



Power Fixed-2000

Non-Overloading Blowers



Your Clean Air Source!

PEERLESS BLOWERS

AFFILIATE OF **HBD** INDUSTRIES, INC.

PEERLESS ELECTRIC “POWER FIXED – 2000” NON OVERLOADING BLOWERS



The Peerless Electric “Power Fixed – 2000” non-overloading blower is built for the many applications required by both commercial and industrial users. The backwardly inclined flat blade construction produces a high efficiency blower ideal for medium and high pressure applications. This highly efficient design provides for extremely quiet operation.

Each blower housing is continuously welded for sturdy construction. Only rugged duty cast iron housed bearings are installed in the “Power Fixed – 2000” blower. Shafts of nonsulpharized carbon steel are precisely turned, ground and polished for a precision fit. Each wheel is statically and dynamically balanced for optimum trouble-free performance and longevity. The “Power Fixed –2000” non-overloading blower is built with dependability and minimum maintenance in mind.

Wheel sizes run from 10-1/2” thru 24-1/2” for single units and are available in a AMCA construction classes. Our many accessories and arrangements allow for various individualized applications.

CERTIFIED PERFORMANCE RATING

Peerless Electric/Madison Manufacturing Co. certifies that the “Power Fixed 2000” single width, single inlet blowers shown herein on pages 6-23 are licensed to bear the AMCA Seal. The ratings shown are based on tests and procedures performed in accordance with AMCA Publication 211 and comply with the requirements of the AMCA Certified Ratings Program.



POWER FIXED – 2000 WHEELS

Wheels in Power Fixed – 2000 blowers are of a new advanced design for high static efficiency and low noise level operation. The blades are die cut and are arc welded in special fixtures to a true aerodynamically shaped spun cone. Hubs of streamlined design are heavy cast iron with accurately machined bore and keyway. Back of hub is machined to fit concentrically with back plate. Hub is riveted to back plate by heavy duty hydraulic riveters. The wheel assembly, when finished, becomes a perfect one-piece construction ready for years of quiet and efficient air moving.



STATIC AND DYNAMIC BALANCING

Completed wheel assemblies of all sizes are statically and dynamically balanced on electronically controlled balancing machines. The necessary weights are arc welded into place so that the wheel will always stay in balance.

After the complete blowers are assembled, they are all given a running-in inspection and again examined for balance by a portable electronic balancing unit. Inspectors add balance weights to the wheel if necessary to pass a very rigid design requirement.

POWER FIXED DUCT TYPE INLET VANE CORRECTIONS FOR SINGLE WIDTH AND DOUBLE WIDTH UNITS

The ducted inlet vane corrections for BI centrifugal blowers are with the vanes fully open.

Due to additional losses at the fan inlet caused by the installation of variable inlet vanes, a slight correction above catalog RPM and BHP ratings is necessary to reach design performance.

Correction Factors:

Design RPM x 1.03

Design BHP x 1.08

Example:

BI245 SWSI, Class I is to operate at 6570 CFM at 3" S.P.

Step 1: Through interpolation, establish the design RPM and BHP of the unit from the performance tables for this unit it would be 1177 RPM and 4.39 BHP.

Step 2: Multiply design RPM and BHP by the correction factors to determine the required RPM and BHP for a fan with ducted type inlet vanes

Example:

1177 (Design RPM) x 1.03 =

1212 (Corrected RPM)

4.39 (Design BHP) x 1.08 =

4.74 (Corrected BHP)

Fan Selection:

BI245 SWSI, Class I to deliver 6570 CFM at 3" S.P. with duct type inlet vanes requires 1212 RPM and 4.74 BHP

Caution: Check RPM and BHP to insure they do not exceed selected blower class or motor horsepower

STANDARDS ADOPTED FOR SPARK-RESISTANT FANS AMCA STANDARD 99-0401-86

Spark Resistant – Type A:

AMCA Standards require that all parts of the fan in contact with the air or gas being handled shall be made of non-ferrous material.

Spark Resistant – Type B:

AMCA Standards require the fan to have the wheel and ring about the opening through which the shaft passes of non-ferrous material. Ferrous hubs, shafts and hardware are permitted. Fans for this condition are furnished with a non-ferrous wheel (except hub and hardware) and a non-ferrous rubbing plate or non-ferrous shaft seal around the shaft opening

Spark Resistant – Type C:

AMCA Standards require the fan to be so constructed that a shift of the wheel or shaft will not permit two ferrous parts of the fan to rub or strike. Fans for this condition will be furnished with a non-ferrous inlet cone and rubbing plate around the shaft opening.

Note: **NOTE:** For all type spark resistant fans, the user shall electrically ground all fan parts. Bearings shall not be placed in the air or gas stream. A non-ferrous material shall be any material with less than 5% iron on any other material with demonstrated ability to be spark resistant

The use of these constructions in no way implies a guarantee of safety for any level of spark resistance. Spark resistant construction does not protect against ignition of explosive gases caused by catastrophic failure or from any airstream material that may be present in a system.

Sparkproof construction available for SWSI units in arrangements 1,2,8,9, and 10 only

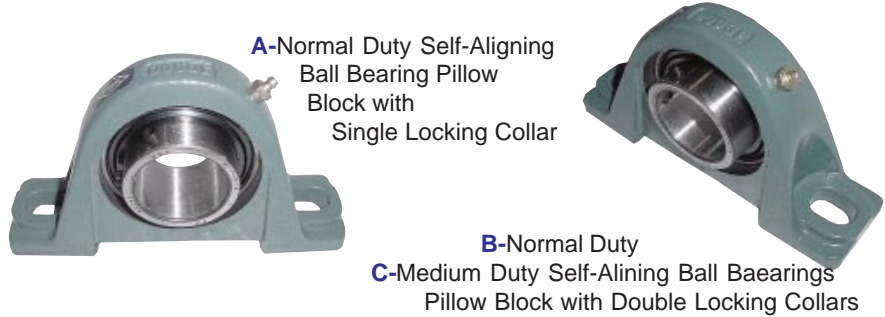
PEERLESS ELECTRIC "POWER FIXED-2000" NON-OVERLOADING BLOWERS

MATERIAL SPECIFICATIONS

Model No.	Class	Shaft Diameter			Housing Gauges			Frame Gauges		DWDI
		SWSI	DWDI		Band		Face	SWSI		
		Arg't. 1, 8 & 9 Brg. and Wheel	Arg't. 3 & 7		SWSI	DWDI	SWSI DWDI	Drive Side	Inlet Side	
	Brg.	Wheel								
B1105	1	3/4	-	-	20	-	16	16	-	-
	2	1	-	-	20	-	16	16	-	-
B1122	1	1	1-3/16	1-3/16	16	16	16	14	16	14
	2	1-3/16	1-7/16	1-7/16	16	14	16	14	16	14
B1135	1	1	1-3/16	1-7/16	16	14	14	14	16	14
	2	1-3/16	1-7/16	1-11/16	16	14	14	14	16	14
B1150	1	1	1-7/16	1-7/16	16	14	14	14	16	14
	2	1-3/16	1-11/16	1-15/16	16	14	14	14	16	14
B1165	1	1	1-7/16	1-11/16	16	14	14	14	16	14
	2	1-3/16	1-15/16	1-15/16	16	14	14	14	16	14
B1182	1	1-3/16	1-11/16	1-11/16	16	14	14	14	14	14
	2	1-7/16	1-15/16	1-15/16	16	14	14	14	14	14
B1200	1	1-3/16	1-11/16	1-15/16	14	14	14	12	14	12
	2	1-7/16	2-3/16	2-3/16	14	14	14	12	14	12
B1222	1	1-3/16	1-15/16	1-15/16	14	14	12	12	14	12
	2	1-11/16	2-3/16	2-3/16	14	14	12	12	14	12
B1245	1	1-7/16	1-15/16	2-3/16	14	14	12	12	12	12
	2	1-11/16	2-7/16	2-7/16	14	14	12	12	12	12

HEAVY DUTY ANTI-FRICTION BEARINGS

Power Fixed – 2000 blowers are equipped with self-aligning single row ball bearings pillow blocks.



Computerized selections have been made on all bearings based on radial, thrust and combined loads to give 100,000 average life hours (AFBMA L_{50}) at the maximum design of each blower class.

Bearings selected have effective seals to retain the lubricant and to prevent contamination. All have grease fittings for relubrication.

The table shows the type of bearings used for each unit.

Peerless Electric / Madison Manufacturing Co. reserves the right to change bearings of equal ratings.

Model No.	Arrangement 1, 8 & 9 SWSI Bearing		Arrangement 3 & 7 DWDI Bearing	
	Class I	Class II	Class I	Class II
B1105	A	A	-	-
B1122	A	A	A	A
B1135	A	A	A	C
B1150	A	A	A	C
B1165	A	A	A	C
B1182	A	A	A	C
B1200	A	A	A	C
B1222	A	B	A	C
B1245	A	B	A	C

Temperature Operating Limits Temperature RPM Derating Factors in Percent:			
Steel Wheel		Aluminum Wheel	
300°F	100%	150°F	100%
301-400°F	96%	151-200°F	95%
401-500°F	92%	201-250°F	80%
501-600°F	85%		

POWER FIXED-2000 ACCESSORIES

Belt Guards: For DWDI blowers are constructed of heavy expanded metal mesh with welded steel frames. Belt guards for SWSI blowers may be furnished of solid sheet metal construction.



Inlet Screen: Where no ductwork is connected to the unit, heavy gauge expanded metal screen is desirable to protect personnel.



V-Belt drive: Top quality drives with adjustable or fixed driving sheave, driven companion sheave and belts can be supplied in all practical ratios meeting design service factors.

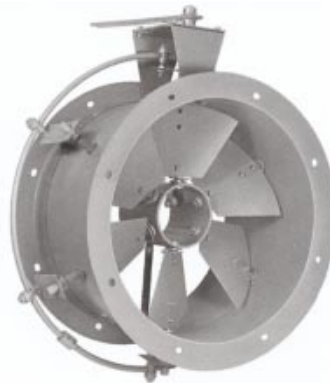


Access Door: Bolted and quick opening access doors are available, if required, to facilitate impeller inspection.

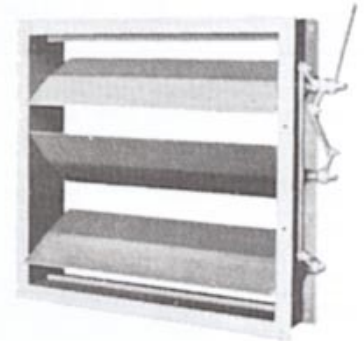


Bolted Type

Radial Inlet Vanes: Duct type inlet vanes as illustrated below are available on sizes BI122 thru BI245. Vanes can be operated manually or by automatic control devices. Vanes for manual operation are equipped with quadrant and locking device.



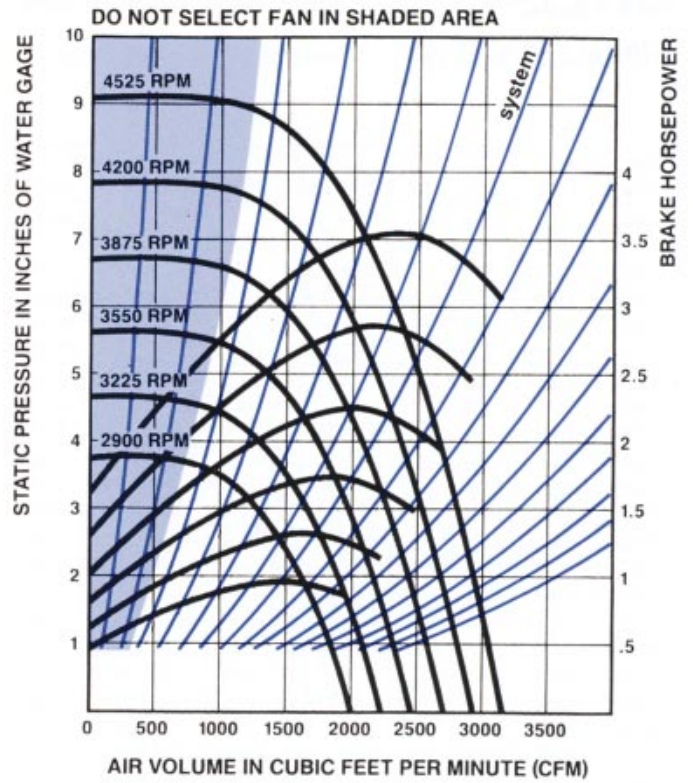
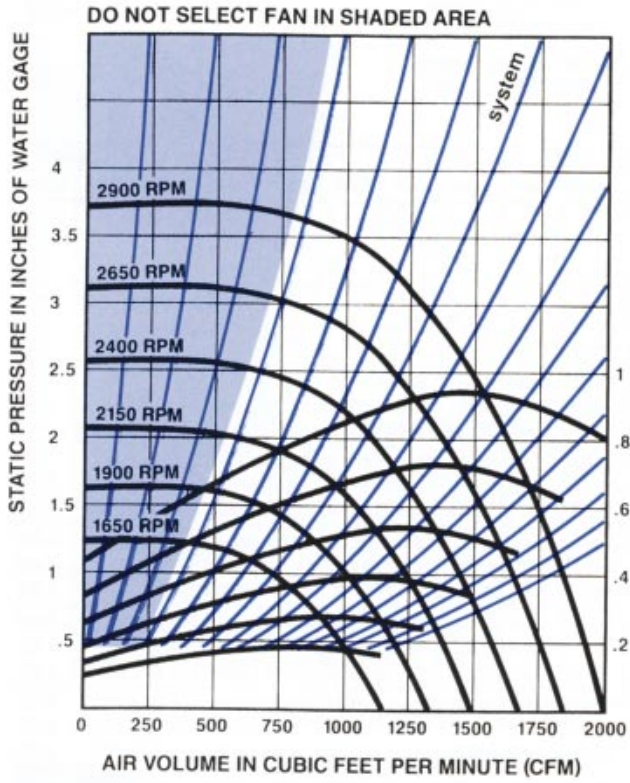
Outlet Dampers: Available for all blowers in steel, aluminum or corrosion resistant material. Furnished either for manual or motorized operation.



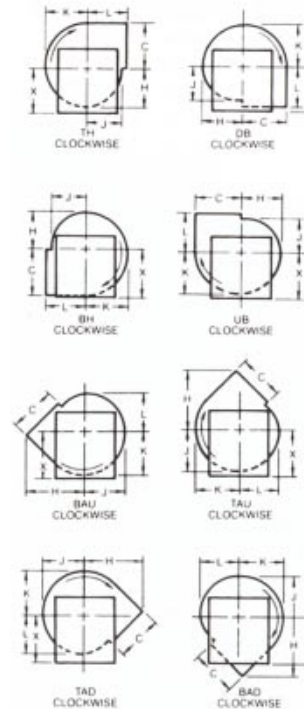
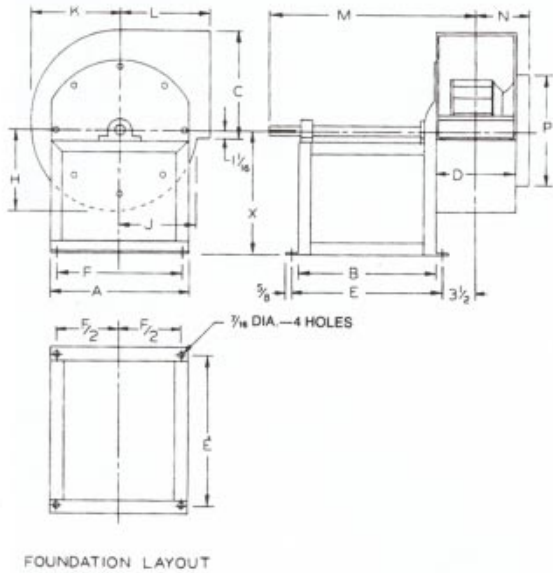
Quick Opening Type

Heat Slinger: At temperatures above 250° F., a heat slinger is used to dissipate heat transmitted through the shaft, thus protecting the bearings from overheating.





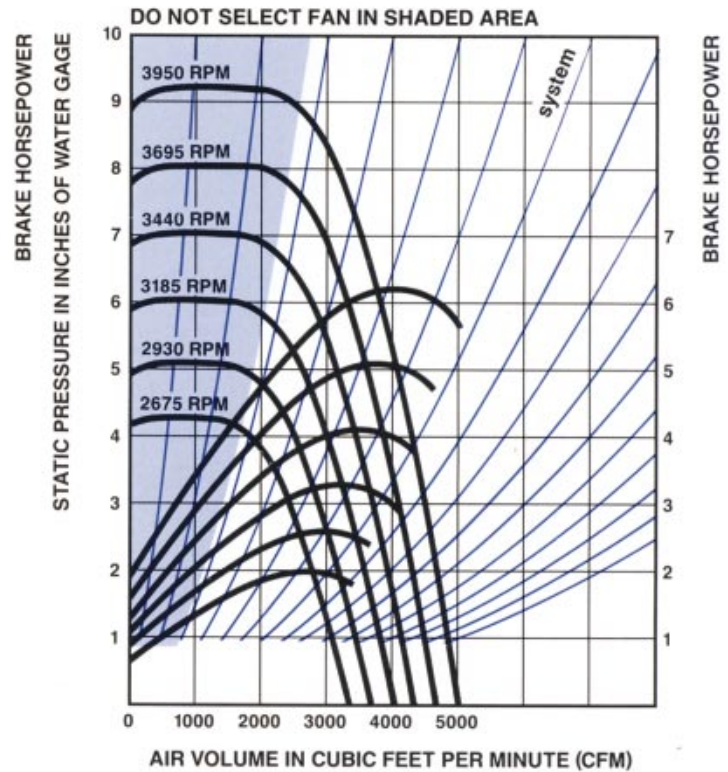
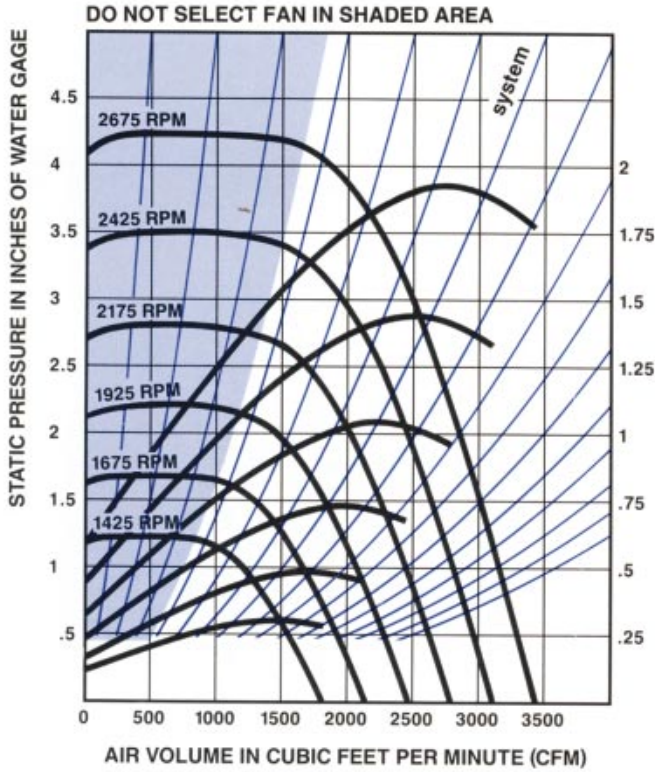
ARRANGEMENT 1



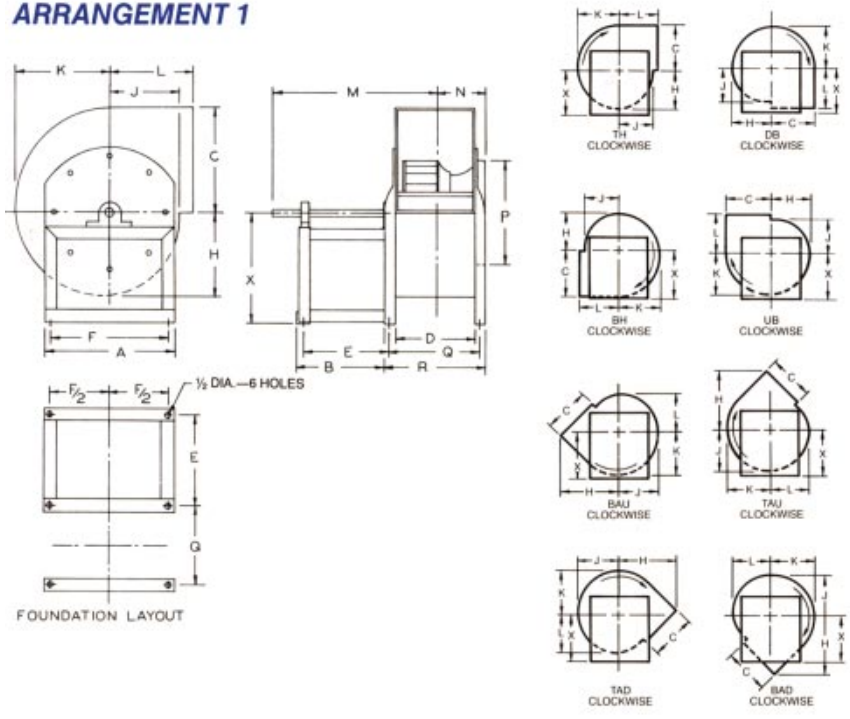
ARRANGEMENT 1-SWSI-CLASS I & II

MODEL NO.	WHL. DIA.	CLASS	SHAFT EXT. DIA.	KEYWAY	TH, DB, BH, UB STRAIGHT DISCH.						BAU, TAU, TAD, BAD ANGULAR DISCH.				M	N	P	Q	R	X				
					A	B	C	D	E	F	H	J	K	L										
BI105	10-1/2	CLASS I	3/4	3/16 X 3/32 X 1-3/4	12-7/8	13	11-3/4	8	14-1/4	10-3/4	7-7/8	6-3/4	9-1/8	8-1/16	13-1/4	8-7/8	9-5/8	7-1/8	19-5/8	6	12-7/8	-	-	14
BI105	10-1/2	CLASS II	1	1/4 X 1/8 X 2-1/2	12-7/8	13	11-3/4	8	14-1/4	10-3/4	7-7/8	6-3/4	9-1/8	8-1/16	13-1/4	8-7/8	9-5/8	7-1/8	20-3/4	6	12-7/8	-	-	14

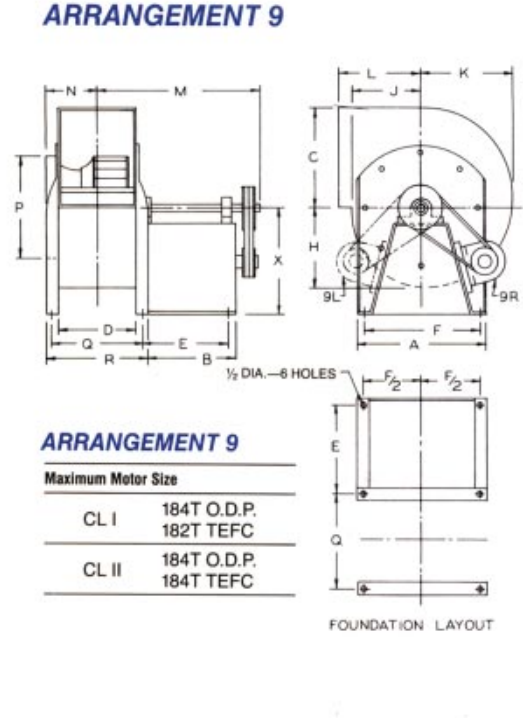
Note: Letters "C" and "D" are outside housing dimensions.



ARRANGEMENT 1



ARRANGEMENT 9



ARRANGEMENT 1 & 9-SWSI-CLASS I & II

MODEL NO.	WHL. DIA.	CLASS	SHAFT EXT. DIA.	KEYWAY	TH, DB, BH, UB STRAIGHT DISCH.										BAU, TAU, TAD, BAD ANGULAR DISCH.									
					A	B	C	D	E	F	H	J	K	L	H	J	K	L	M	N	P	Q	R	X
BI122	12-1/4	CLASS I	1	1/4 X 1/8 X 3-1/2	16-3/8	13-1/2	13-1/4	9-5/8	13-1/2	14-3/4	10-1/8	8-1/2	11-1/2	10-1/2	16-5/8	10-3/4	12-1/2	9-1/8	23-7/8	6-3/8	13-1/4	11-1/4	12-3/4	17
BI122	12-1/4	CLASS II	1-3/16	1/4 X 1/8 X 3-1/2	16-3/8	13-1/2	13-1/4	9-5/8	15-1/2	14-3/4	10-1/8	8-1/2	11-1/2	10-1/2	16-5/8	10-3/4	12-1/2	9-1/8	25-7/8	6-3/8	13-1/4	11-1/4	12-3/4	17

Note: Letters "C" and "D" are outside housing dimensions.

PEERLESS ELECTRIC "POWER FIXED 2000" PERFORMANCE TABLE

BI135-1

SINGLE-WIDTH

TIP SPEED(FPM)=3.534xRPM

OUTLET(1.049Sq.Ft. Inside)

MAX.HP=1567(RPM/1000)3

14 5/8"x10 3/4" Outside

MAX.RPI

WHEEL DIAMETER=13 1/2"

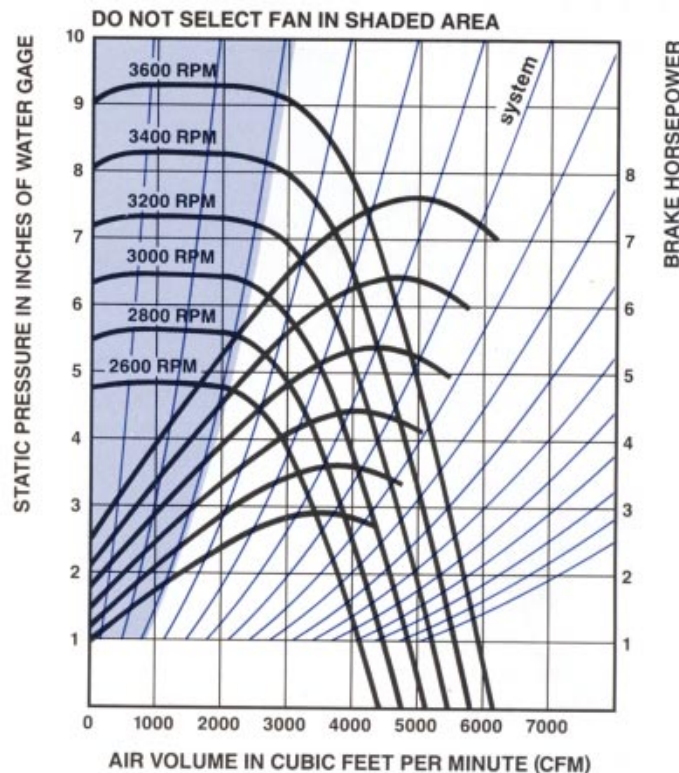
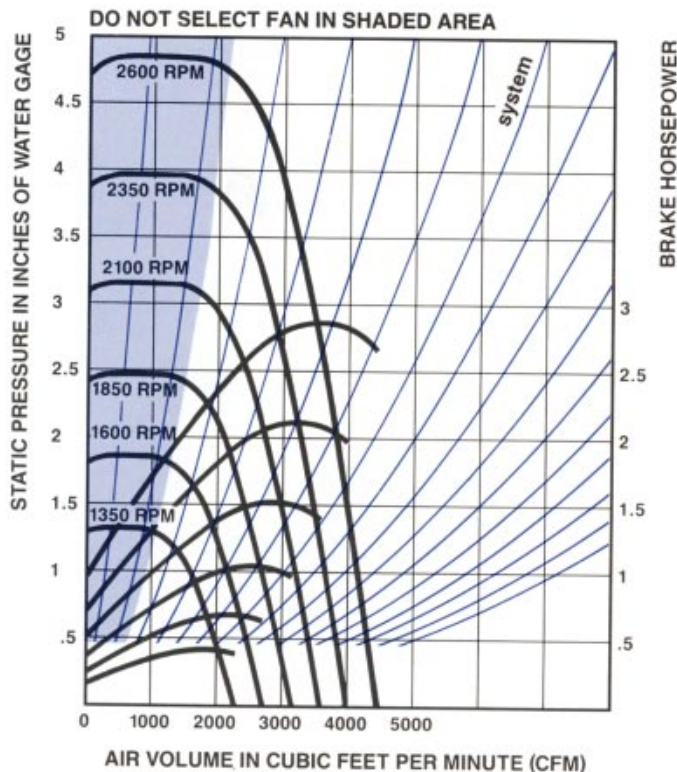
INLET (1.108 Sq.Ft. Inside)

CL.1 2702

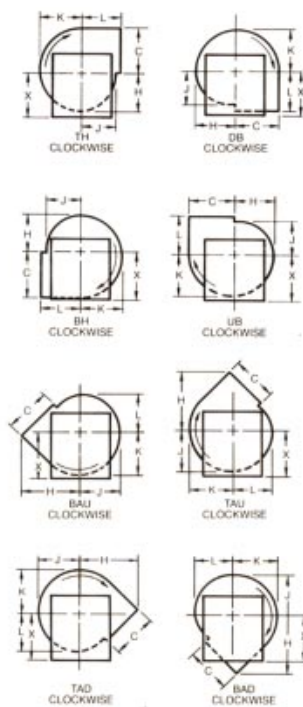
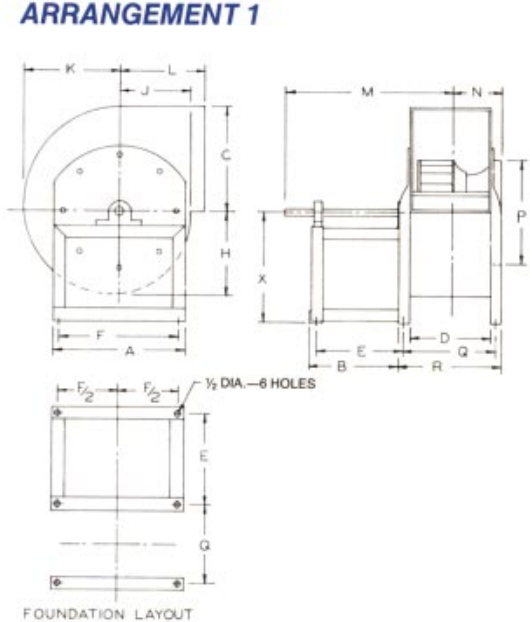
14 1/2" Dia. Outside

CL.2 3524

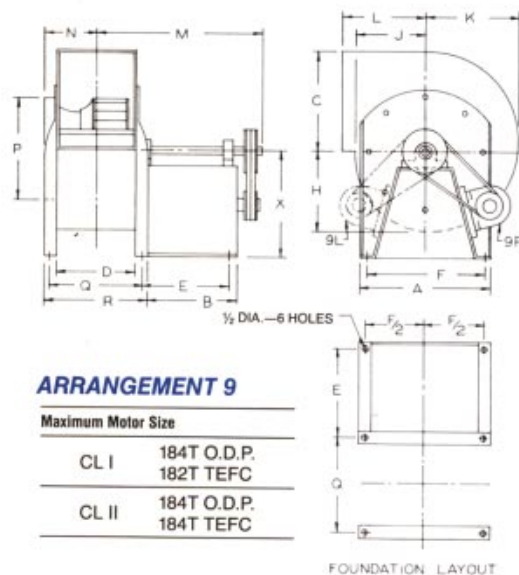
VOL CFM	VEL FPM	.25 SP		.5 SP		.75 SP		1 SP		1.25 SP		1.5 SP		2 SP		2.5 SP		3 SP		3.5 SP	
		RPM	BHP	RPM	BHP	RPM	BHP	RPM	BHP	RPM	BHP	RPM	BHP	RPM	BHP	RPM	BHP	RPM	BHP	RPM	BHP
839	800	686	0.05	867	0.10	-	-	-	-	-	-	-	-	-	-	-	-	-	-	-	-
944	900	730	0.06	890	0.11	-	0.16	-	-	-	-	-	-	-	-	-	-	-	-	-	-
1049	1000	777	0.08	921	0.12	1048	0.18	1205	0.24	-	-	-	-	-	-	-	-	-	-	-	-
1154	1100	827	0.09	958	0.14	1090	0.20	1220	0.26	1345	0.34	-	-	-	-	-	-	-	-	-	-
1259	1200	878	0.11	999	0.16	1120	0.22	1241	0.29	1359	0.36	1473	0.44	-	-	-	-	-	-	-	-
1364	1300	930	0.13	1044	0.19	1155	0.25	1267	0.31	1378	0.39	1486	0.47	-	-	-	-	-	-	-	-
1469	1400	948	0.15	1092	0.21	1195	0.27	1298	0.34	1402	0.42	1504	0.50	1702	0.68	-	-	-	-	-	-
1574	1500	1037	0.18	1141	0.24	1237	0.31	1334	0.38	1430	0.45	1527	0.54	1716	0.72	1897	0.93	-	-	-	-
1678	1600	1092	0.21	1192	0.28	1283	0.34	1373	0.42	1463	0.49	1554	0.58	1733	0.77	1907	0.97	-	-	-	-
1783	1700	1148	0.24	1243	0.31	1330	0.38	1415	0.46	1500	0.54	1585	0.62	1755	0.81	1922	1.02	2083	1.25	-	-
1888	1800	1205	0.27	1296	0.35	1379	0.43	1459	0.51	1539	0.59	1620	0.67	1781	0.86	1940	1.08	2096	1.30	2247	1.55
1993	1900	1263	0.31	1348	0.39	1429	0.48	1506	0.56	1581	0.64	1657	0.73	1810	0.92	1962	1.13	2112	1.37	2258	1.61
2098	2000	1321	0.36	1402	0.44	1480	0.53	1554	0.61	1626	0.70	1698	0.79	1843	0.98	1988	1.20	2131	1.43	2272	1.68
2203	2100	1379	0.41	1456	0.49	1532	0.58	1603	0.67	1672	0.76	1741	0.86	1878	1.05	2016	1.27	2154	1.50	2290	1.76
2308	2200	1437	0.46	1510	0.55	1584	0.64	1654	0.74	1720	0.83	1785	0.93	1916	1.13	2048	1.34	2180	1.58	2311	1.84
2413	2300	1495	0.52	1566	0.61	1637	0.70	1705	0.8	1769	0.90	1832	1.00	1957	1.21	2082	1.43	2209	1.67	2334	1.92
2518	2400	1552	0.58	1622	0.67	1690	0.77	1756	0.88	1819	0.98	1879	1.08	1999	1.29	2119	1.52	2240	1.76	2361	2.02
2727	2600	1668	0.72	1736	0.82	1798	0.92	1861	1.04	1920	1.15	1978	1.26	2089	1.49	2199	1.72	2311	1.96	2422	2.22
2937	2800	1787	0.88	1851	0.99	1908	1.10	1967	1.22	2024	1.34	2079	1.46	2184	1.70	2287	1.94	2389	2.20	2493	2.46
3147	3000	1909	1.07	1967	1.18	2020	1.30	2075	1.42	2130	1.55	2182	1.68	2282	1.94	2379	2.20	2475	2.46	2571	2.73
3357	3200	2030	1.28	2083	1.40	2135	1.52	2185	1.65	2236	1.79	2287	1.92	2384	2.20	2475	2.48	2566	2.75	2655	3.04
3567	3400	2150	1.52	2199	1.64	2250	1.78	2297	1.91	2345	2.05	2393	2.19	2487	2.49	2575	2.78	2660	3.08	2745	3.37
VOL CFM	VEL FPM	4 SP		4.5 SP		5 SP		5.5 SP		6 SP		6.5 SP		7 SP		7.5 SP		8 SP		8.5 SP	
2203	2100	2423	2.03	2553	2.31	2681	2.60	-	-	-	-	-	-	-	-	-	-	-	-	-	-
2308	2200	2440	2.11	2566	2.39	2690	2.69	-	-	-	-	-	-	-	-	-	-	-	-	-	-
2413	2300	2459	2.20	2582	2.48	2702	2.78	2821	3.10	2936	3.42	-	-	-	-	-	-	-	-	-	-
2518	2400	2481	2.29	2600	2.58	2717	2.88	2833	3.20	2946	3.53	3057	3.86	-	-	-	-	-	-	-	-
2727	2600	2534	2.50	2645	2.80	2755	3.10	2864	3.42	2972	3.76	3078	4.10	3183	4.45	3285	4.82	-	-	-	-
2937	2800	2596	2.74	2700	3.04	2803	3.35	2906	3.68	3008	4.01	3109	4.36	3209	4.72	3307	5.09	3405	5.47	3501	5.86
3147	3000	2667	3.02	2764	3.32	2861	3.63	2957	3.96	3054	4.30	3149	4.66	3244	5.02	3338	5.39	3431	5.78	3524	6.17
3357	3200	2745	3.33	2836	3.63	2927	3.95	3017	4.28	3108	4.62	3198	4.98	3288	5.35	3378	5.73	3467	6.12	3555	6.52
3567	3400	2830	3.67	2914	3.98	2999	4.30	3085	4.64	3170	4.98	3256	5.34	3341	5.71	3426	6.10	3510	6.49	3595	6.90
3776	3600	2919	4.05	2998	4.37	3079	4.70	3159	5.03	3239	5.38	3320	5.75	3401	6.12	3481	6.51	3562	6.91	3642	7.32
3986	3800	3012	4.46	3087	4.79	3163	5.13	3239	5.47	3315	5.83	3391	6.19	3467	6.57	3544	6.96	3620	7.36	3697	7.77
4196	4000	3108	4.90	3180	5.25	3252	5.60	3324	5.95	3396	6.31	3468	6.69	3540	7.07	3613	7.46	3685	7.86	3758	8.28
4406	4200	3207	5.38	3276	5.74	3344	6.10	3413	6.47	3481	6.84	3550	7.22	3618	7.61	3687	8.00	3756	8.41	3825	8.83
4616	4400	3307	5.89	3374	6.27	3440	6.65	3505	7.03	3570	7.41	3636	7.80	3701	8.19	3767	8.60	3832	9.01	3898	9.43
4825	4600	3409	6.44	3474	6.83	3538	7.23	3600	7.62	3663	8.02	3726	8.42	3788	8.83	3851	9.24	3913	9.66	3976	10.08
5035	4800	3512	7.02	3576	7.44	3637	7.85	3698	8.26	3758	8.67	3818	9.09	3878	9.50	3938	9.93	3998	10.35	4058	10.79
5245	5000	3617	7.64	3678	8.07	3739	8.50	3798	8.93	3856	9.36	3914	9.79	3971	10.22	4029	10.66	4086	11.10	4144	11.54
5455	5200	3722	8.30	3782	8.75	3841	9.20	3899	9.65	3955	10.10	4011	10.54	4067	10.99	4122	11.44	4178	11.89	4233	12.34
5665	5400	3827	8.99	3887	9.47	3944	9.94	4001	10.40	4056	10.87	4111	11.33	4165	11.80	4218	12.26	4272	12.72	4325	13.19
VOL CFM	VEL FPM	9 SP		9.5 SP		10 SP		10.5 SP		11 SP		11.5 SP		12 SP		12.5 SP		13 SP		13.5 SP	
3147	3000	3615	6.58	3705	6.99	3793	7.41	-	-	-	-	-	-	-	-	-	-	-	-	-	-
3357	3200	3642	6.93	3729	7.35	3815	7.77	3900	8.21	3984	8.65	4067	9.11	-	-	-	-	-	-	-	-
3567	3400	3678	7.31	3761	7.74	3844	8.17	3926	8.61	4007	9.06	4087	9.52	4167	9.98	4245	10.46	4323	10.94	-	-
3776	3600	3722	7.74	3801	8.17	3880	8.60	3959	9.05	4037	9.50	4115	9.97	4192	10.44	4268	10.92	4344	11.40	4419	11.90
3986	3800	3773	8.20	3849	8.63	3924	9.07	4000	9.53	4075	9.99	4149	10.45	4224	10.93	4297	11.42	4370	11.91	4443	12.41
4196	4000	3831	8.70	3903	9.14	3975	9.59	4047	10.04	4119	10.51	4191	10.98	4262	11.46	4333	11.95	4404	12.45	4474	12.96
4406	4200	3895	9.26	3964	9.70	4033	10.14	4102	10.60	4171	11.07	4239	11.55	4308	12.04	4376	12.53	4444	13.04	4512	13.55
4616	4400	3964	9.86	4030	10.30	4096	10.75	4162	11.22	4228	11.69	4294	12.17	4360	12.66	4425	13.16	4491	13.67	4556	14.18
4825	4600	4039	10.52	4102	10.96	4165	11.42	4228	11.88	4291	12.36	4354	12.84	4417	13.33	4480	13.83	4543	14.34	4606	14.86
5035	4800	4118	11.23	4178	11.68	4239	12.14	4299	12.60	4360	13.08	4420	13.57	4481	14.06	4541	14.57	4601	15.08	4662	15.60
5245	5000	4201	11.99	4259	12.45	4317	12.91	4375	13.38	4433	13.86	4491	14.35	4549	14.85	4607	15.36	4665	15.87	4723	16.40
5455	5200	4288	12.80	4343	13.27	4399	13.74	4454	14.22	4510	14.70	4566	15.20	4621	15.70	4677	16.21	4733	16.72	4789	17.25
5665	5400	4378	13.66	4431	14.14	4484	14.62	4538	15.11	4591	15.60	4645	16.10	4698	16.60	4752	17.12	4805	17.64	4859	18.17



ARRANGEMENT 1



ARRANGEMENT 9



ARRANGEMENT 1 & 9-SWSI-CLASS I & II

MODEL NO.	WHL. DIA.	CLASS	SHAFT EXT. DIA.	KEYWAY	A	B	C	D	E	F	TH, DB, BH, UB STRAIGHT DISCH.				BAU, TAU, TAD, BAD ANGULAR DISCH.				M	N	P	Q	R	X
											H	J	K	L	H	J	K	L						
BI135	13-1/2	CLASS I	1	1/4 X 1/8 X 3-1/2	17-5/8	13-1/2	14-5/8	10-3/4	13-1/2	16	11-1/8	9-3/8	12-5/8	11-3/8	18-1/4	11-7/8	13-3/4	10	24-3/8	7	14-1/2	12-3/8	13-7/8	17
BI135	13-1/2	CLASS II	1-3/16	1/4 X 1/8 X 3-1/2	17-5/8	15-1/2	14-5/8	10-3/4	15-1/2	16	11-1/8	9-3/8	12-5/8	11-3/8	18-1/4	11-7/8	13-3/4	10	26-3/8	7	14-2	12-3/8	13-7/8	17

Note: Letters "C" and "D" are outside housing dimensions.

PEERLESS ELECTRIC "POWER FIXED 2000" PERFORMANCE TABLE

BI150-1
SINGLE-WIDTH

TIP SPEED(FPM)=3.927xRPM

OUTLET(2.280 Sq.Ft. Inside)
16 1/4"x11 3/4" Outside

MAX.HP=2575(RPM/1000)3

WHEEL DIAMETER=15"

INLET (1.374 Sq.Ft. Inside)
16 1/8" Dia. Outside

MAX.RPM
CL.1 2458
CL.2 3205
CL.3 4043

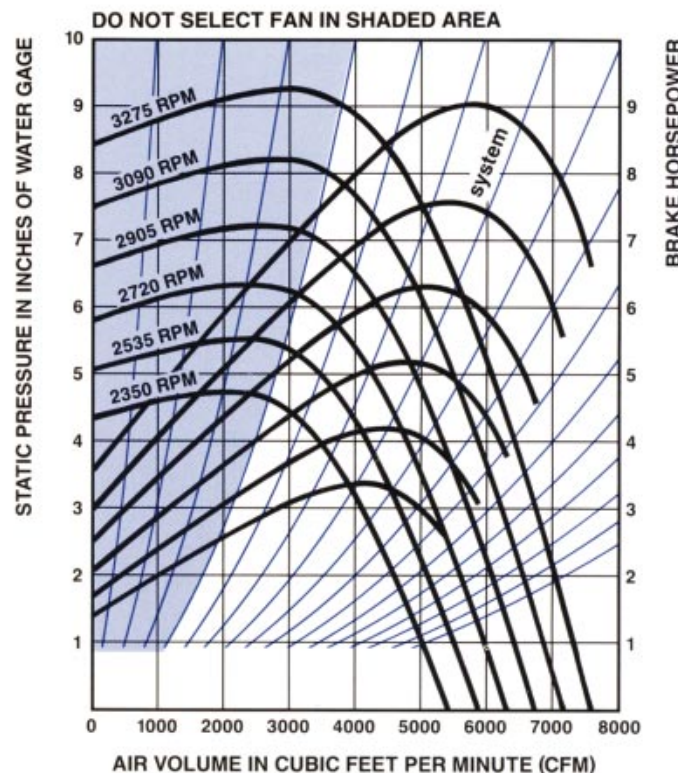
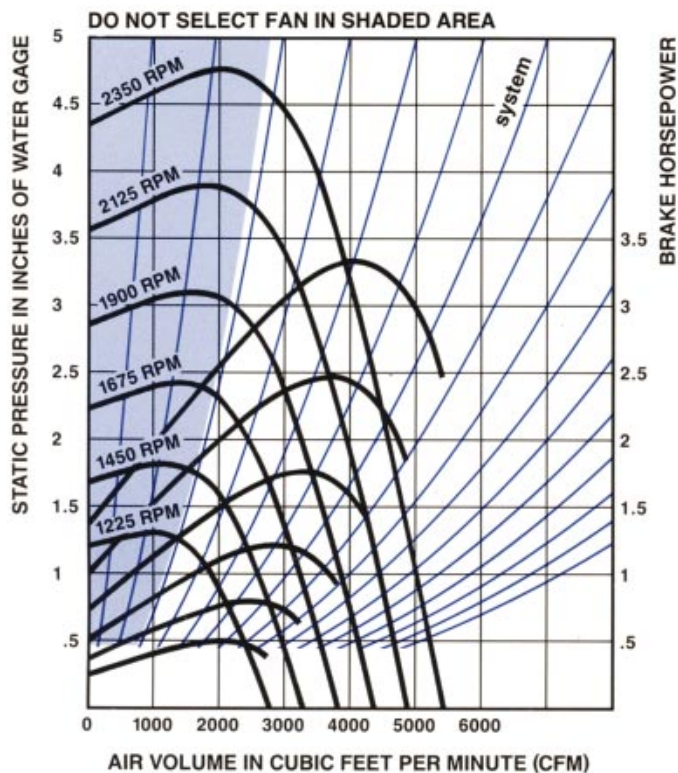
VOL CFM	VEL FPM	.25 SP		.5 SP		.75 SP		1 SP		1.25 SP		1.5 SP		2 SP		2.5 SP		3 SP		3.5 SP	
		RPM	BHP	RPM	BHP	RPM	BHP	RPM	BHP	RPM	BHP	RPM	BHP	RPM	BHP	RPM	BHP	RPM	BHP	RPM	BHP
1024	800	631	0.06	791	0.11	-	-	-	-	-	-	-	-	-	-	-	-	-	-	-	-
1152	900	670	0.08	816	0.13	954	0.20	-	-	-	-	-	-	-	-	-	-	-	-	-	-
1280	1000	712	0.09	846	0.15	973	0.21	1095	0.30	-	-	-	-	-	-	-	-	-	-	-	-
1408	1100	757	0.11	880	0.17	998	0.24	1112	0.32	1222	0.42	-	-	-	-	-	-	-	-	-	-
1536	1200	803	0.13	918	0.20	1028	0.27	1135	0.34	1238	0.43	1338	0.55	-	-	-	-	-	-	-	-
1664	1300	850	0.15	959	0.22	1061	0.30	1161	0.38	1259	0.46	1353	0.57	-	-	-	-	-	-	-	-
1792	1400	898	0.18	1001	0.25	1098	0.34	1192	0.42	1283	0.51	1373	0.60	1546	0.85	-	-	-	-	-	-
1920	1500	947	0.20	1045	0.29	1136	0.37	1225	0.46	1312	0.55	1397	0.65	1562	0.87	-	-	-	-	-	-
2048	1600	997	0.23	1091	0.33	1177	0.41	1261	0.51	1343	0.61	1424	0.70	1582	0.91	1734	1.20	-	-	-	-
2176	1700	1047	0.27	1137	0.37	1220	0.46	1300	0.56	1378	0.66	1455	0.76	1605	0.97	1751	1.23	1892	1.56	-	-
2304	1800	1099	0.31	1184	0.41	1264	0.51	1340	0.61	1414	0.72	1487	0.83	1631	1.05	1771	1.29	1907	1.59	-	-
2432	1900	1151	0.35	1232	0.46	1309	0.57	1382	0.67	1453	0.78	1523	0.90	1660	1.13	1795	1.36	1925	1.64	2053	1.98
2560	2000	1203	0.39	1280	0.51	1355	0.63	1425	0.73	1493	0.84	1560	0.96	1692	1.21	1821	1.45	1947	1.71	2070	2.03
2688	2100	1256	0.44	1329	0.57	1401	0.69	1469	0.80	1534	0.92	1599	1.04	1725	1.30	1849	1.55	1971	1.81	2089	2.10
2816	2200	1309	0.49	1378	0.62	1448	0.76	1514	0.88	1577	0.99	1639	1.12	1760	1.38	1880	1.65	1997	1.92	2112	2.20
2944	2300	1362	0.55	1428	0.69	1496	0.83	1560	0.95	1621	1.08	1681	1.20	1797	1.48	1912	1.76	2025	2.03	2136	2.32
3072	2400	1415	0.61	1479	0.76	1544	0.90	1606	1.04	1666	1.17	1723	1.30	1836	1.57	1947	1.87	2056	2.16	2163	2.45
3328	2600	1521	0.75	1582	0.91	1641	1.06	1701	1.22	1757	1.36	1812	1.50	1917	1.79	2021	2.10	2122	2.42	2223	2.73
3584	2800	1629	0.91	1687	1.08	1741	1.25	1797	1.42	1851	1.58	1903	1.73	2003	2.03	2100	2.35	2195	2.69	2290	3.03
3840	3000	1740	1.10	1792	1.28	1842	1.45	1894	1.64	1946	1.82	1996	1.99	2091	2.31	2183	2.64	2273	2.98	2362	3.35
4096	3200	1850	1.31	1898	1.50	1946	1.68	1994	1.88	2042	2.07	2090	2.26	2182	2.62	2269	2.96	2355	3.31	2439	3.69
4352	3400	1953	1.52	2004	1.74	2050	1.94	2095	2.14	2140	2.35	2186	2.56	2274	2.95	2358	3.31	2440	3.68	2520	4.06
VOL CFM	VEL FPM	4 SP		4.5 SP		5 SP		5.5 SP		6 SP		6.5 SP		7 SP		7.5 SP		8 SP		8.5 SP	
2688	2100	2206	2.46	2320	2.87	-	-	-	-	-	-	-	-	-	-	-	-	-	-	-	-
2816	2200	2225	2.53	2335	2.91	2443	3.35	-	-	-	-	-	-	-	-	-	-	-	-	-	-
2944	2300	2246	2.63	2353	2.99	2458	3.40	2562	3.86	-	-	-	-	-	-	-	-	-	-	-	-
3072	2400	2269	2.75	2373	3.09	2476	3.48	2576	3.92	2675	4.40	-	-	-	-	-	-	-	-	-	-
3328	2600	2322	3.04	2420	3.36	2517	3.71	2613	4.10	2707	4.54	2799	5.03	2890	5.55	-	-	-	-	-	-
3584	2800	2383	3.37	2476	3.71	2567	4.05	2657	4.40	2747	4.80	2835	5.23	2922	5.71	3008	6.23	3093	6.80	-	-
3840	3000	2450	3.72	2537	4.08	2624	4.44	2710	4.80	2794	5.17	2878	5.57	2961	6.00	3044	6.47	3125	6.99	3205	7.54
4096	3200	2522	4.08	2605	4.47	2687	4.86	2768	5.24	2849	5.63	2929	6.02	3008	6.42	3087	6.85	3164	7.32	3241	7.82
4352	3400	2599	4.46	2677	4.88	2755	5.29	2833	5.71	2909	6.12	2985	6.53	3061	6.93	3136	7.35	3211	7.79	3284	8.25
4608	3600	2680	4.89	2754	5.31	2828	5.75	2902	6.19	2975	6.63	3048	7.07	3120	7.50	3192	7.93	3263	8.36	3334	8.81
4864	3800	2763	5.35	2835	5.78	2905	6.23	2975	6.70	3045	7.16	3115	7.63	3184	8.09	3252	8.55	3320	9.00	3388	9.46
5120	4000	2850	5.86	2918	6.30	2986	6.76	3053	7.23	3120	7.72	3186	8.21	3252	8.70	3318	9.19	3383	9.67	3448	10.15
5376	4200	2938	6.41	3004	6.86	3069	7.33	3133	7.81	3197	8.31	3261	8.82	3324	9.33	3387	9.85	3450	10.36	3512	10.87
5632	4400	3028	7.00	3092	7.47	3155	7.95	3217	8.44	3278	8.94	3339	9.46	3400	9.99	3461	10.53	3521	11.07	3581	11.61
5888	4600	3120	7.64	3182	8.13	3242	8.62	3302	9.12	3361	9.63	3420	10.16	3479	10.70	3537	11.25	3595	11.81	3653	12.38
6144	4800	3213	8.31	3273	8.83	3332	9.34	3390	9.85	3447	10.37	3504	10.91	3560	11.46	3616	12.02	3672	12.59	3728	13.17
6400	5000	3306	9.02	3365	9.57	3422	10.10	3479	10.63	3534	11.17	3589	11.71	3644	12.27	3698	12.84	3752	13.42	3806	14.01
6656	5200	3401	9.76	3458	10.34	3514	10.91	3569	11.46	3623	12.02	3677	12.57	3730	13.14	3782	13.72	3835	14.31	3887	14.91
6912	5400	3497	10.54	3553	11.16	3607	11.76	3661	12.34	3714	12.92	3766	13.49	3817	14.07	3868	14.66	3919	15.26	3969	15.87
VOL CFM	VEL FPM	9 SP		9.5 SP		10 SP		10.5 SP		11 SP		11.5 SP		12 SP		12.5 SP		13 SP		13.5 SP	
3840	3000	3285	8.13	3363	8.75	-	-	-	-	-	-	-	-	-	-	-	-	-	-	-	-
4096	3200	3318	8.36	3393	8.94	3468	9.56	3542	10.21	-	-	-	-	-	-	-	-	-	-	-	-
4352	3400	3358	8.74	3430	9.27	3502	9.84	3573	10.45	3644	11.09	3714	11.76	3784	12.45	-	-	-	-	-	-
4608	3600	3404	9.27	3473	9.76	3543	10.28	3611	10.83	3680	11.42	3747	12.05	3814	12.70	3881	13.39	3947	14.11	4013	14.85
4864	3800	3456	9.92	3523	10.39	3589	10.88	3655	11.39	3721	11.93	3786	12.51	3851	13.11	3915	13.75	3979	14.42	4043	15.13
5120	4000	3513	10.63	3577	11.11	3641	11.59	3705	12.09	3768	12.61	3831	13.14	3893	13.70	3955	14.29	4017	14.91	4079	15.56
5376	4200	3575	11.38	3636	11.88	3698	12.38	3759	12.89	3820	13.40	3881	13.92	3941	14.45	4001	15.01	4061	15.59	4120	16.19
5632	4400	3640	12.15	3700	12.68	3759	13.21	3818	13.74	3877	14.26	3935	14.79	3994	15.32	4052	15.87	4109	16.42	4167	17.00
5888	4600	3710	12.94	3768	13.50	3825	14.06	3881	14.62	3938	15.17	3994	15.72	4051	16.27	4107	16.82	4162	17.38	4218	17.95
6144	4800	3793	13.76	3839	14.35	3894	14.94	3948	15.52	4003	16.11	4057	16.69	4112	17.26	4166	17.84	4220	18.41	4273	18.99
6400	5000	3859	14.62	3913	15.23	3966	15.84	4019	16.45	4072	17.07	4124	17.68	4177	18.28	4229	18.89	4281	19.49	4333	20.09
6656	5200	3938	15.52	3990	16.15	4041	16.78	4092	17.41	4143	18.05	4194	18.69	4245	19.33	4295	19.96	4346	20.59	4396	21.22
6912	5400	4019	16.49	4069	17.12	4119	17.77	4168	18.42	4218	19.08	4267	19.74	4316	20.40	4365	21.06	4414	21.72	4462	22.38

Performance certified is for installation type B - free inlet, ducted outlet.

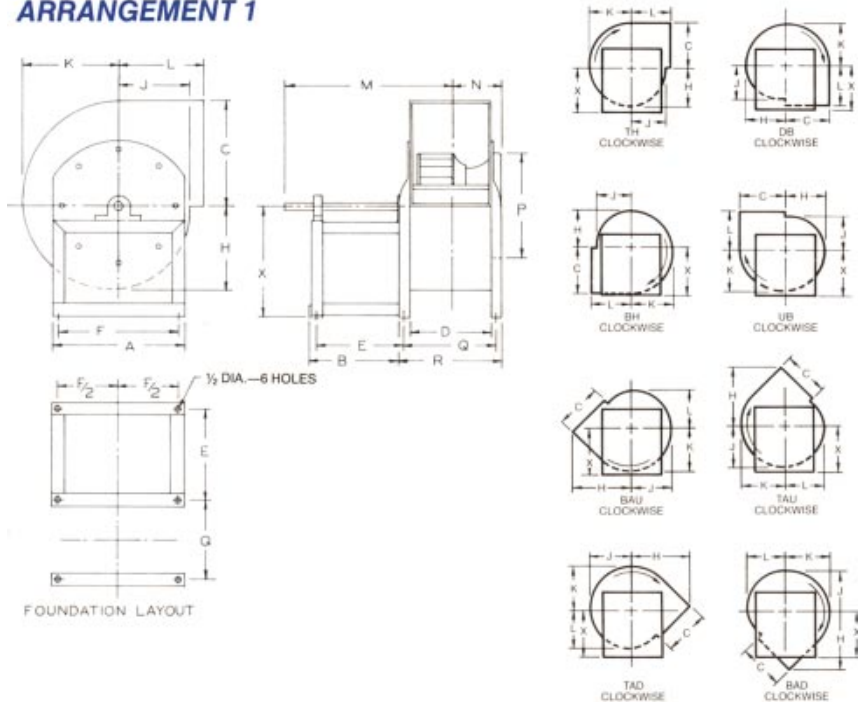
Power Rating (BHP) does not include transmission losses.

Class I Class III Class II Class IV

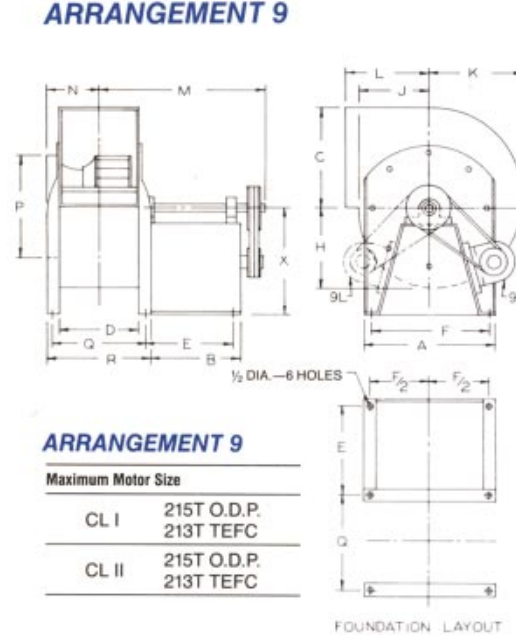
Performance ratings do not include the effects of appurtenances (access



ARRANGEMENT 1



ARRANGEMENT 9



ARRANGEMENT 1 & 9-SWSI-CLASS I & II

MODEL NO.	WHL. DIA.	CLASS	SHAFT EXT. DIA.	KEYWAY	TH, DB, BH, UB STRAIGHT DISCH.							BAU, TAU, TAD, BAD ANGULAR DISCH.				M	N	P	Q	R	X			
					A	B	C	D	E	F	H	J	K	L	H							J	K	L
BI150	15	CLASS I	1	1/4 X 1/8 X 3-1/2	19-1/4	15-1/2	16-1/4	11-3/4	15-1/2	17-5/8	12-3/8	10-3/8	14-1/8	12-3/8	20-1/8	13-1/4	15-1/4	11-1/8	26-7/8	7-1/2	16-1/8	13-3/8	14-7/8	17-7/8
BI150	15	CLASS II	1-3/16	1/4 X 1/8 X 3-1/2	19-1/4	15-1/2	16-1/4	11-3/4	15-1/2	17-5/8	12-3/8	10-3/8	14-1/8	12-3/8	20-1/8	13-1/4	15-1/4	11-1/8	27	7-1/2	16-1/8	13-3/8	14-7/8	17-7/8

Note: Letters "C" and "D" are outside housing dimensions.

PEERLESS ELECTRIC "POWER FIXED 2000" PERFORMANCE TABLE

BI165-1

SINGLE-WIDTH

TIP SPEED(FPM)=4.320xRPM

OUTLET(1.560Sq.Ft. Inside)

MAX.HP=.4142(RPM/1000)³

17 3/4"x13" Outside

MAX.RPM

INLET (1.67 Sq.Ft. Inside)

CL.1 2235

WHEEL DIAMETER=16 1/2"

17 7/8" Dia. Outside

CL.2 2914

CL.23 3675

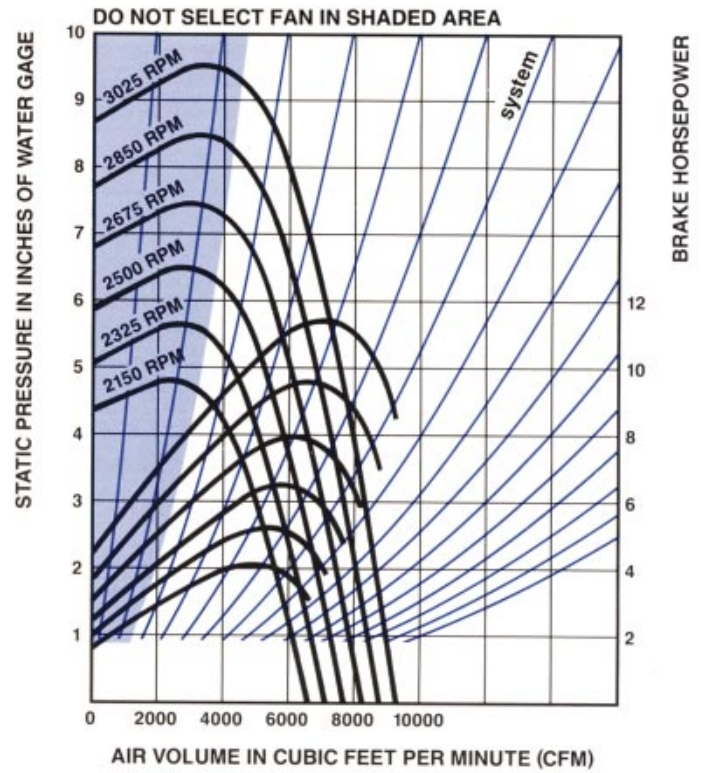
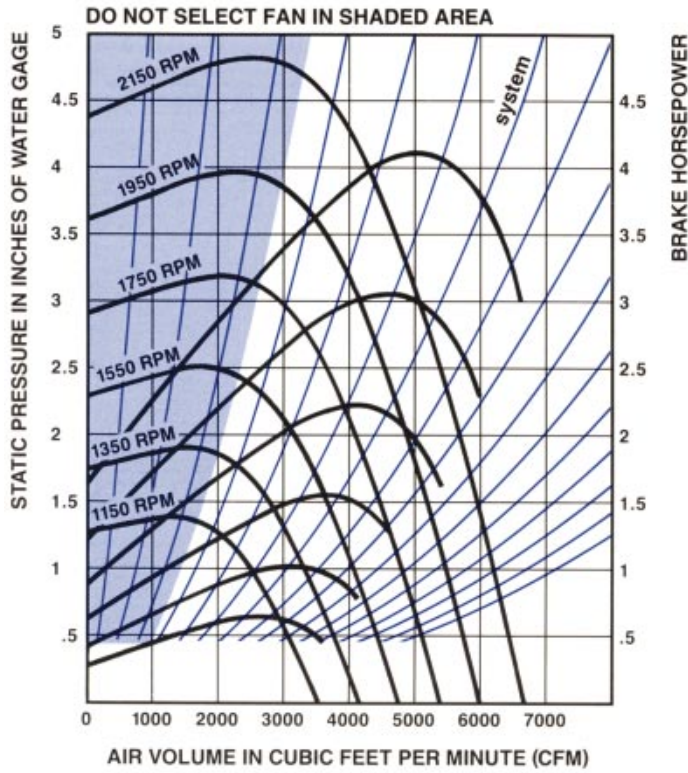
VOL CFM	VEL FPM	.25 SP		.5 SP		.75 SP		1 SP		1.25 SP		1.5 SP		2 SP		2.5 SP		3 SP		3.5 SP	
		RPM	BHP	RPM	BHP	RPM	BHP	RPM	BHP	RPM	BHP	RPM	BHP	RPM	BHP	RPM	BHP	RPM	BHP	RPM	BHP
1248	800	573	0.08	719	0.14	-	-	-	-	-	-	-	-	-	-	-	-	-	-	-	-
1404	900	609	0.09	742	0.16	867	0.24	-	-	-	-	-	-	-	-	-	-	-	-	-	-
1560	1000	648	0.11	769	0.18	885	0.26	995	0.36	-	-	-	-	-	-	-	-	-	-	-	-
1716	1100	688	0.13	800	0.21	908	0.29	1011	0.38	1111	0.51	-	-	-	-	-	-	-	-	-	-
1872	1200	730	0.16	835	0.24	934	0.33	1031	0.42	1125	0.53	1216	0.67	-	-	-	-	-	-	-	-
2028	1300	773	0.18	871	0.27	965	0.37	1056	0.46	1144	0.56	1230	0.69	-	-	-	-	-	-	-	-
2184	1400	817	0.21	910	0.31	998	0.41	1093	0.51	1167	0.61	1248	0.73	1406	1.03	-	-	-	-	-	-
2340	1500	861	0.25	950	0.35	1033	0.45	1114	0.56	1193	0.67	1270	0.78	1420	1.06	-	-	-	-	-	-
2496	1600	906	0.28	992	0.40	1070	0.50	1146	0.62	1221	0.73	1295	0.85	1438	1.11	1576	1.45	-	-	-	-
2652	1700	952	0.32	1034	0.45	1109	0.56	1181	0.68	1252	0.80	1322	0.93	1459	1.18	1592	1.49	1720	1.88	-	-
2808	1800	999	0.37	1077	0.50	1149	0.62	1218	0.74	1286	0.87	1352	1.00	1438	1.27	1610	1.56	1734	1.92	-	-
2964	1900	1046	0.42	1120	0.56	1190	0.68	1256	0.81	1321	0.94	1384	1.08	1509	1.36	1631	1.65	1750	1.98	1866	2.40
3120	2000	1094	0.47	1164	0.62	1231	0.76	1295	0.89	1357	1.02	1418	1.17	1538	1.46	1655	1.75	1770	2.07	1882	2.46
3276	2100	1142	0.53	1208	0.69	1274	0.83	1335	0.97	1395	1.11	1453	1.26	1568	1.57	1681	1.87	1791	2.19	1900	2.54
3432	2200	1190	0.60	1253	0.76	1317	0.91	1376	1.06	1434	1.20	1490	1.35	1600	1.67	1709	2.00	1815	2.32	1920	2.66
3588	2300	1238	0.67	1299	0.83	1360	1.00	1418	1.16	1474	1.30	1528	1.46	1634	1.79	1738	2.13	1841	2.46	1942	2.80
3744	2400	1286	0.74	1345	0.91	1403	1.09	1460	1.26	1514	1.41	1567	1.57	1669	1.90	1770	2.26	1869	2.61	1967	2.96
4056	2600	1383	0.91	1438	1.10	1492	1.29	1546	1.48	1597	1.65	1647	1.82	1743	2.16	1837	2.54	1929	2.92	2021	3.30
4368	2800	1481	1.10	1533	1.31	1583	1.51	1633	1.72	1682	1.91	1730	2.10	1821	2.46	1909	2.84	1996	3.25	2081	3.67
4680	3000	1582	1.33	1629	1.55	1675	1.76	1722	1.98	1769	2.20	1814	2.41	1901	2.79	1984	3.19	2066	3.61	2147	4.05
4992	3200	1682	1.59	1726	1.81	1769	2.04	1812	2.27	1857	2.51	1900	2.74	1983	3.16	2063	3.58	2141	4.01	2217	4.46
5304	3400	1776	1.84	1822	2.11	1864	2.35	1904	2.59	1946	2.85	1987	3.10	2068	3.57	2144	4.01	2218	4.45	2291	4.91
VOL CFM	VEL FPM	4 SP		4.5 SP		5 SP		5.5 SP		6 SP		6.5 SP		7 SP		7.5 SP		8 SP		8.5 SP	
		RPM	BHP	RPM	BHP	RPM	BHP	RPM	BHP	RPM	BHP	RPM	BHP	RPM	BHP	RPM	BHP	RPM	BHP	RPM	BHP
3276	2100	2005	2.97	2109	3.47	-	-	-	-	-	-	-	-	-	-	-	-	-	-	-	-
3432	2200	2022	3.06	2123	3.53	2221	4.06	-	-	-	-	-	-	-	-	-	-	-	-	-	-
3588	2300	2042	3.18	2139	3.61	2235	4.12	2329	4.67	-	-	-	-	-	-	-	-	-	-	-	-
3744	2400	2063	3.33	2158	3.73	2251	4.21	2342	4.74	2432	5.33	-	-	-	-	-	-	-	-	-	-
4056	2600	2111	3.68	2200	4.07	2288	4.49	2375	4.96	2461	5.49	2545	6.08	2628	6.72	-	-	-	-	-	-
4368	2800	2166	4.08	2250	4.48	2334	4.90	2416	5.33	2497	5.80	2577	6.33	2656	6.91	2735	7.54	2812	8.22	-	-
4680	3000	2227	4.50	2307	4.94	2385	5.37	2463	5.81	2540	6.26	2617	6.74	2692	7.26	2767	7.83	2841	8.45	2914	9.13
4992	3200	2293	4.93	2368	5.41	2443	5.88	2517	6.34	2590	6.81	2663	7.28	2735	7.77	2806	8.29	2877	8.85	2947	9.46
5304	3400	2363	5.40	2434	5.90	2505	6.41	2575	6.91	2645	7.40	2714	7.90	2783	8.39	2851	8.90	2919	9.42	2986	9.98
5616	3600	2436	5.91	2504	6.43	2571	6.96	2638	7.49	2705	8.02	2771	8.55	2836	9.07	2901	9.59	2966	10.12	3030	10.66
5928	3800	2512	6.47	2577	7.00	2641	7.54	2705	8.10	2768	8.67	2831	9.23	2894	9.79	2957	10.34	3019	10.89	3080	11.44
6240	4000	2591	7.09	2653	7.62	2714	8.18	2775	8.75	2836	9.34	2896	9.93	2956	10.53	3016	11.12	3075	11.70	3135	12.28
6552	4200	2671	7.75	2731	8.30	2790	8.87	2848	9.45	2907	10.05	2964	10.67	3022	11.29	3079	11.91	3136	12.54	3193	13.15
6864	4400	2753	8.47	2811	9.04	2868	9.62	2924	10.21	2980	10.82	3036	11.45	3091	12.09	3146	12.74	3201	13.40	3255	14.05
7176	4600	2836	9.24	2892	9.83	2947	10.43	3002	11.03	3054	11.65	3109	12.29	3163	12.95	3215	13.61	3268	14.29	3321	14.97
7488	4800	2920	10.06	2975	10.68	3029	11.30	3081	11.92	3134	12.55	3185	13.20	3237	13.86	3288	14.54	3338	15.24	3389	15.94
7800	5000	3006	10.91	3059	11.57	3111	12.22	3163	12.87	3213	13.51	3263	14.17	3313	14.85	3362	15.53	3411	16.24	3460	16.96
8112	5200	3092	11.81	3144	12.52	3195	13.20	3245	13.87	3294	14.54	3343	15.22	3391	15.90	3439	16.60	3486	17.31	3533	18.04
8424	5400	3179	12.75	3230	13.50	3279	14.23	3328	14.93	3376	15.63	3423	16.33	3470	17.03	3517	17.74	3563	18.46	3608	19.20
VOL CFM	VEL FPM	9 SP		9.5 SP		10 SP		10.5 SP		11 SP		11.5 SP		12 SP		12.5 SP		13 SP		13.5 SP	
		RPM	BHP	RPM	BHP	RPM	BHP	RPM	BHP	RPM	BHP	RPM	BHP	RPM	BHP	RPM	BHP	RPM	BHP	RPM	BHP
4680	3000	2986	9.84	3058	10.59	-	-	-	-	-	-	-	-	-	-	-	-	-	-	-	-
4992	3200	3016	10.12	3085	10.82	3153	11.57	3220	12.36	3287	13.17	-	-	-	-	-	-	-	-	-	-
5304	3400	3052	10.58	3118	11.22	3184	11.91	3249	12.64	3313	13.41	3377	14.23	3440	15.07	-	-	-	-	-	-
5616	3600	3094	11.22	3158	11.81	3221	12.44	3283	13.11	3345	13.82	3407	14.58	3468	15.37	3528	16.21	3588	17.08	3648	17.97
5928	3800	3142	12.00	3202	12.57	3263	13.16	3323	13.79	3383	14.44	3442	15.13	3501	15.86	3559	16.64	3617	17.45	3675	18.30
6240	4000	3193	12.86	3252	13.44	3310	14.03	3368	14.63	3425	15.25	3483	15.90	3539	16.58	3596	17.29	3652	18.04	3708	18.83
6552	4200	3250	13.77	3306	14.37	3362	14.98	3417	15.59	3473	16.21	3528	16.84	3583	17.49	3637	18.16	3692	18.86	3745	19.59
6864	4400	3310	14.70	3364	15.34	3417	15.98	3471	16.62	3524	17.26	3578	17.90	3631	18.54	3683	19.20	3736	19.87	3788	20.57
7176	4600	3373	15.66	3425	16.34	3477	17.02	3529	17.69	3580	18.36	3631	19.02	3682	19.69	3733	20.36	3784	21.03	3834	21.71
7488	4800	3439	16.65	3490	17.36	3540	18.07	3589	18.79	3639	19.49	3689	20.19	3738	20.89	3787	21.58	3836	22.28	3885	22.97
7800	5000	3509	17.69	3557	18.42	3605	19.17	3653	19.91	3701	20.65	3749	21.39	3797	22.12	3844	22.85	3892	23.58	3939	24.31
8112	5200	3580	18.78	3627	19.54	3674	20.30	3720	21.07	3767	21.84	3813	22.62	3859	23.39	3905	24.16	3951	24.92	3996	25.68
8424	5400	3654	19.95	3699	20.72	3744	21.50	3789	22.29	3834	23.08	3879	23.88	3924	24.68	3968	25.49	4013	26.29	4057	27.08

Performance certified is for installation type B - free inlet, ducted outlet.

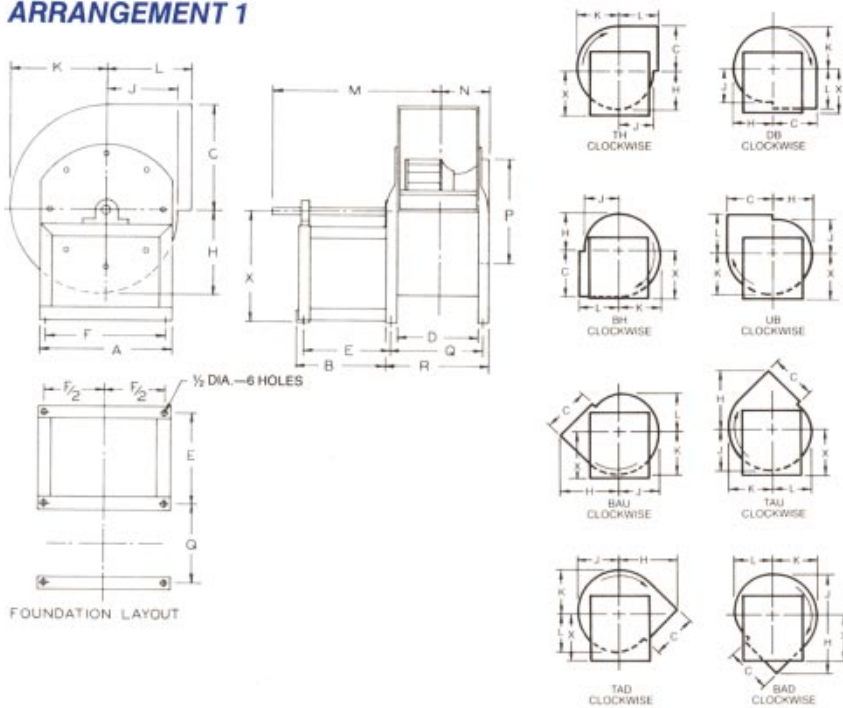
Power Rating (BHP) does not include transmission losses.

Class I Class III Class II Class IV

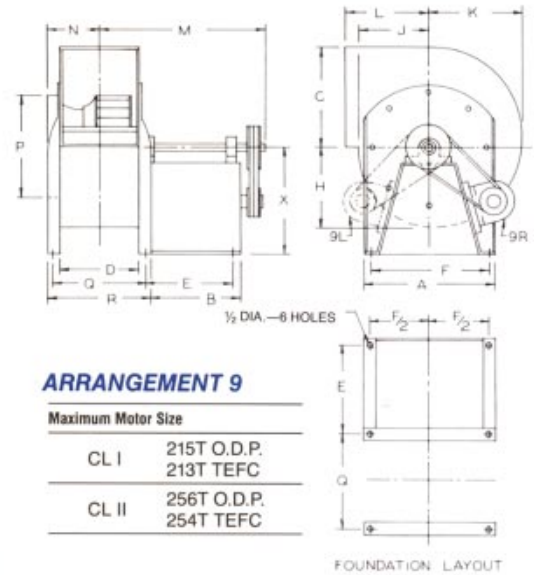
Performance ratings do not include the effects of appurtenances (accessories).



ARRANGEMENT 1



ARRANGEMENT 9



ARRANGEMENT 1 & 9-SWSI-CLASS I & II

MODEL NO.	WHL. DIA.	CLASS	SHAFT EXT. DIA.	KEYWAY	TH, DB, BH, UB STRAIGHT DISCH.										BAU, TAU, TAD, BAD ANGULAR DISCH.									
					A	B	C	D	E	F	H	J	K	L	H	J	K	L	M	N	P	Q	R	X
BH165	16-1/2	CLASS I	1	1/4 X 1/8 X 3-1/2	21-3/8	15	17-3/4	13	15-1/2	19-3/4	13-5/8	11-3/8	15-1/2	13-3/8	21-7/8	14-5/8	16-3/4	12-1/4	27-1/2	8-1/2	17-7/8	14-1/2	17	19-1/2
BH165	16-1/2	CLASS II	1-3/16	1/4 X 1/8 X 4	21-3/8	21	17-3/4	13	21-1/2	19-3/4	13-5/8	11-3/8	15-1/2	13-3/8	21-7/8	14-5/8	16-3/4	12-1/4	34-1/8	8-1/2	17-7/8	14-1/2	17	19-1/2

Note: Letters "C" and "D" are outside housing dimensions.

PEERLESS ELECTRIC "POWER FIXED 2000" PERFORMANCE TAB

BI182-1
SINGLE-WIDTH

TIP SPEED(FPM)=4.778xRPM)

WHEEL DIAMETER=18 1/4"

OUTLET(1.899Sq.Ft> Inside)

19 5/8"x14 1/4" Outside

INLET (2.02 Sq.Ft. Inside)

19 5/8" Dia. Outside

MAX.HP=.6444(RPM/1000)3

MAX.RPM

CL.1 2044

CL.2 2666

CL.3 3362

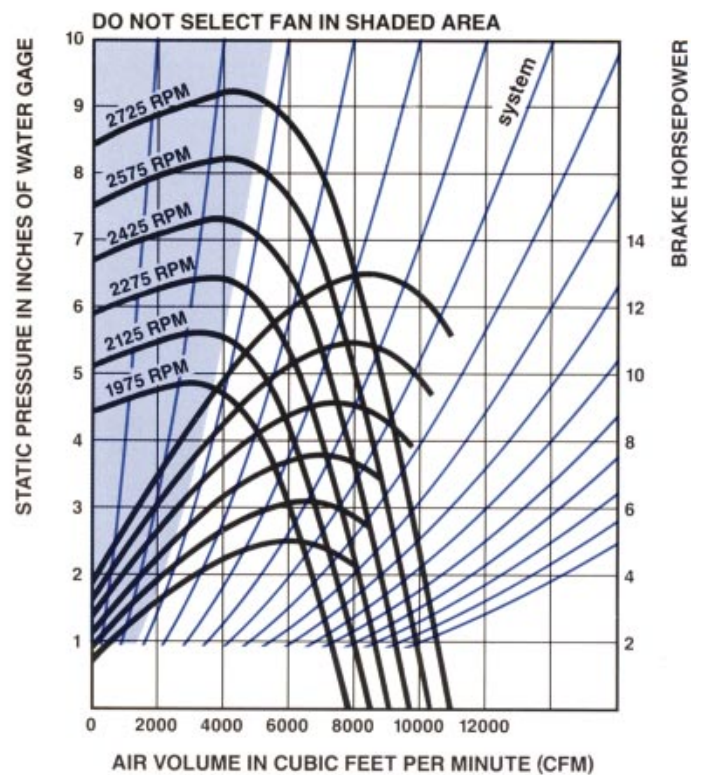
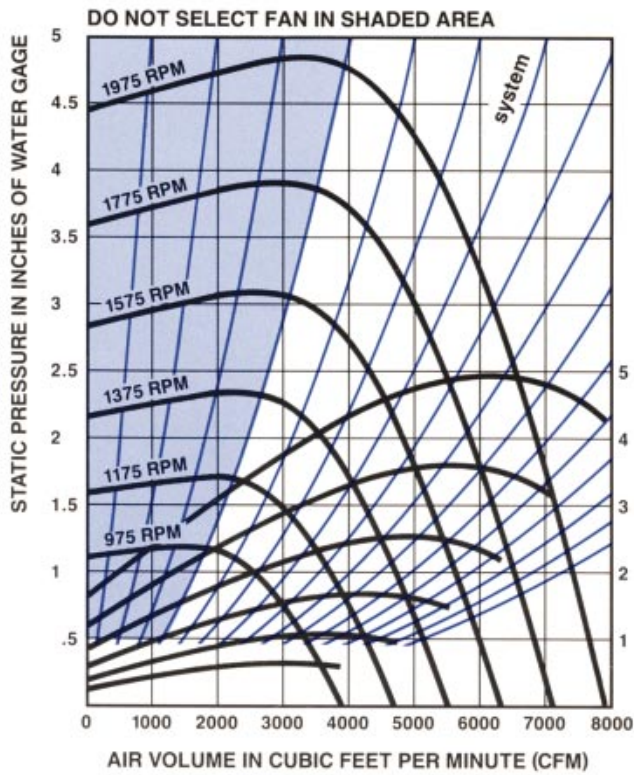
VOL CFM	VEL FPM	.25 SP		.5 SP		.75 SP		1 SP		1.25 SP		1.5 SP		2 SP		2.5 SP		3 SP		3.5 SP	
		RPM	BHP	RPM	BHP	RPM	BHP	RPM	BHP	RPM	BHP	RPM	BHP	RPM	BHP	RPM	BHP	RPM	BHP	RPM	BHP
1519	800	527	0.09	658	0.17	-	-	-	-	-	-	-	-	-	-	-	-	-	-	-	-
1709	900	562	0.11	679	0.19	-	0.28	-	-	-	-	-	-	-	-	-	-	-	-	-	-
1899	1000	599	0.14	705	0.22	809	0.31	911	0.42	-	-	-	-	-	-	-	-	-	-	-	-
2089	1100	638	0.16	736	0.25	831	0.35	925	0.46	1016	0.59	-	-	-	-	-	-	-	-	-	-
2279	1200	677	0.19	769	0.29	857	0.39	944	0.50	1029	0.63	1113	0.77	-	-	-	-	-	-	-	-
2469	1300	718	0.23	805	0.33	886	0.44	967	0.55	1047	0.68	1125	0.82	-	-	-	-	-	-	-	-
2659	1400	759	0.27	842	0.38	918	0.49	993	0.61	1068	0.74	1142	0.88	1286	1.19	-	-	-	-	-	-
2849	1500	801	0.31	880	0.43	952	0.55	1023	0.67	1093	0.81	1163	0.95	1299	1.26	1432	1.62	-	-	-	-
3038	1600	844	0.36	919	0.49	988	0.62	1055	0.74	1121	0.88	1186	1.02	1316	1.34	1442	1.70	-	-	-	-
3228	1700	888	0.42	959	0.55	1026	0.69	1089	0.82	1151	0.96	1213	1.11	1335	1.43	1456	1.79	1574	2.18	-	-
3418	1800	933	0.48	1000	0.62	1064	0.76	1124	0.91	1183	1.05	1242	1.20	1358	1.53	1473	1.89	1586	2.28	1697	2.70
3608	1900	978	0.55	1040	0.69	1103	0.85	1161	1.00	1217	1.15	1273	1.30	1383	1.63	1493	2.00	1601	2.39	1707	2.82
3798	2000	1023	0.63	1082	0.77	1142	0.94	1198	1.09	1252	1.25	1305	1.41	1411	1.75	1515	2.12	1619	2.52	1721	2.94
3988	2100	1068	0.71	1124	0.86	1182	1.03	1237	1.20	1289	1.36	1340	1.53	1440	1.88	1540	2.25	1639	2.65	1738	3.08
4178	2200	1114	0.80	1167	0.96	1222	1.13	1275	1.31	1326	1.49	1375	1.66	1471	2.01	1567	2.39	1662	2.80	1756	3.23
4368	2300	1159	0.90	1210	1.06	1263	1.24	1315	1.43	1364	1.61	1411	1.79	1504	2.16	1596	2.54	1687	2.95	1778	3.39
4558	2400	1204	1.01	1254	1.18	1305	1.36	1355	1.56	1403	1.75	1449	1.94	1538	2.32	1626	2.71	1714	3.12	1801	3.57
4937	2600	1296	1.25	1344	1.44	1389	1.62	1436	1.83	1481	2.04	1525	2.25	1609	2.66	1691	3.07	1772	3.50	1853	3.95
5317	2800	1388	1.53	1434	1.74	1475	1.93	1518	2.14	1562	2.37	1604	2.60	1684	3.04	1761	3.48	1837	3.93	1912	4.39
5697	3000	1481	1.85	1525	2.07	1563	2.28	1603	2.49	1643	2.73	1684	2.98	1760	3.46	1834	3.93	1905	4.40	1976	4.89
6077	3200	1573	2.20	1615	2.45	1653	2.67	1689	2.90	1727	3.14	1765	3.40	1839	3.92	1909	4.42	1977	4.93	2044	5.43
6457	3400	1669	2.63	1706	2.87	1743	3.12	1777	3.35	1811	3.60	1847	3.86	1918	4.41	1986	4.96	2051	5.50	2115	6.03
VOL CFM	VEL FPM	4 SP		4.5 SP		5 SP		5.5 SP		6 SP		6.5 SP		7 SP		7.5 SP		8 SP		8.5 SP	
		RPM	BHP	RPM	BHP	RPM	BHP	RPM	BHP	RPM	BHP	RPM	BHP	RPM	BHP	RPM	BHP	RPM	BHP	RPM	BHP
3988	2100	1834	3.54	1930	4.03	2023	4.54	-	-	-	-	-	-	-	-	-	-	-	-	-	-
4178	2200	1850	3.69	1942	4.18	2033	4.69	2122	5.23	-	-	-	-	-	-	-	-	-	-	-	-
4368	2300	1868	3.86	1957	4.35	2044	4.86	2131	5.40	2216	5.97	-	-	-	-	-	-	-	-	-	-
4558	2400	1888	4.04	1974	4.53	2059	5.04	2143	5.58	2226	6.15	2307	6.74	-	-	-	-	-	-	-	-
4937	2600	1934	4.43	2014	4.93	2094	5.45	2172	6.00	2251	6.57	2328	7.15	2405	7.77	2480	8.40	-	-	-	-
5317	2800	1987	4.88	2062	5.39	2136	5.92	2211	6.47	2284	7.04	2357	7.64	2430	8.25	2502	8.89	2573	9.54	2643	10.22
5697	3000	2046	5.38	2116	5.90	2186	6.44	2256	7.00	2325	7.58	2394	8.19	2463	8.81	2531	9.44	2599	10.10	2666	10.78
6077	3200	2110	5.95	2176	6.48	2241	7.03	2307	7.60	2372	8.19	2438	8.80	2503	9.42	2567	10.07	2631	10.73	2695	11.42
6457	3400	2177	6.57	2240	7.12	2302	7.68	2364	8.26	2425	8.86	2487	9.48	2548	10.11	2610	10.77	2671	11.44	2732	12.13
6836	3600	2248	7.24	2307	7.81	2366	8.39	2425	8.99	2483	9.60	2542	10.23	2600	10.87	2658	11.53	2716	12.21	2774	12.91
7216	3800	2321	7.98	2378	8.57	2434	9.17	2490	9.79	2545	10.41	2601	11.05	2656	11.70	2711	12.37	2766	13.06	2821	13.77
7596	4000	2396	8.76	2451	9.39	2504	10.02	2558	10.65	2611	11.29	2664	11.94	2716	12.61	2769	13.29	2821	13.99	2874	14.71
7976	4200	2473	9.60	2526	10.26	2577	10.92	2628	11.58	2679	12.24	2730	12.91	2780	13.60	2830	14.29	2880	15.00	2930	15.73
8356	4400	2551	10.49	2602	11.19	2652	11.88	2701	12.57	2750	13.26	2799	13.96	2847	14.66	2895	15.37	2943	16.09	2991	16.83
8735	4600	2630	11.44	2679	12.17	2728	12.90	2776	13.63	2823	14.35	2870	15.07	2916	15.80	2962	16.53	3008	17.27	3054	18.02
9115	4800	2710	12.44	2758	13.22	2805	13.99	2852	14.74	2898	15.50	2943	16.25	2988	17.00	3032	17.76	3076	18.52	3120	19.29
9495	5000	2790	13.51	2837	14.32	2884	15.13	2929	15.93	2974	16.72	3017	17.50	3061	18.29	3104	19.07	3147	19.86	3189	20.65
9875	5200	2871	14.65	2918	15.49	2963	16.34	3007	17.17	3051	18.00	3093	18.82	3136	19.64	3177	20.45	3219	21.27	3260	22.09
10255	5400	2954	15.85	2999	16.73	3043	17.61	3086	18.48	3129	19.35	3170	20.21	3212	21.06	3252	21.91	3292	22.76	3332	23.60
VOL CFM	VEL FPM	9 SP		9.5 SP		10 SP		10.5 SP		11 SP		11.5 SP		12 SP		12.5 SP		13 SP		13.5 SP	
		RPM	BHP	RPM	BHP	RPM	BHP	RPM	BHP	RPM	BHP	RPM	BHP	RPM	BHP	RPM	BHP	RPM	BHP	RPM	BHP
5697	3000	2732	11.47	2798	12.19	2864	12.93	-	-	-	-	-	-	-	-	-	-	-	-	-	-
6077	3200	2759	12.11	2822	12.83	2885	13.57	2947	14.32	3009	15.09	3070	15.89	-	-	-	-	-	-	-	-
6457	3400	2792	12.83	2852	13.55	2912	14.29	2972	15.05	3031	15.82	3090	16.61	3148	17.41	3206	18.24	3264	19.08	-	-
6836	3600	2832	13.62	2889	14.35	2946	15.09	3003	15.86	3060	16.63	3116	17.42	3172	18.23	3228	19.05	3283	19.90	3338	20.75
7216	3800	2876	14.49	2931	15.23	2986	15.98	3040	16.75	3094	17.53	3148	18.33	3202	19.14	3256	19.96	3309	20.81	3362	21.66
7596	4000	2926	15.43	2979	16.18	3031	16.94	3083	17.72	3135	18.51	3186	19.31	3238	20.13	3289	20.97	3340	21.81	3391	22.67
7976	4200	2980	16.46	3030	17.22	3080	17.99	3130	18.77	3180	19.57	3229	20.38	3279	21.21	3328	22.05	3377	22.91	3426	23.78
8356	4400	3039	17.58	3086	18.34	3134	19.12	3182	19.92	3229	20.72	3277	21.54	3324	22.38	3372	23.23	3419	24.09	3466	24.97
8735	4600	3100	18.78	3146	19.56	3192	20.35	3237	21.15	3283	21.97	3329	22.80	3374	23.64	3420	24.50	3465	25.37	3510	26.25
9115	4800	3165	20.07	3209	20.86	3252	21.66	3296	22.48	3340	23.30	3384	24.14	3428	25.00	3471	25.86	3515	26.74	3559	27.63
9495	5000	3232	21.45	3274	22.26	3316	23.07	3358	23.90	3401	24.74	3443	25.59	3485	26.45	3527	27.33	3569	28.22	3611	29.12
9875	5200	3301	22.91	3342	23.74	3383	24.57	3423	25.41	3464	26.27	3504	27.13	3545	28.01	3585	28.89	3626	29.79	3666	30.70
10255	5400	3372	24.45	3412	25.30	3451	26.16	3490	27.02	3530	27.89	3569	28.77	3608	29.66	3647	30.56	3686	31.47	3725	32.39

Performance certified is for installation type B - free inlet, ducted outlet.

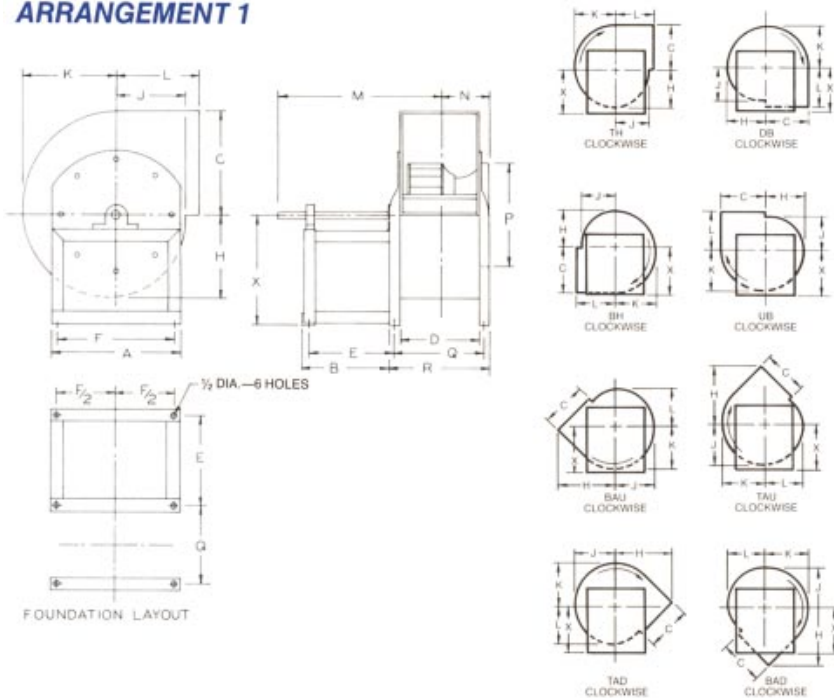
Power Rating (BHP) does not include transmission losses.

Performance ratings do not include the effects of appurtenances (accessories).

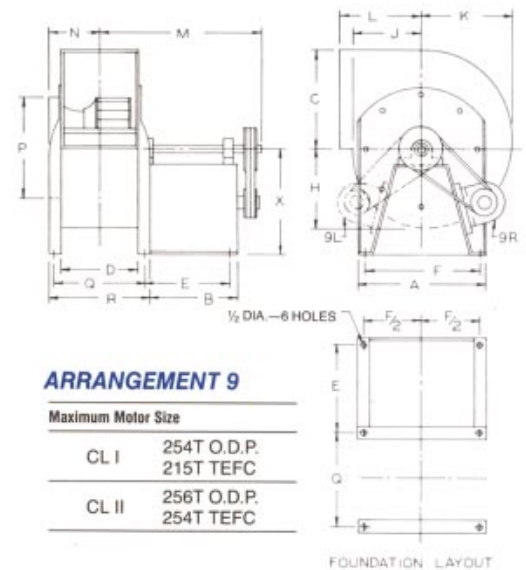
Class I Class III **Class II** Class IV



ARRANGEMENT 1



ARRANGEMENT 9



ARRANGEMENT 9

Maximum Motor Size

CL I	254T O.D.P. 215T TEFC
CL II	256T O.D.P. 254T TEFC

ARRANGEMENT 1 & 9-SWSI-CLASS I & II

MODEL NO.	WHL. DIA.	CLASS	SHAFT EXT. DIA.	KEYWAY	TH, DB, BH, UB STRAIGHT DISCH.						BAU, TAU, TAD, BAD ANGULAR DISCH.				M	N	P	Q	R	X				
					A	B	C	D	E	F	H	J	K	L										
BI182	18-1/4	CLASS I	1-3/16	1/4 X 1/8 X 3-1/2	23-1/8	17	19-5/8	14-1/4	17-1/2	21-1/2	15	12-5/8	17-1/8	14-5/8	24-1/8	16	18-1/2	13-5/8	30-5/8	9-1/8	19-5/8	15-3/4	18-1/4	21-7/8
BI182	18-1/4	CLASS II	1-7/16	3/8 X 3/16 X 4	23-1/8	21	19-5/8	14-1/4	21-1/2	21-1/2	15	12-5/8	17-1/2	14-5/8	24-1/8	16	18-1/2	13-5/8	34-5/8	9-1/8	19-5/8	15-3/4	18-1/4	21-7/8

Note: Letters "C" and "D" are outside housing dimensions.

PEERLESS ELECTRIC "POWER FIXED 2000" PERFORMANCE TABLE

BI200-1

SINGLE-WIDTH

TIP SPEED(FPM)=5.236xRPM

OUTLET(2.318Sq.Ft. Inside)

MAX.HP=1.0139(RPM/1000)3

WHEEL DIAMETER=20"
 21 1/2"x15 7/8" Outside
 INLET (2.435 Sq.Ft. Inside)
 21 1/2" Dia. Outside

MAX.RPM
 CL.1 1866
 CL2.2432
 CL3. 3068

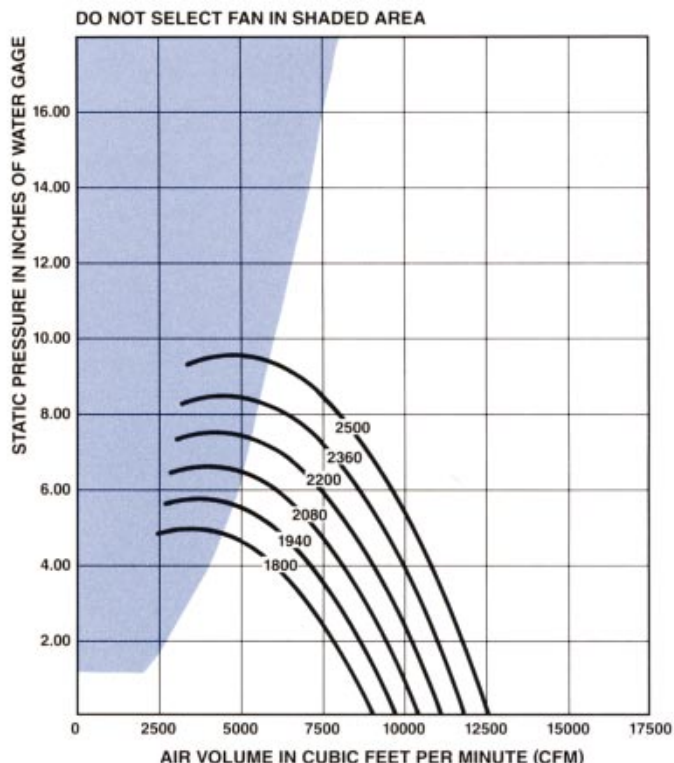
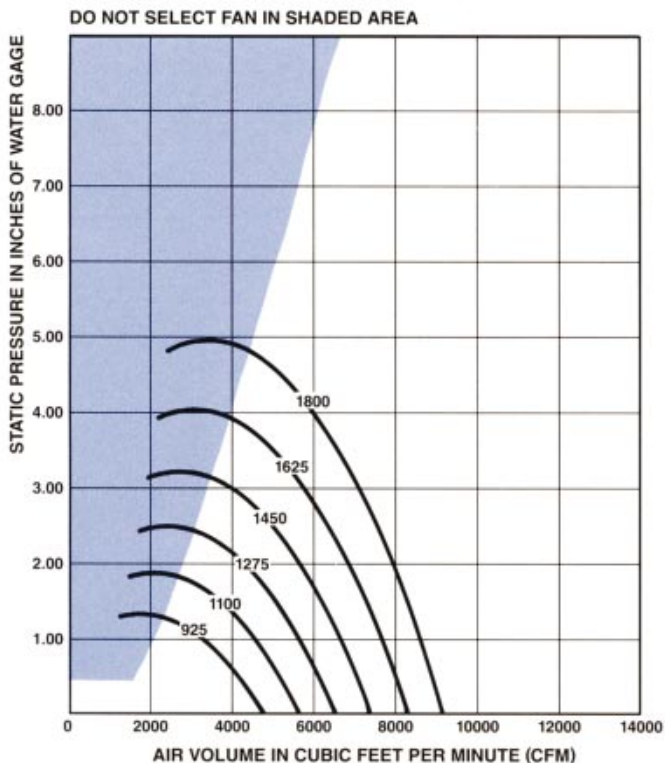
VOL	VEL	.25 SP		.5 SP		.75 SP		1 SP		1.25 SP		1.5 SP		2 SP		2.5 SP		3 SP		3.5 SP	
		RPM	BHP	RPM	BHP	RPM	BHP	RPM	BHP	RPM	BHP	RPM	BHP	RPM	BHP	RPM	BHP	RPM	BHP	RPM	BHP
1854	800	492	0.12	610	0.22	716	0.34	-	-	-	-	-	-	-	-	-	-	-	-	-	-
2086	900	524	0.15	632	0.26	731	0.38	-	-	-	-	-	-	-	-	-	-	-	-	-	-
2318	1000	558	0.18	658	0.29	751	0.42	838	0.56	920	0.70	-	-	-	-	-	-	-	-	-	-
2550	1100	594	0.21	686	0.33	774	0.47	856	0.62	934	0.77	-	-	-	-	-	-	-	-	-	-
2782	1200	632	0.25	717	0.38	799	0.53	877	0.68	951	0.84	1022	1.00	-	-	-	-	-	-	-	-
3013	1300	670	0.30	750	0.43	827	0.58	901	0.75	971	0.91	1039	1.09	-	-	-	-	-	-	-	-
3245	1400	710	0.35	784	0.49	857	0.65	926	0.82	994	1.00	1059	1.18	1182	1.56	-	-	-	-	-	-
3477	1500	750	0.41	820	0.56	888	0.72	954	0.90	1019	1.08	1081	1.28	1200	1.67	1312	2.09	-	-	-	-
3709	1600	791	0.47	857	0.63	921	0.80	984	0.99	1045	1.18	1105	1.38	1219	1.80	1328	2.23	1431	2.68	-	-
3941	1700	833	0.55	895	0.71	955	0.89	1015	1.08	1074	1.28	1131	1.49	1241	1.92	1346	2.37	1446	2.84	1542	3.33
4172	1800	875	0.63	933	0.80	991	0.99	1048	1.18	1104	1.39	1158	1.61	1264	2.06	1365	2.53	1463	3.01	1556	3.51
4404	1900	917	0.73	972	0.90	1027	1.09	1081	1.29	1135	1.51	1187	1.73	1289	2.20	1387	2.68	1481	3.19	1572	3.71
4636	2000	960	0.83	1012	1.01	1064	1.21	1116	1.42	1167	1.64	1218	1.87	1316	2.35	1410	2.85	1502	3.37	1590	3.91
4868	2100	1003	0.94	1053	1.13	1102	1.33	1152	1.55	1201	1.77	1249	2.01	1344	2.51	1435	3.03	1524	3.57	1609	4.12
5100	2200	1046	1.06	1093	1.26	1141	1.47	1188	1.69	1235	1.92	1282	2.17	1373	2.68	1461	3.21	1547	3.77	1631	4.34
5331	2300	1089	1.20	1135	1.40	1180	1.61	1226	1.84	1271	2.08	1315	2.33	1403	2.86	1489	3.41	1572	3.98	1653	4.57
5563	2400	1132	1.34	1176	1.55	1220	1.77	1263	2.00	1307	2.25	1350	2.51	1434	3.05	1517	3.61	1598	4.20	1677	4.80
6027	2600	1220	1.67	1260	1.89	1301	2.12	1341	2.37	1381	2.63	1421	2.90	1500	3.46	1578	4.06	1654	4.68	1728	5.31
6490	2800	1308	2.05	1345	2.28	1382	2.53	1420	2.79	1457	3.06	1495	3.34	1569	3.93	1641	4.55	1713	5.20	1784	5.87
6954	3000	1396	2.49	1431	2.73	1466	2.99	1501	3.26	1536	3.55	1571	3.84	1640	4.46	1709	5.10	1776	5.78	1843	6.48
7418	3200	1484	2.98	1517	3.24	1550	3.51	1583	3.80	1616	4.09	1648	4.40	1714	5.04	1778	5.71	1842	6.42	1906	7.14
7881	3400	1573	3.54	1604	3.81	1635	4.10	1666	4.40	1697	4.71	1727	5.02	1789	5.69	1850	6.39	1911	7.11	1971	7.87
VOL	VEL	4 SP		4.5 SP		5 SP		5.5 SP		6 SP		6.5 SP		7 SP		7.5 SP		8 SP		8.5 SP	
		RPM	BHP	RPM	BHP	RPM	BHP	RPM	BHP	RPM	BHP	RPM	BHP	RPM	BHP	RPM	BHP	RPM	BHP	RPM	BHP
4868	2100	1693	4.69	1774	5.27	1852	5.86	-	-	-	-	-	-	-	-	-	-	-	-	-	-
5100	2200	1712	4.92	1791	5.52	1867	6.13	1942	6.75	2016	7.39	-	-	-	-	-	-	-	-	-	-
5331	2300	1732	5.17	1809	5.78	1884	6.41	1957	7.05	2029	7.70	-	-	-	-	-	-	-	-	-	-
5563	2400	1754	5.42	1829	6.06	1902	6.70	1974	7.36	2044	8.03	2113	8.71	2180	9.40	-	-	-	-	-	-
6027	2600	1801	5.97	1872	6.63	1942	7.31	2011	8.01	2078	8.71	2144	9.42	2209	10.15	2273	10.88	2335	11.62	-	-
6490	2800	1853	6.55	1921	7.25	1988	7.97	2053	8.69	2118	9.43	2181	10.18	2243	10.94	2304	11.71	2365	12.48	2424	13.27
6954	3000	1909	7.19	1973	7.92	2037	8.67	2100	9.43	2162	10.20	2222	10.99	2282	11.78	2341	12.58	2399	13.40	2457	14.22
7418	3200	1968	7.89	2030	8.65	2091	9.43	2151	10.22	2210	11.03	2268	11.85	2326	12.67	2382	13.51	2438	14.36	2494	15.22
7881	3400	2030	8.64	2089	9.43	2147	10.24	2205	11.07	2262	11.91	2318	12.76	2373	13.62	2427	14.49	2481	15.37	2535	16.26
8345	3600	2095	9.46	2152	10.28	2207	11.12	2262	11.98	2317	12.85	2370	13.73	2424	14.62	2476	15.53	2528	16.44	2580	17.37
8808	3800	2163	10.35	2216	11.20	2270	12.07	2322	12.95	2375	13.85	2426	14.77	2477	15.69	2528	16.63	2578	17.58	2628	18.54
9272	4000	2232	11.32	2284	12.20	2335	13.09	2385	14.00	2435	14.93	2485	15.88	2534	16.83	2583	17.80	2631	18.78	2679	19.78
9736	4200	2304	12.37	2353	13.27	2402	14.19	2450	15.13	2498	16.09	2546	17.06	2593	18.05	2641	19.05	2687	20.06	2734	21.08
10199	4400	2377	13.50	2424	14.42	2470	15.37	2517	16.34	2563	17.32	2609	18.32	2655	19.34	2700	20.37	2745	21.41	2790	22.47
10663	4600	2451	14.72	2496	15.67	2541	16.65	2586	17.64	2631	18.65	2675	19.68	2719	20.72	2763	21.78	2806	22.85	2849	23.93
11126	4800	2527	16.03	2570	17.01	2613	18.01	2656	19.02	2699	20.06	2742	21.11	2784	22.19	2827	23.27	2869	24.37	2911	25.49
11590	5000	2604	17.45	2645	18.45	2687	19.47	2729	20.51	2770	21.57	2811	22.65	2852	23.75	2893	24.86	2933	25.99	2974	27.13
12054	5200	2682	18.96	2722	19.98	2762	21.03	2802	22.10	2842	23.19	2882	24.29	2921	25.41	2960	26.55	3000	27.71	3039	28.88
12517	5400	2760	20.57	2799	21.62	2838	22.70	2876	23.79	2915	24.90	2953	26.03	2991	27.18	3030	28.34	3068	29.53	-	-
VOL	VEL	9 SP		9.5 SP		10 SP		10.5 SP		11 SP		11.5 SP		12 SP		12.5 SP		13 SP		13.5 SP	
		RPM	BHP	RPM	BHP	RPM	BHP	RPM	BHP	RPM	BHP	RPM	BHP	RPM	BHP	RPM	BHP	RPM	BHP	RPM	BHP
6954	3000	2513	15.05	2569	15.89	2624	16.74	-	-	-	-	-	-	-	-	-	-	-	-	-	-
7418	3200	2548	16.08	2602	16.95	2655	17.84	2708	18.73	2760	19.63	2811	20.54	-	-	-	-	-	-	-	-
7881	3400	2588	17.17	2640	18.07	2691	18.99	2742	19.92	2792	20.85	2842	21.79	2892	22.74	2940	23.70	2989	24.67	3037	25.64
8345	3600	2631	18.31	2681	19.25	2731	20.20	2780	21.17	2829	22.13	2877	23.11	2925	24.09	2973	25.09	3020	26.09	3066	27.09
8808	3800	2677	19.51	2726	20.49	2774	21.47	2822	22.47	2869	23.47	2916	24.49	2962	25.50	3008	26.53	3054	27.57	3099	28.61
9272	4000	2727	20.78	2774	21.79	2821	22.81	2867	23.84	2913	24.88	2958	25.93	3003	26.98	3048	28.04	3092	29.11	3136	30.19
9736	4200	2779	22.12	2825	23.16	2870	24.22	2915	25.28	2959	26.35	3004	27.44	3047	28.52	3091	29.62	3134	30.72	3177	31.84
10199	4400	2835	23.53	2879	24.61	2922	25.70	2966	26.79	3009	27.90	3052	29.01	3094	30.13	3136	31.27	3178	32.41	3220	33.55
10663	4600	2892	25.03	2935	26.14	2977	27.26	3019	28.39	3061	29.52	3103	30.67	3144	31.83	3185	32.99	3225	34.16	3266	35.34
11126	4800	2952	26.61	2993	27.75	3034	28.90	3075	30.06	3116	31.23	3156	32.41	3196	33.60	3236	34.79	3275	36.00	3315	37.21
11590	5000	3014	28.29	3054	29.46	3094	30.64	3133	31.82	3173	33.03	3212	34.24	3250	35.46	3289	36.68	3328	37.92	3366	39.17
12054	5200	3078	30.06	3116	31.26	3155	32.47	3193	33.68	3231	34.92	3269	36.16	3307	37.41	3345	38.67	3382	39.94	3419	41.22
12517	5400	3143	31.93	3181	33.16	3218	34.39	3255	35.64	3292	36.90	3329	38.17	3366	39.45	3402	40.74	3439	42.04	3475	43.35

Performance certified is for installation type B - free inlet, ducted outlet.

Power Rating (BHP) does not include transmission losses.

Performance ratings do not include the effects of appurtenances (accessories).

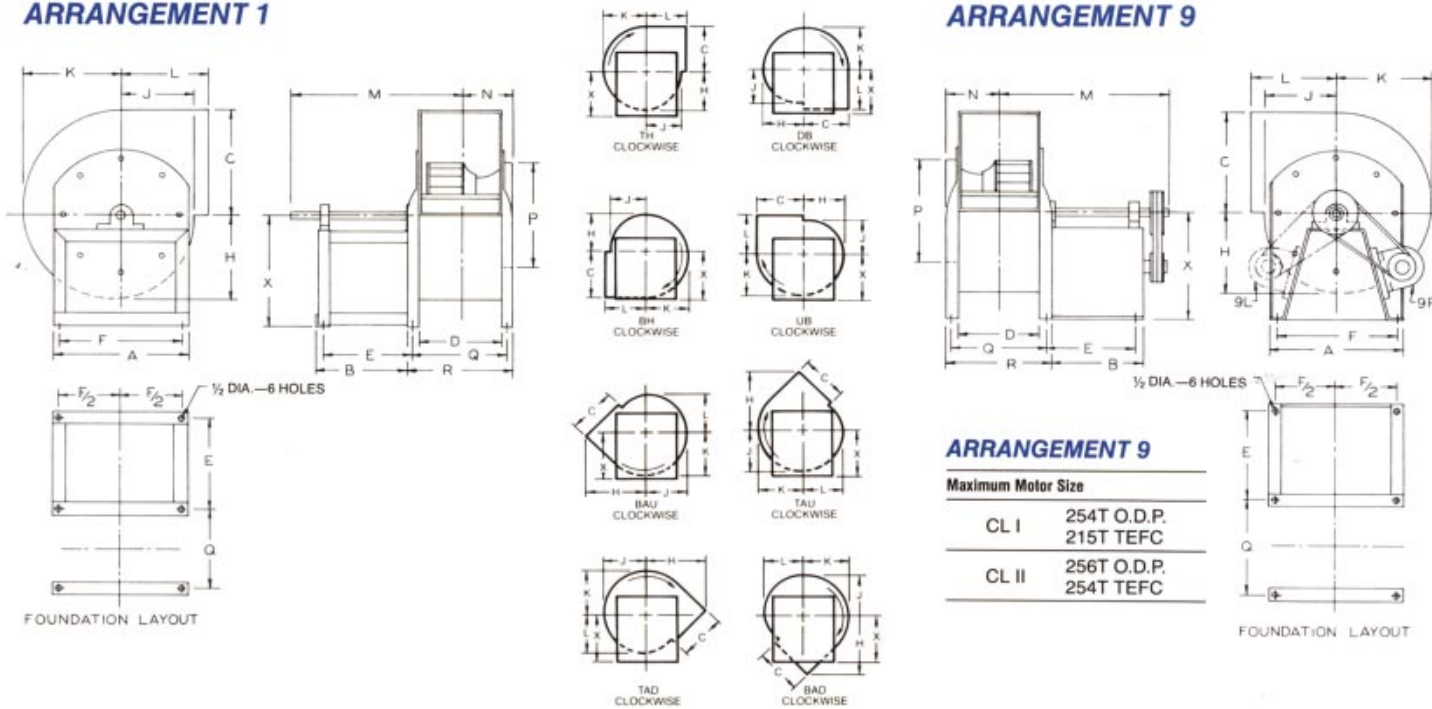
Class I **Class III** **Class II** **Class IV**



CONSULT PERFORMANCE TABLES FOR BRAKE HORSEPOWER.

ARRANGEMENT 1

ARRANGEMENT 9



ARRANGEMENT 1 & 9-SWSI-CLASS I & II

MODEL NO.	WHL. DIA.	CLASS	SHAFT EXT. DIA.	KEYWAY	TH, DB, BH, UB STRAIGHT DISCH.								BAU, TAU, TAD, BAD ANGULAR DISCH.				M	N	P	Q	R	X		
					A	B	C	D	E	F	H	J	K	L	H	J							K	L
BI200	20	CLASS I	1-3/16	1/4 X 1/8 X 3-1/2	25	17	21-1/2	15-7/8	17	23-3/8	16-1/2	13-3/4	18-3/4	15-3/4	26-3/8	17-5/8	20-3/8	14-7/8	31-1/2	10	21-1/2	17-7/8	20-1/8	23-3/4
BI200	20	CLASS II	1-7/16	3/8 X 3/16 X 4	25	21	21-1/2	15-7/8	21	23-3/8	16-1/2	13-3/4	18-3/4	15-3/4	26-3/8	17-5/8	20-3/8	14-7/8	35-5/8	10	21-1/2	17-7/8	20-1/8	23-3/4

Note: Letters "C" and "D" are outside housing dimensions.

PEERLESS ELECTRIC "POWER FIXED 2000" PERFORMANCE TABLE

BI122-1

SINGLE-WIDTH

TIP SPEED(FPM)=3.207xRPM

WHEEL DIAMETER=12 1/4

OUTLET(.858Sq.Ft. Inside)

13 1/4"x9 5/8" Outside

INLET (.921 Sq.Ft. Inside)

13 1/4" Dia. Outside

MAX.HP=.1009(RPM/1000)3

MAX.RPM

CL.1 2978

CL.2 3883

CL.3 4897

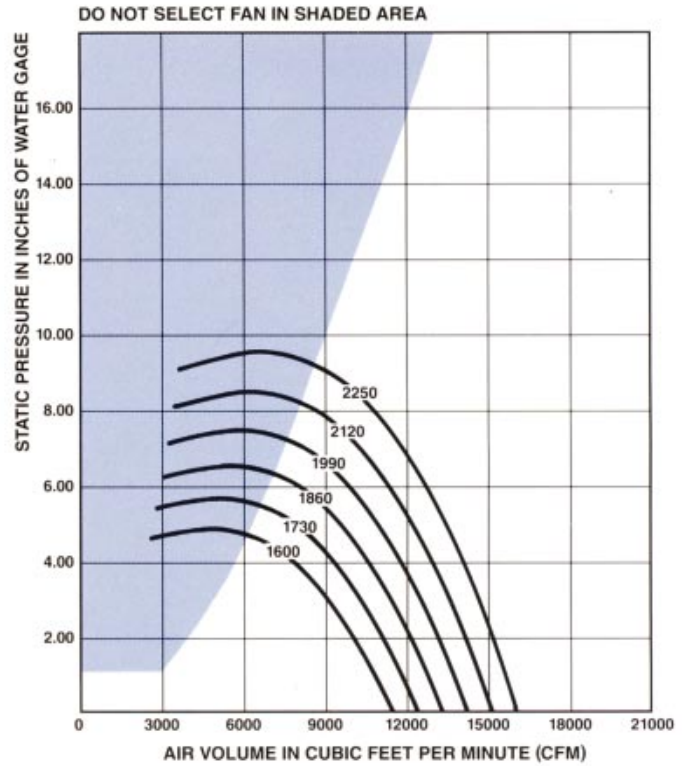
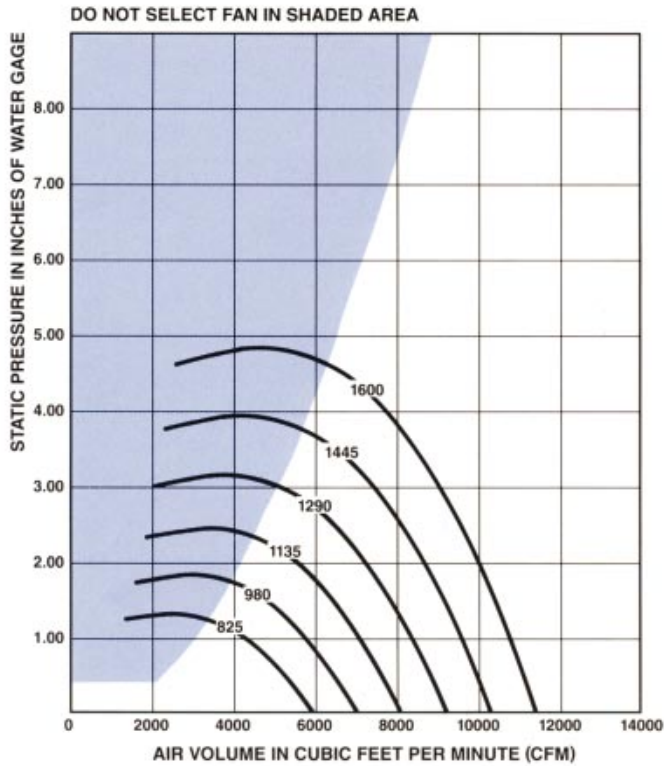
VOL	VEL	.25 SP		.5 SP		.75 SP		1 SP		1.25 SP		1.5 SP		2 SP		2.5 SP		3 SP		3.5 SP	
CFM	FPM	RPM	BHP	RPM	BHP	RPM	BHP	RPM	BHP	RPM	BHP	RPM	BHP	RPM	BHP	RPM	BHP	RPM	BHP	RPM	BHP
686	800	756	0.04	955	0.08	-	-	-	-	-	-	-	-	-	-	-	-	-	-	-	-
772	900	804	0.05	981	0.09	1155	0.13	-	-	-	-	-	-	-	-	-	-	-	-	-	-
858	1000	856	0.06	1015	0.10	1174	0.15	1328	0.20	-	-	-	-	-	-	-	-	-	-	-	-
944	1100	911	0.08	1056	0.12	1201	0.16	1344	0.22	1482	0.28	-	-	-	-	-	-	-	-	-	-
1030	1200	968	0.09	1101	0.13	1234	0.18	1367	0.24	1497	0.30	1623	0.36	-	-	-	-	-	-	-	-
1115	1300	1025	0.11	1151	0.15	1273	0.20	1396	0.26	1518	0.32	1638	0.39	-	-	-	-	-	-	-	-
1201	1400	1084	0.13	1203	0.18	1317	0.23	1431	0.28	1545	0.34	1657	0.41	1876	0.56	-	-	-	-	-	-
1287	1500	1143	0.15	1258	0.20	1364	0.25	1470	0.31	1576	0.37	1683	0.44	1891	0.59	2090	0.76	-	-	-	-
1373	1600	1204	0.17	1313	0.23	1414	0.28	1513	0.34	1613	0.41	1713	0.48	1910	0.63	2102	0.80	-	-	-	-
1459	1700	1266	0.20	1370	0.26	1466	0.32	1559	0.38	1653	0.44	1747	0.51	1934	0.67	2118	0.84	2296	1.03	-	-
1544	1800	1328	0.23	1428	0.29	1520	0.35	1608	0.42	1696	0.48	1785	0.55	1963	0.71	2138	0.89	2310	1.07	2476	1.28
1630	1900	1392	0.26	1486	0.32	1575	0.39	1660	0.46	1743	0.53	1827	0.60	1995	0.76	2162	0.93	2327	1.13	2488	1.33
1716	2000	1456	0.30	1545	0.36	1631	0.43	1713	0.50	1792	0.58	1871	0.65	2031	0.81	2190	0.99	2349	1.18	2504	1.39
1802	2100	1520	0.34	1604	0.40	1688	0.48	1767	0.55	1843	0.63	1918	0.70	2070	0.87	2222	1.04	2374	1.24	2523	1.45
1888	2200	1583	0.38	1664	0.45	1746	0.53	1822	0.61	1895	0.68	1967	0.76	2112	0.93	2257	1.11	2402	1.30	2546	1.51
1973	2300	1647	0.43	1725	0.50	1804	0.58	1879	0.66	1949	0.74	2018	0.83	2156	0.99	2295	1.18	2434	1.37	2573	1.58
2059	2400	1711	0.48	1787	0.55	1863	0.64	1935	0.72	2004	0.81	2071	0.89	2203	1.07	2336	1.25	2469	1.45	2602	1.66
2231	2600	1839	0.59	1913	0.67	1982	0.76	2051	0.85	2116	0.95	2179	1.04	2302	1.22	2424	1.41	2546	1.62	2669	1.83
2402	2800	1970	0.72	2040	0.82	2103	0.90	2168	1.00	2231	1.10	2291	1.20	2407	1.40	2520	1.60	2633	1.81	2747	2.03
2574	3000	2104	0.88	2168	0.98	2227	1.07	2287	1.17	2347	1.28	2405	1.38	2515	1.60	2622	1.81	2727	2.03	2833	2.25
2746	3200	2238	1.06	2296	1.15	2353	1.25	2408	1.36	2465	1.47	2521	1.58	2627	1.81	2728	2.04	2827	2.27	2926	2.50
2917	3400	2369	1.25	2423	1.35	2480	1.47	2531	1.57	2584	1.69	2638	1.81	2740	2.05	2838	2.29	2932	2.53	3025	2.77
VOL	VEL	4 SP		4.5 SP		5 SP		5.5 SP		6 SP		6.5 SP		7 SP		7.5 SP		8 SP		8.5 SP	
CFM	FPM	RPM	BHP	RPM	BHP	RPM	BHP	RPM	BHP	RPM	BHP	RPM	BHP	RPM	BHP	RPM	BHP	RPM	BHP	RPM	BHP
1802	2100	2670	1.67	2814	1.90	-	-	-	-	-	-	-	-	-	-	-	-	-	-	-	-
1888	2200	2688	1.74	2828	1.97	2965	2.21	-	-	-	-	-	-	-	-	-	-	-	-	-	-
1973	2300	2710	1.81	2845	2.05	2978	2.29	3108	2.55	-	-	-	-	-	-	-	-	-	-	-	-
2059	2400	2734	1.89	2865	2.13	2995	2.38	3122	2.63	3246	2.90	-	-	-	-	-	-	-	-	-	-
2231	2600	2792	2.06	2915	2.30	3036	2.56	3157	2.82	3275	3.09	3392	3.37	3507	3.67	3621	3.97	-	-	-	-
2402	2800	2861	2.26	2976	2.50	3089	2.76	3203	3.03	3315	3.31	3426	3.59	3536	3.89	3645	4.19	3752	4.50	3858	4.82
2574	3000	2939	2.48	3046	2.73	3153	2.99	3259	3.26	3365	3.54	3471	3.83	3575	4.13	3679	4.44	3782	4.76	3883	5.08
2746	3200	3026	2.74	3125	2.99	3225	3.25	3325	3.52	3425	3.81	3525	4.10	3624	4.40	3723	4.72	3820	5.04	3918	5.37
2917	3400	3118	3.02	3212	3.28	3305	3.54	3399	3.82	3494	4.10	3588	4.40	3682	4.71	3775	5.02	3869	5.35	3961	5.68
3089	3600	3216	3.33	3304	3.60	3393	3.87	3481	4.14	3570	4.43	3659	4.73	3748	5.04	3837	5.36	3925	5.69	4014	6.02
3260	3800	3319	3.67	3402	3.94	3486	4.22	3569	4.51	3653	4.80	3737	5.10	3821	5.41	3906	5.73	3990	6.06	4074	6.40
3432	4000	3425	4.04	3504	4.32	3584	4.61	3663	4.90	3742	5.20	3822	5.50	3902	5.82	3981	6.14	4061	6.47	4141	6.81
3604	4200	3534	4.43	3610	4.73	3686	5.03	3761	5.33	3836	5.63	3912	5.95	3988	6.26	4064	6.59	4140	6.93	4216	7.27
3775	4400	3645	4.85	3718	5.16	3791	5.47	3863	5.79	3935	6.10	4007	6.42	4079	6.75	4151	7.08	4223	7.42	4296	7.77
3947	4600	3757	5.30	3828	5.63	3899	5.95	3968	6.28	4037	6.60	4106	6.93	4175	7.27	4243	7.61	4312	7.95	4382	8.30
4118	4800	3871	5.78	3940	6.12	4008	6.46	4075	6.80	4142	7.14	4208	7.48	4274	7.82	4340	8.17	4406	8.52	4472	8.88
4290	5000	3986	6.29	4054	6.65	4120	7.00	4185	7.36	4249	7.71	4313	8.06	4377	8.42	4440	8.78	4503	9.14	4567	9.50
4462	5200	4101	6.83	4168	7.20	4233	7.58	4296	7.94	4359	8.31	4421	8.68	4482	9.05	4543	9.42	4604	9.79	4665	10.16
4633	5400	4218	7.40	4283	7.79	4347	8.18	4409	8.57	4470	8.95	4530	9.33	4590	9.71	4649	10.09	4707	10.48	4766	10.86
VOL	VEL	9 SP		9.5 SP		10 SP		10.5 SP		11 SP		11.5 SP		12 SP		12.5 SP		13 SP		13.5 SP	
CFM	FPM	RPM	BHP	RPM	BHP	RPM	BHP	RPM	BHP	RPM	BHP	RPM	BHP	RPM	BHP	RPM	BHP	RPM	BHP	RPM	BHP
2574	3000	3984	5.41	4083	5.75	4181	6.10	-	-	-	-	-	-	-	-	-	-	-	-	-	-
2746	3200	4014	5.71	4110	6.05	4204	6.40	4298	6.76	4390	7.13	-	-	-	-	-	-	-	-	-	-
2917	3400	4054	6.02	4145	6.37	4236	6.73	4326	7.09	4416	7.46	4504	7.84	4592	8.22	4679	8.61	-	-	-	-
3089	3600	4102	6.37	4189	6.72	4276	7.08	4363	7.45	4449	7.83	4534	8.21	4619	8.59	4703	8.99	4787	9.39	4870	9.80
3260	3800	4158	6.75	4241	7.11	4325	7.47	4408	7.84	4491	8.22	4573	8.61	4654	9.00	4736	9.40	4816	9.80	4897	10.22
3432	4000	4221	7.17	4301	7.52	4381	7.89	4460	8.27	4540	8.65	4619	9.04	4697	9.44	4776	9.84	4853	10.25	4931	10.67
3604	4200	4292	7.62	4368	7.98	4444	8.35	4520	8.73	4596	9.12	4672	9.51	4747	9.91	4823	10.32	4898	10.73	4972	11.15
3775	4400	4369	8.12	4441	8.48	4514	8.85	4587	9.23	4660	9.62	4732	10.02	4805	10.42	4877	10.83	4949	11.25	5021	11.68
3947	4600	4451	8.66	4520	9.03	4590	9.40	4659	9.78	4729	10.17	4799	10.57	4868	10.98	4938	11.39	5007	11.81	5076	12.24
4118	4800	4538	9.25	4605	9.62	4671	9.99	4738	10.38	4804	10.77	4871	11.17	4938	11.58	5004	11.99	5071	12.42	5138	12.85
4290	5000	4630	9.87	4694	10.25	4757	10.63	4821	11.02	4885	11.41	4949	11.82	5013	12.23	5077	12.64	5141	13.07	5205	13.50
4462	5200	4726	10.54	4787	10.92	4848	11.31	4909	11.71	4970	12.11	5031	12.51	5093	12.92	5154	13.34	5216	13.77	5277	14.20
4633	5400	4825	11.25	4883	11.64	4942	12.04	5001	12.44	5060	12.84	5119	13.25	5178	13.67	5237	14.10	5296	14.52	5355	14.96

Performance certified is for installation type B - free inlet, ducted outlet.

Power Rating (BHP) does not include transmission losses.

Performance ratings do not include the effects of appurtenances (accessories).

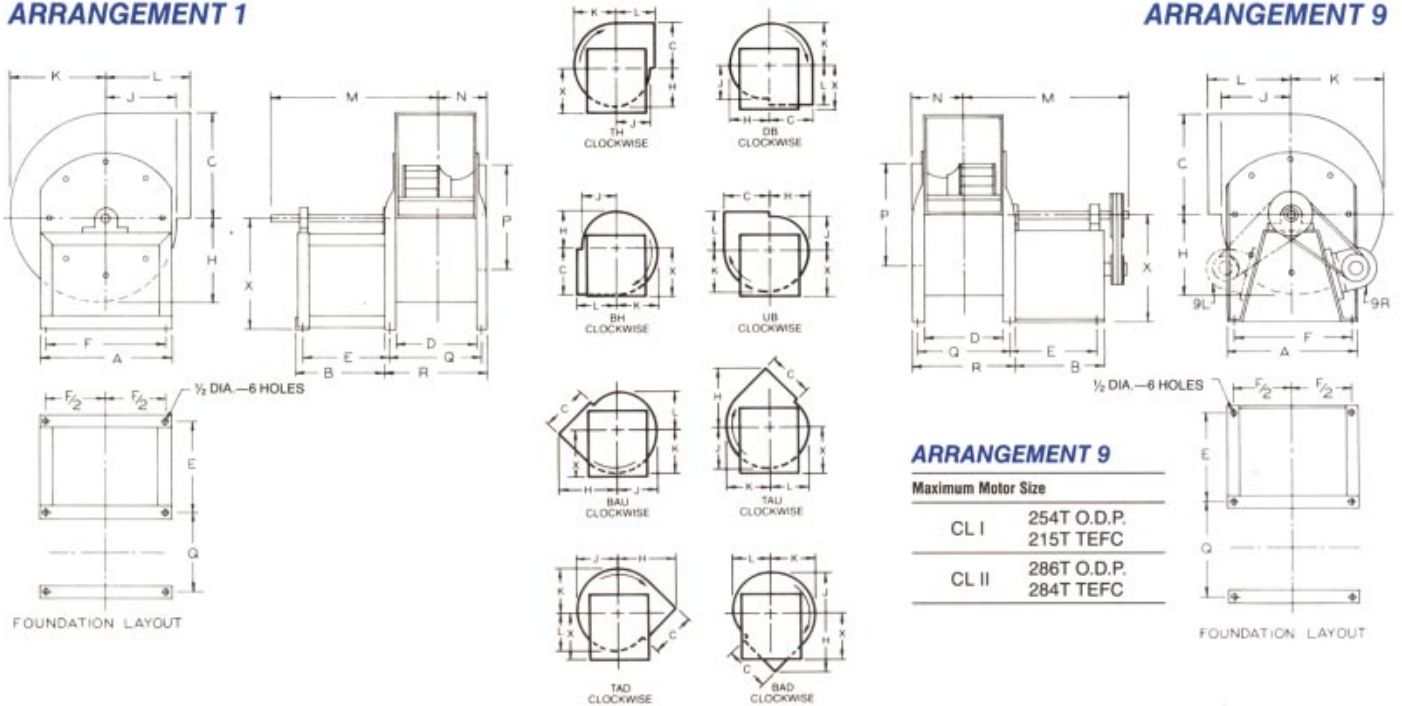
Class I Class III Class II Class IV



CONSULT PERFORMANCE TABLES FOR BRAKE HORSEPOWER.

ARRANGEMENT 1

ARRANGEMENT 9



ARRANGEMENT 1 & 9-SWSI-CLASS I & II

MODEL NO.	WHL. DIA.	CLASS	SHAFT EXT. DIA.	KEYWAY	TH, DB, BH, UB STRAIGHT DISCH.										BAU, TAU, TAD, BAD ANGULAR DISCH.									
					A	B	C	D	E	F	H	J	K	L	H	J	K	L	M	N	P	Q	R	X
BI222	22-1/4	CLASS I	1-3/16	1/4 X 1/8 X 3-1/2	27-3/8	16-1/2	24	17-3/8	17	25-3/4	18-1/4	15-1/4	20-7/8	17-1/4	29	19-1/2	22-5/8	16-1/2	32-3/4	10-5/8	23-7/8	19-3/8	22-5/8	26-1/8
BI222	22-1/4	CLASS II	1-11/16	3/8 X 3/16 X 4	27-3/8	22-1/2	24	17-3/8	23	25-3/4	18-1/4	15-1/4	20-7/8	17-1/4	29	19-1/2	22-5/8	16-1/2	38-3/8	10-5/8	23-7/8	19-3/8	22-5/8	26-1/8

Note: Letters "C" and "D" are outside housing dimensions.

PEERLESS ELECTRIC "POWER FIXED 2000" PERFORMANCE TAB

BI245-1

TIP SPEED (FPM) = 6.414 x RPM

OUTLET(3.458 Sq.Ft. Inside)

MAX. HP = 3.0246 (RPM/1000)³

SINGLE-WIDTH

26 1/4"x19 1/4" Outside

MAX.RPM

WHEEL DIAMETER = 24-1/2"

INLET (3.650 Sq.Ft. Inside)

CL. I 1508

26 3/8" Dia. Outside

CL. II 1967

CL. III 2480

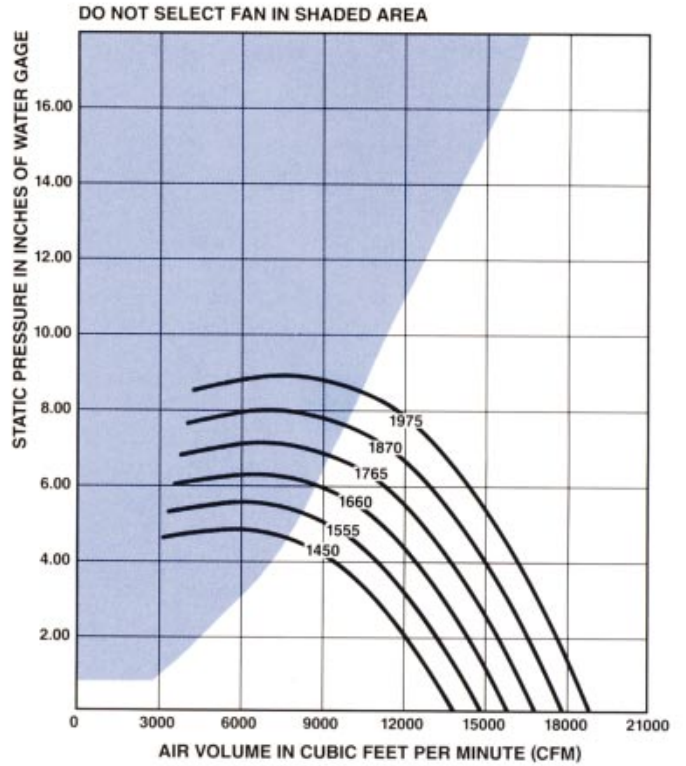
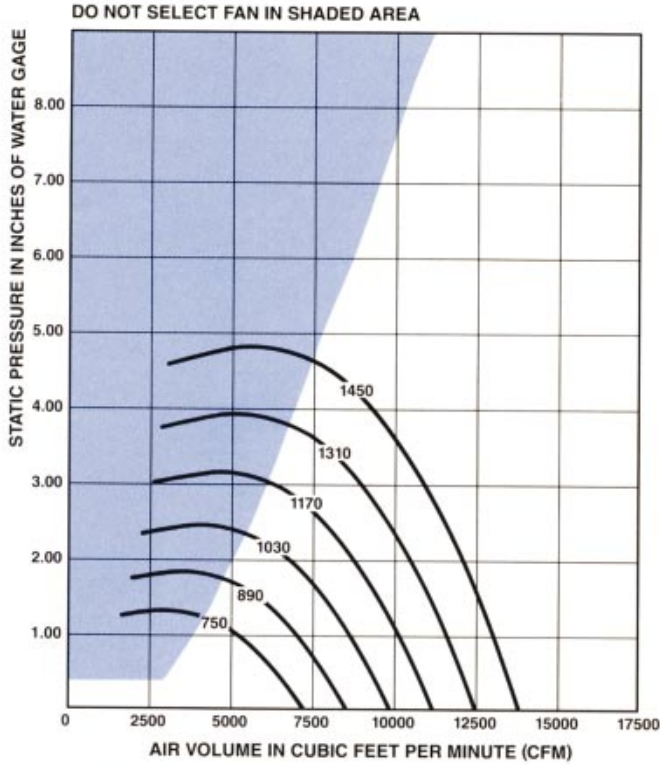
VOL	VEL	.25 SP		.5 SP		.75 SP		1 SP		1.25 SP		1.5 SP		2 SP		2.5 SP		3 SP		3.5 SP	
CFM	FPM	RPM	BHP	RPM	BHP	RPM	BHP	RPM	BHP	RPM	BHP	RPM	BHP	RPM	BHP	RPM	BHP	RPM	BHP	RPM	BHP
3458	1000	444	0.26	523	0.42	600	0.61	674	0.82	-	-	-	-	-	-	-	-	-	-	-	-
3804	1100	473	0.31	545	0.48	616	0.68	685	0.90	752	1.13	-	-	-	-	-	-	-	-	-	-
4150	1200	503	0.37	570	0.55	635	0.76	700	0.98	762	1.23	823	1.49	-	-	-	-	-	-	-	-
4495	1300	534	0.44	596	0.63	657	0.85	717	1.08	776	1.33	833	1.59	-	-	-	-	-	-	-	-
4841	1400	566	0.52	623	0.72	680	0.94	736	1.18	792	1.44	846	1.71	951	2.31	-	-	-	-	-	-
5187	1500	599	0.61	652	0.82	705	1.05	758	1.30	810	1.57	862	1.85	962	2.45	-	-	-	-	-	-
5533	1600	632	0.71	682	0.93	732	1.17	781	1.43	831	1.70	879	1.99	975	2.61	1067	3.29	-	-	-	-
5879	1700	665	0.82	712	1.06	759	1.31	806	1.57	853	1.85	899	2.15	990	2.79	1078	3.47	1164	4.21	-	-
6224	1800	699	0.95	743	1.19	788	1.45	832	1.73	876	2.02	920	2.32	1007	2.97	1091	3.67	1174	4.42	-	-
6570	1900	733	1.09	775	1.34	817	1.61	859	1.90	901	2.20	943	2.51	1025	3.17	1106	3.89	1186	4.65	1263	5.46
6916	2000	767	1.24	807	1.51	847	1.79	887	2.08	927	2.39	967	2.71	1046	3.39	1123	4.12	1200	4.90	1274	5.72
7262	2100	802	1.41	840	1.68	878	1.98	916	2.28	954	2.60	992	2.93	1067	3.63	1142	4.37	1215	5.17	1287	6.00
7608	2200	836	1.59	873	1.88	909	2.18	946	2.50	982	2.82	1018	3.16	1090	3.88	1162	4.64	1232	5.45	1302	6.30
7953	2300	871	1.79	906	2.09	941	2.40	975	2.73	1010	3.06	1045	3.41	1114	4.15	1183	4.92	1251	5.75	1318	6.61
8299	2400	906	2.00	939	2.32	973	2.64	1006	2.98	1039	3.32	1073	3.68	1139	4.43	1205	5.23	1270	6.07	1335	6.95
8991	2600	976	2.49	1007	2.83	1038	3.17	1069	3.53	1099	3.90	1130	4.28	1191	5.07	1253	5.90	1313	6.77	1374	7.68
9682	2800	1046	3.05	1075	3.41	1104	3.78	1132	4.16	1161	4.55	1190	4.95	1247	5.78	1304	6.64	1360	7.55	1417	8.49
10374	3000	1117	3.70	1144	4.08	1171	4.48	1197	4.88	1224	5.29	1251	5.71	1304	6.58	1357	7.48	1411	8.42	1463	9.40
11066	3200	1188	4.44	1213	4.84	1238	5.26	1263	5.68	1289	6.12	1314	6.56	1364	7.47	1414	8.41	1463	9.39	1513	10.40
11757	3400	1259	5.26	1283	5.69	1307	6.13	1330	6.58	1354	7.04	1377	7.50	1425	8.45	1472	9.43	1519	10.45	1566	11.50
12449	3600	1331	6.20	1353	6.65	1375	7.11	1398	7.58	1420	8.06	1442	8.55	1487	9.54	1531	10.56	1576	11.62	1620	12.70
13140	3800	1402	7.23	1423	7.71	1445	8.20	1466	8.69	1487	9.19	1508	9.70	1550	10.74	1592	11.80	1634	12.90	1676	14.02
VOL	VEL	4 SP		4.5 SP		5 SP		5.5 SP		6 SP		6.5 SP		7 SP		7.5 SP		8 SP		8.5 SP	
CFM	FPM	RPM	BHP	RPM	BHP	RPM	BHP	RPM	BHP	RPM	BHP	RPM	BHP	RPM	BHP	RPM	BHP	RPM	BHP	RPM	BHP
7262	2100	1358	6.87	1427	7.79	-	-	-	-	-	-	-	-	-	-	-	-	-	-	-	-
7608	2200	1370	7.18	1437	8.11	1503	9.07	-	-	-	-	-	-	-	-	-	-	-	-	-	-
7953	2300	1384	7.51	1449	8.45	1513	9.43	1576	10.44	-	-	-	-	-	-	-	-	-	-	-	-
8299	2400	1399	7.86	1462	8.82	1524	9.81	1585	10.83	1646	11.88	-	-	-	-	-	-	-	-	-	-
8991	2600	1434	8.62	1493	9.61	1551	10.62	1609	11.67	1666	12.76	1723	13.87	1778	15.01	-	-	-	-	-	-
9682	2800	1473	9.47	1528	10.48	1584	11.53	1638	12.61	1692	13.72	1746	14.86	1799	16.03	1851	17.23	1903	18.45	-	-
10374	3000	1516	10.41	1568	11.45	1620	12.53	1672	13.64	1723	14.78	1774	15.94	1825	17.14	1874	18.37	1924	19.63	1973	20.91
11066	3200	1563	11.44	1612	12.52	1661	13.63	1710	14.77	1759	15.93	1807	17.13	1855	18.36	1902	19.62	1950	20.90	1996	22.21
11757	3400	1612	12.57	1659	13.69	1705	14.83	1752	16.00	1798	17.20	1844	18.43	1889	19.69	1934	20.97	1979	22.28	2024	23.62
12449	3600	1664	13.82	1709	14.97	1753	16.14	1796	17.34	1840	18.58	1884	19.84	1927	21.12	1970	22.44	2013	23.78	2056	25.15
13140	3800	1718	15.17	1760	16.36	1802	17.57	1844	18.80	1886	20.07	1927	21.36	1968	22.68	2010	24.02	2051	25.40	2092	26.79
13832	4000	1774	16.65	1814	17.87	1854	19.11	1894	20.38	1934	21.68	1973	23.01	2013	24.36	2052	25.74	2091	27.14	2130	28.57
14524	4200	1832	18.24	1870	19.50	1908	20.78	1946	22.09	1984	23.43	2022	24.79	2059	26.17	2097	27.58	2134	29.02	2172	30.47
15215	4400	1891	19.96	1927	21.26	1963	22.58	2000	23.93	2036	25.30	2072	26.69	2108	28.11	2144	29.56	2180	31.02	2216	32.51
15907	4600	1951	21.82	1986	23.16	2020	24.52	2055	25.90	2090	27.31	2125	28.74	2159	30.20	2194	31.67	2228	33.17	2263	34.70
16598	4800	2012	23.81	2045	25.19	2079	26.59	2112	28.02	2145	29.46	2178	30.93	2212	32.42	2245	33.93	2278	35.47	2311	37.03
17290	5000	2074	25.96	2106	27.37	2138	28.82	2170	30.28	2202	31.76	2234	33.27	2266	34.80	2298	36.35	2330	37.92	2361	39.51
17982	5200	2137	28.25	2168	29.71	2199	31.19	2229	32.69	2260	34.22	2291	35.76	2322	37.33	2352	38.92	2383	40.52	2414	42.15
18673	5400	2200	30.69	2230	32.19	2260	33.72	2289	35.26	2319	36.82	2349	38.41	2378	40.02	2408	41.64	2437	43.29	2467	44.95
VOL	VEL	9 SP		9.5 SP		10 SP		10.5 SP		11 SP		11.5 SP		12 SP		12.5 SP		13 SP		13.5 SP	
CFM	FPM	RPM	BHP	RPM	BHP	RPM	BHP	RPM	BHP	RPM	BHP	RPM	BHP	RPM	BHP	RPM	BHP	RPM	BHP	RPM	BHP
10374	3000	2021	22.21	-	-	-	-	-	-	-	-	-	-	-	-	-	-	-	-	-	-
11066	3200	2043	23.54	2089	24.90	2134	26.28	2179	27.69	-	-	-	-	-	-	-	-	-	-	-	-
11757	3400	2069	24.98	2113	26.37	2156	27.78	2200	29.21	2243	30.67	2286	32.15	2328	33.65	-	-	-	-	-	-
12449	3600	2099	26.54	2141	27.95	2183	29.39	2224	30.86	2266	32.34	2307	33.85	2348	35.38	2388	36.93	2429	38.51	2469	40.10
13140	3800	2132	28.21	2173	29.66	2213	31.13	2253	32.62	2293	34.13	2332	35.67	2372	37.23	2411	38.81	2450	40.41	2488	42.03
13832	4000	2169	30.02	2208	31.49	2247	32.99	2285	34.51	2323	36.06	2361	37.62	2399	39.21	2437	40.82	2474	42.45	2512	44.10
14524	4200	2209	31.96	2246	33.46	2283	34.99	2320	36.54	2357	38.11	2394	39.71	2430	41.32	2466	42.96	2503	44.62	2539	46.30
15215	4400	2252	34.02	2287	35.56	2323	37.12	2359	38.70	2394	40.30	2429	41.93	2464	43.58	2499	45.24	2534	46.93	2569	48.64
15907	4600	2297	36.25	2331	37.81	2365	39.40	2399	41.02	2433	42.65	2467	44.31	2501	45.98	2535	47.68	2568	49.39	2602	51.13
16598	4800	2344	38.61	2377	40.21	2410	41.83	2443	43.48	2475	45.14	2508	46.83	2541	48.53	2573	50.26	2606	52.01	2638	53.77
17290	5000	2393	41.12	2425	42.76	2457	44.42	2488	46.09	2520	47.79	2551	49.51	2583	51.25	2614	53.01	2645	54.78	2676	56.58
17982	5200	2444	43.80	2475	45.47	2505	47.16	2536	48.87	2566	50.60	2596	52.36	2627	54.12	2657	55.91	2687	57.72	2717	59.55
18673	5400	2496	46.64	2526	48.34	2555	50.07	2585	51.81	2614	53.58	2643	55.36	2673	57.17	2702	58.99	2731	60.83	2760	62.69

Performance certified is for installation type B - free inlet, ducted outlet.

Power Rating (BHP) does not include transmission losses.

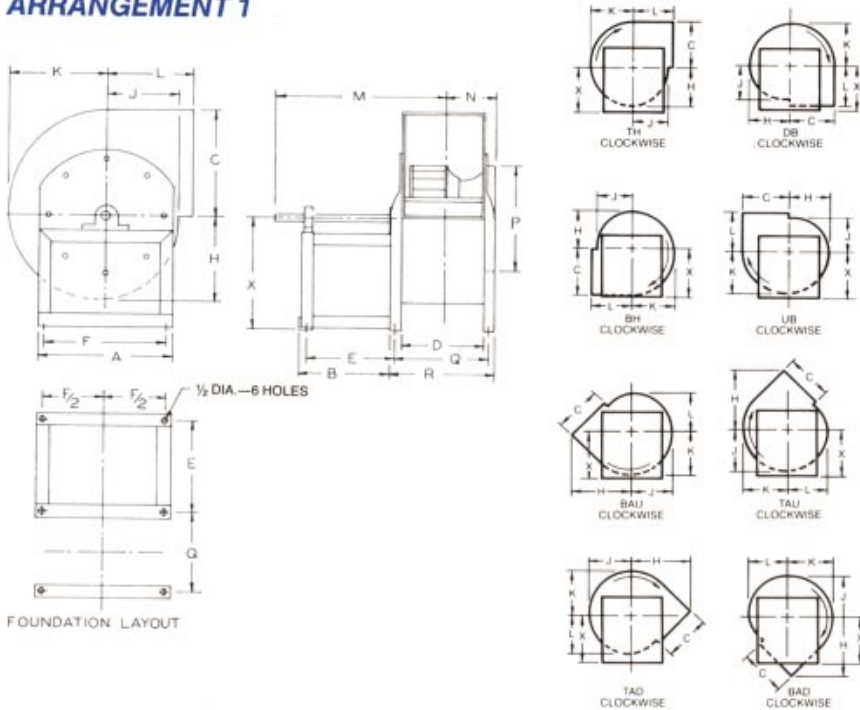
Class I Class III Class II Class IV

Performance ratings do not include the effects of appurtenances (accessories).

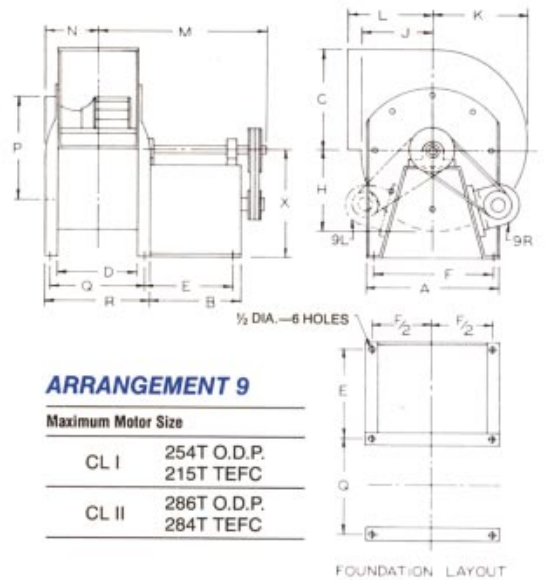


CONSULT PERFORMANCE TABLES FOR BRAKE HORSEPOWER.

ARRANGEMENT 1



ARRANGEMENT 9



ARRANGEMENT 1 & 9-SWSI-CLASS I & II

MODEL NO.	WHL. DIA.	CLASS	SHAFT EXT. DIA.	TH, DB, BH, UB STRAIGHT DISCH.								BAU, TAU, TAD, BAD ANGULAR DISCH.				M	N	P	Q	R	X			
				KEYWAY	A	B	C	D	E	F	H	J	K	L	H							J	K	L
BI245	24-1/2	CLASS I	1-7/16	3/8 X 3/16 X 3-1/2	30-1/4	17-7/8	26-1/4	19-1/4	18-1/8	23-5/8	20-1/8	16-7/8	23	19-7/8	32-1/2	21-1/2	24-7/8	18-1/4	34-1/2	11-3/4	26-3/8	21-1/4	24-1/2	27-3/4
BI245	24-1/2	CLASS II	1-11/16	3/8 X 3/16 X 5	30-1/4	22-1/2	26-1/4	19-1/4	22-3/4	23-5/8	20-1/8	16-7/8	23	19-7/8	32-1/2	21-1/2	24-7/8	18-1/4	40-1/2	11-3/4	26-3/8	21-1/4	24-1/2	27-3/4

Note: Letters "C" and "D" are outside housing dimensions.

PEERLESS ELECTRIC "POWER FIXED 2000" PERFORMANCE TABLE

BI222-2

DOUBLE-WIDTH

TIP SPEED (FPM) = 5.825 x RPM

OUTLET

(5.094 Sq. Ft. Inside)

MAX. HP = 3.6887 (RPM/1000)³

24" x 31" Outside

MAX. RPM

(6.030 Sq. Ft. Inside)

CL. I 1652

23-7/8" Dia. Outside

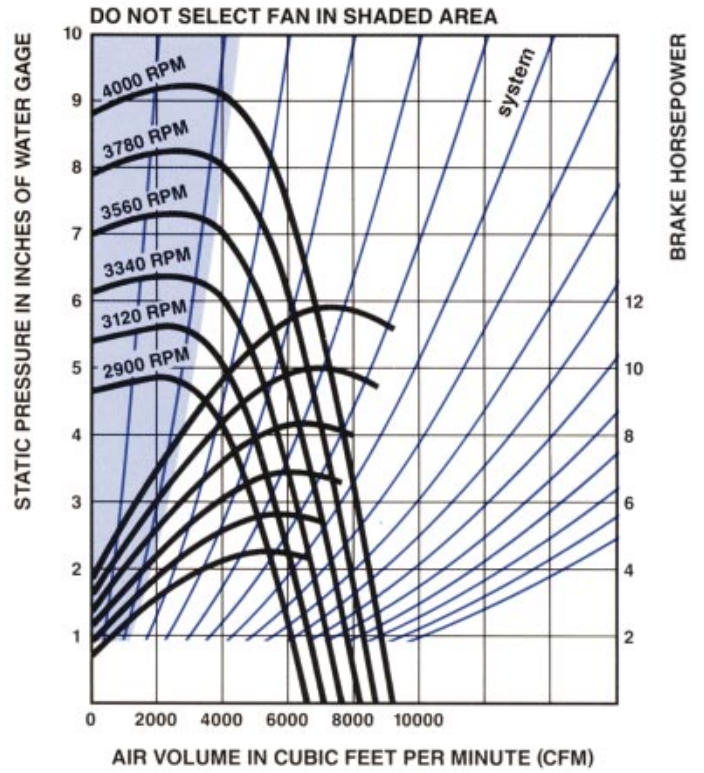
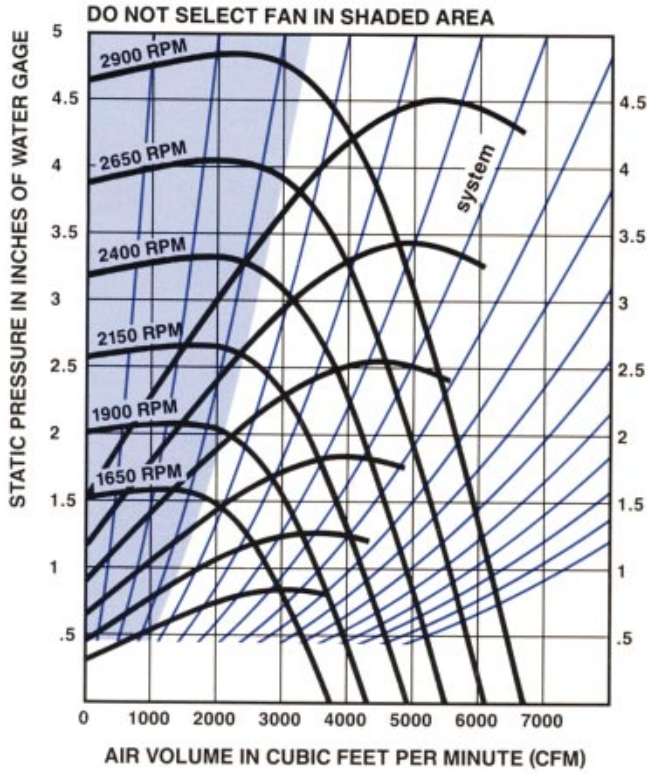
CL. II 2155

CL. III 2716

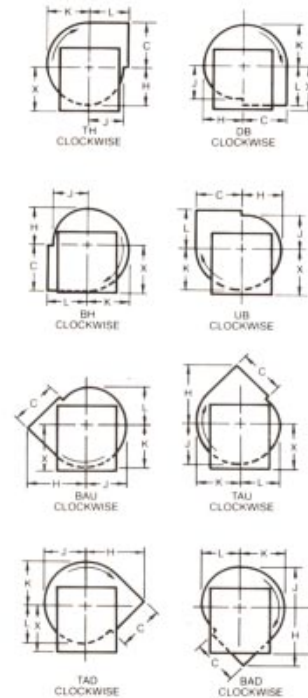
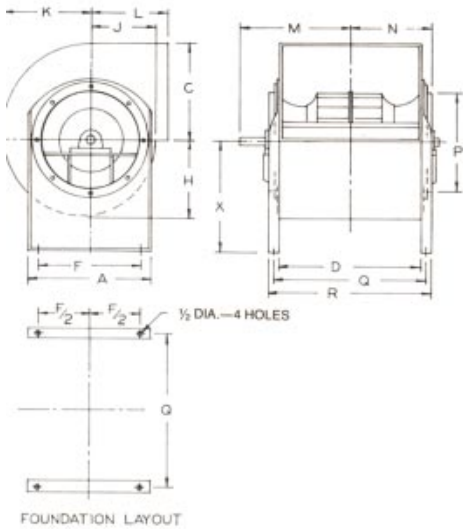
WHEEL DIAMETER = 22-1/4"

INLET

VOL CFM	VEL FPM	.25 SP		.5 SP		.75 SP		1 SP		1.25 SP		1.5 SP		2 SP		2.5 SP		3 SP		3.5 SP	
		RPM	BHP	RPM	BHP	RPM	BHP	RPM	BHP	RPM	BHP	RPM	BHP	RPM	BHP	RPM	BHP	RPM	BHP	RPM	BHP
5094	1000	464	0.37	557	0.62	647	0.92	-	-	-	-	-	-	-	-	-	-	-	-	-	-
5603	1100	492	0.44	577	0.70	661	1.00	741	1.35	-	-	-	-	-	-	-	-	-	-	-	-
6113	1200	521	0.52	600	0.79	677	1.11	753	1.46	826	1.85	-	-	-	-	-	-	-	-	-	-
6622	1300	551	0.60	625	0.90	697	1.22	768	1.59	836	1.98	903	2.41	-	-	-	-	-	-	-	-
7132	1400	581	0.70	652	1.02	719	1.35	785	1.73	850	2.13	913	2.57	-	-	-	-	-	-	-	-
7641	1500	612	0.82	680	1.15	743	1.50	805	1.88	866	2.30	926	2.74	1043	3.71	-	-	-	-	-	-
8150	1600	643	0.94	708	1.30	768	1.66	826	2.05	884	2.48	941	2.93	1053	3.92	-	-	-	-	-	-
8660	1700	675	1.08	738	1.46	795	1.84	850	2.24	904	2.68	959	3.14	1065	4.14	1168	5.24	-	-	-	-
9169	1800	707	1.24	767	1.64	822	2.04	875	2.45	926	2.89	978	3.37	1079	4.39	1178	5.50	1274	6.72	-	-
9679	1900	740	1.42	797	1.83	850	2.25	901	2.68	950	3.13	999	3.61	1096	4.65	1191	5.78	1283	7.01	-	-
10188	2000	774	1.61	828	2.04	879	2.48	928	2.93	975	3.39	1021	3.88	1114	4.94	1205	6.09	1294	7.33	1381	8.65
10697	2100	808	1.83	858	2.26	909	2.73	955	3.20	1000	3.68	1045	4.18	1134	5.25	1221	6.42	1307	7.67	1391	9.00
11207	2200	842	2.06	890	2.50	938	3.00	984	3.49	1027	3.98	1070	4.49	1155	5.59	1239	6.77	1321	8.04	1403	9.39
11716	2300	875	2.32	921	2.77	968	3.28	1013	3.79	1055	4.31	1096	4.83	1177	5.94	1258	7.15	1337	8.44	1416	9.80
12226	2400	909	2.59	953	3.05	999	3.58	1042	4.12	1093	4.65	1122	5.19	1201	6.33	1278	7.55	1355	8.86	1431	10.24
12735	2500	943	2.88	985	3.36	1029	3.91	1071	4.47	1111	5.02	1150	5.58	1225	6.74	1300	7.98	1374	9.31	1447	10.71
13244	2600	976	3.19	1018	3.70	1060	4.25	1101	4.84	1140	5.41	1178	5.99	1251	7.18	1323	8.44	1394	9.78	1465	11.20
13754	2700	1010	3.52	1051	4.06	1091	4.62	1131	5.22	1170	5.83	1206	6.43	1277	7.65	1346	8.93	1415	10.29	1484	11.73
14263	2800	1044	3.88	1085	4.45	1123	5.01	1162	5.64	1199	6.27	1235	6.89	1304	8.14	1371	9.45	1438	10.83	1504	12.28
14773	2900	1079	4.27	1119	4.87	1155	5.43	1192	6.07	1229	6.72	1264	7.37	1331	8.66	1397	10.00	1461	11.39	1525	12.87
15282	3000	1115	4.71	1152	5.31	1187	5.88	1223	6.53	1259	7.21	1294	7.88	1359	9.21	1423	10.57	1485	12.00	1547	13.49
16301	3200	1188	5.69	1220	6.28	1252	6.88	1286	7.54	1320	8.25	1354	8.97	1417	10.40	1477	11.83	1536	13.30	1594	14.83
17320	3400	1261	6.80	1288	7.35	1319	8.00	1350	8.67	1382	9.41	1414	10.17	1475	11.69	1533	13.20	1589	14.73	1644	16.31
VOL CFM	VEL FPM	4 SP		4.5 SP		5 SP		5.5 SP		6 SP		6.5 SP		7 SP		7.5 SP		8 SP		8.5 SP	
		RPM	BHP	RPM	BHP	RPM	BHP	RPM	BHP	RPM	BHP	RPM	BHP	RPM	BHP	RPM	BHP	RPM	BHP	RPM	BHP
11716	2300	1493	11.24	1569	12.75	1643	14.34	-	-	-	-	-	-	-	-	-	-	-	-	-	-
12226	2400	1506	11.69	1579	13.22	1651	14.81	1722	16.48	-	-	-	-	-	-	-	-	-	-	-	-
12735	2500	1520	12.17	1591	13.71	1661	15.32	1731	17.00	1798	18.74	-	-	-	-	-	-	-	-	-	-
13244	2600	1535	12.69	1605	14.24	1673	15.86	1740	17.55	1806	19.30	1872	21.12	-	-	-	-	-	-	-	-
13754	2700	1552	13.23	1619	14.80	1686	16.44	1751	18.13	1816	19.90	1880	21.73	1942	23.62	-	-	-	-	-	-
14263	2800	1570	13.81	1635	15.39	1700	17.04	1764	18.76	1827	20.53	1889	22.37	1951	24.27	2011	26.23	-	-	-	-
14773	2900	1589	14.41	1652	16.02	1715	17.69	1777	19.41	1839	21.20	1900	23.05	1960	24.96	2019	26.93	2078	28.95	-	-
15282	3000	1609	15.05	1671	16.68	1732	18.36	1792	20.11	1852	21.91	1912	23.77	1970	25.69	2028	27.67	2086	29.70	2142	31.79
16301	3200	1653	16.43	1711	18.09	1768	19.81	1826	21.60	1883	23.43	1939	25.33	1995	27.27	2051	29.27	2106	31.33	2160	33.43
17320	3400	1699	17.95	1754	19.65	1809	21.41	1863	23.23	1917	25.11	1971	27.03	2025	29.01	2078	31.04	2130	33.12	2182	35.25
18338	3600	1749	19.62	1801	21.36	1853	23.16	1904	25.02	1956	26.93	2007	28.89	2058	30.91	2109	32.97	2159	35.09	2209	37.25
19357	3800	1801	21.45	1850	23.23	1900	25.07	1949	26.96	1998	28.91	2046	30.92	2095	32.97	2143	35.07	2192	37.22	2239	39.41
20376	4000	1855	23.44	1902	25.27	1949	27.15	1996	29.08	2043	31.07	2089	33.11	2135	35.20	2182	37.34	2228	39.53	2274	41.76
21395	4200	1911	25.58	1956	27.48	2001	29.41	2046	31.38	2090	33.41	2134	35.48	2179	37.61	2223	39.79	2267	42.01	2311	44.28
22414	4400	1967	27.88	2011	29.85	2054	31.84	2097	33.86	2140	35.93	2182	38.04	2225	40.21	2267	42.42	2309	44.68	2351	46.99
23432	4600	2025	30.34	2068	32.39	2109	34.44	2151	36.53	2192	38.64	2232	40.80	2273	43.01	2314	45.26	2354	47.55	2395	49.90
24451	4800	2084	32.96	2125	35.09	2165	37.23	2205	39.37	2245	41.55	2284	43.76	2323	46.01	2362	48.30	2401	50.63	2440	53.01
25470	5000	2143	35.74	2183	37.96	2223	40.18	2261	42.41	2300	44.65	2338	46.92	2375	49.21	2413	51.55	2450	53.93	2488	56.35
26489	5200	2203	38.68	2242	41.01	2281	43.32	2319	45.63	2356	47.94	2393	50.27	2429	52.63	2465	55.02	2501	57.44	2538	59.90
27508	5400	2263	41.79	2302	44.22	2339	46.63	2376	49.03	2413	51.43	2448	53.83	2484	56.25	2519	58.70	2554	61.17	2589	63.68
28526	5600	2324	45.09	2362	47.61	2399	50.12	2435	52.62	2470	55.10	2505	57.59	2540	60.09	2574	62.60	2608	65.13	2642	67.69
VOL CFM	VEL FPM	9 SP		9.5 SP		10 SP		10.5 SP		11 SP		11.5 SP		12 SP		12.5 SP		13 SP		13.5 SP	
		RPM	BHP	RPM	BHP	RPM	BHP	RPM	BHP	RPM	BHP	RPM	BHP	RPM	BHP	RPM	BHP	RPM	BHP	RPM	BHP
18338	3600	2259	39.45	2308	41.71	2357	44.02	2405	46.37	2453	48.77	2501	51.22	2548	53.72	2595	56.26	-	-	-	-
19357	3800	2287	41.65	2334	43.94	2381	46.27	2428	48.65	2475	51.07	2521	53.54	2566	56.06	2612	58.62	2657	61.22	2701	63.87
20376	4000	2319	44.03	2365	46.35	2410	48.72	2455	51.12	2500	53.57	2544	56.06	2588	58.60	2632	61.18	2676	63.81	2719	66.47
21395	4200	2355	46.59	2398	48.95	2442	51.35	2485	53.79	2528	56.27	2571	58.79	2614	61.35	2656	63.96	2698	66.61	2740	69.29
22414	4400	2393	49.34	2435	51.74	2477	54.17	2519	56.65	2560	59.17	2602	61.72	2643	64.32	2684	66.95	2724	69.63	2765	72.34
23432	4600	2435	52.29	2475	54.72	2515	57.19	2555	59.71	2595	62.26	2635	64.86	2675	67.49	2714	70.15	2754	72.86	2793	75.60
24451	4800	2479	55.44	2518	57.91	2556	60.42	2595	62.97	2633	65.56	2672	68.19	2710	70.86	2748	73.57	2786	76.31	2824	79.09
25470	5000	2525	58.81	2562	61.31	2600	63.86	2637	66.45	2674	69.08	2711	71.75	2748	74.46	2785	77.20	2821	79.98	2858	82.79
26489	5200	2573	62.40	2609	64.94	2645	67.53	2681	70.15	2717	72.82	2752	75.53	2788	78.27	2824	81.05	2859	83.87	2895	86.72
27508	5400	2624	66.23	2658	68.81	2693	71.43	2727	74.09	2762	76.80	2796	79.54	2831	82.32	2865	85.14	2899	87.99	2934	90.88
28526	5																				



ARRANGEMENT 3



ARRANGEMENT 3-DWDI-CLASS I & II

MODEL NO.	WHL. DIA.	SHAFT EXT. DIA.	KEYWAY	SHAFT EXT. DIA.	KEYWAY	TH, DB, BH, UB STRAIGHT DISCH.				BAU, TAU, TAD, BAD ANGULAR DISCH.				CLASS I	CLASS II	N	P	Q	R	X				
						A	C	D	F	H	J	K	L								H	J	K	L
B1122	12-1/4	1-3/16	1/4 X 1/8 X 3-1/2	1-7/16	3/8 X 3/16 X 3-1/2	16-3/8	13-1/4	17-1/4	14-3/4	10-1/8	8-1/2	11-1/2	10-1/2	16-5/8	10-3/4	12-1/2	9-1/8	16	16	10-1/4	13-1/4	18-3/4	20-1/4	17

Note: Letters "C" and "D" are outside housing dimensions.

PEERLESS ELECTRIC "POWER FIXED 2000" PERFORMANCE TABLE B1135-2

DOUBLE-WIDTH

TIP SPEED (FPM) = 3.534 x R

OUTLE

(1.890 Sq. Ft. Inside)
14-5/8" x 19" Outside

MAX. HP = .3000 (RPM/1000)³

WHEEL DIAMETER = 13-1/2"

INLET

(2.216 Sq. Ft. Inside)
14-1/2" Dia. Outside

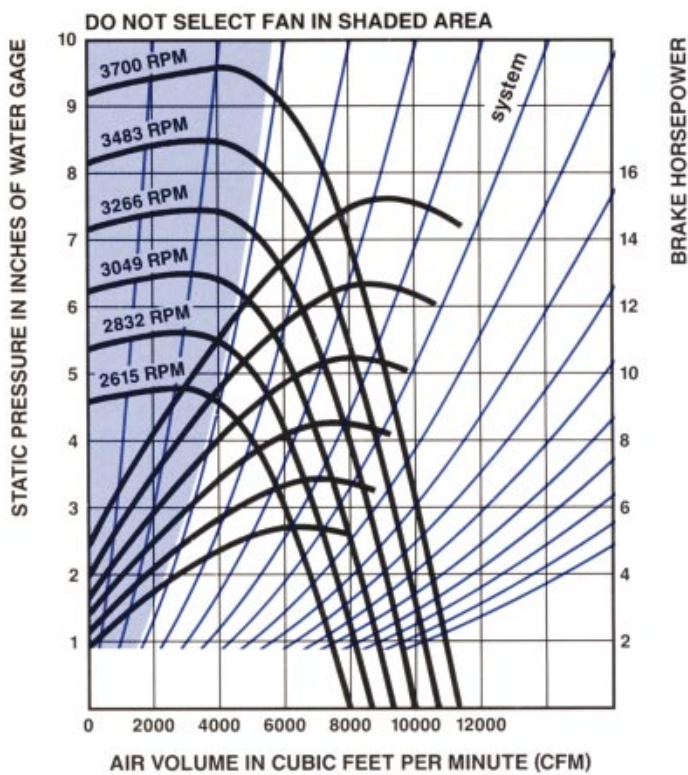
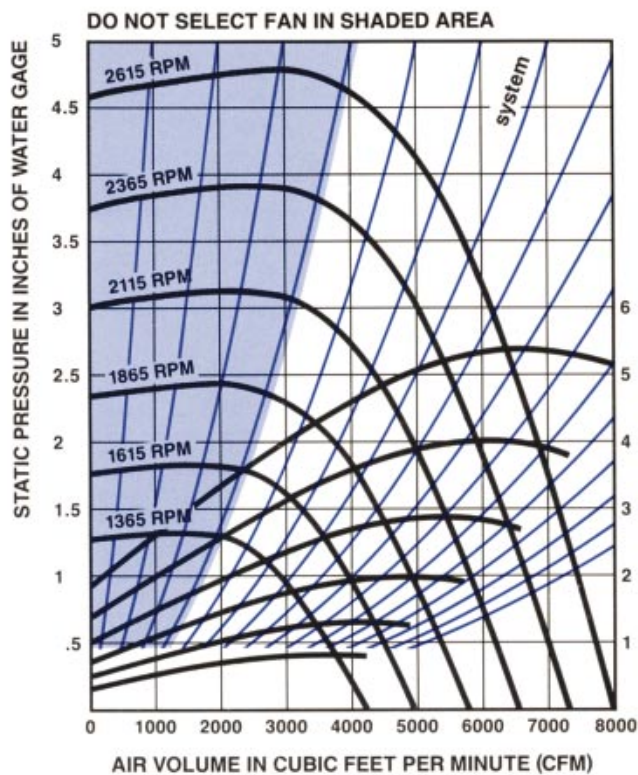
MAX.RPM

CL. I 2762

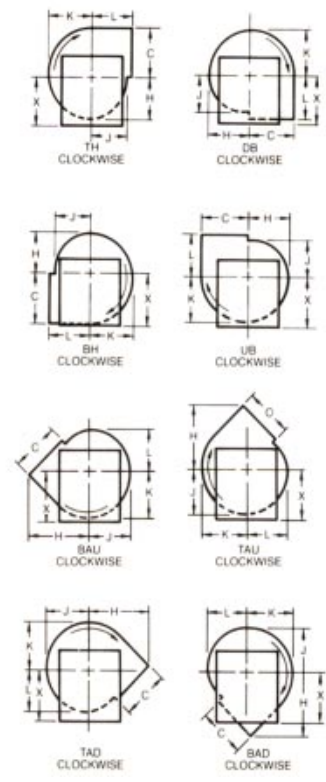
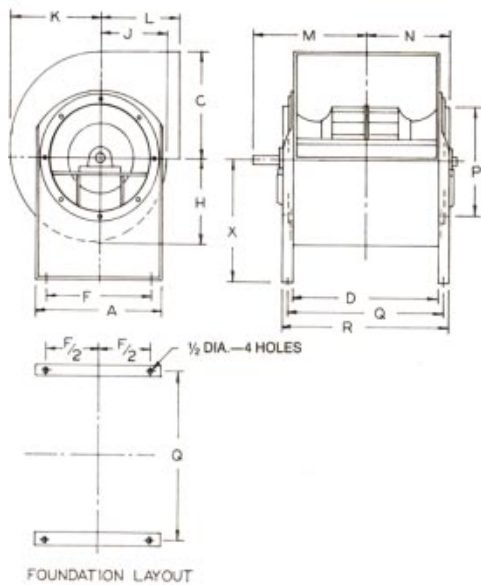
CL. II 3603

CL. III 4539

VOL CFM	VEL FPM	.25 SP		.5 SP		.75 SP		1 SP		1.25 SP		1.5 SP		2 SP		2.5 SP		3 SP		3.5 SP	
		RPM	BHP	RPM	BHP	RPM	BHP	RPM	BHP	RPM	BHP	RPM	BHP	RPM	BHP	RPM	BHP	RPM	BHP	RPM	BHP
1890	1000	789	0.15	939	0.24	1084	0.34	1221	0.46	-	-	-	-	-	-	-	-	-	-	-	-
2079	1100	839	0.18	977	0.27	1111	0.38	1239	0.51	-	-	-	-	-	-	-	-	-	-	-	-
2268	1200	890	0.21	1018	0.31	1142	0.42	1263	0.55	1380	0.69	-	-	-	-	-	-	-	-	-	-
2457	1300	942	0.25	1062	0.36	1178	0.47	1291	0.60	1402	0.75	1509	0.90	-	-	-	-	-	-	-	-
2646	1400	995	0.29	1109	0.41	1217	0.53	1324	0.66	1428	0.81	1530	0.96	1725	1.30	-	-	-	-	-	-
2835	1500	1048	0.34	1158	0.46	1260	0.59	1360	0.73	1458	0.88	1555	1.04	1742	1.38	-	-	-	-	-	-
3024	1600	1103	0.40	1208	0.53	1305	0.66	1399	0.80	1492	0.95	1584	1.12	1763	1.47	1934	1.86	-	-	-	-
3213	1700	1158	0.46	1260	0.59	1352	0.73	1441	0.88	1529	1.04	1616	1.20	1787	1.56	1952	1.96	-	-	-	-
3402	1800	1214	0.52	1312	0.67	1400	0.82	1485	0.97	1569	1.13	1652	1.30	1815	1.67	1973	2.07	2126	2.49	-	-
3591	1900	1271	0.60	1364	0.75	1450	0.91	1531	1.06	1610	1.23	1690	1.40	1845	1.78	1998	2.18	2146	2.62	2289	3.08
3780	2000	1329	0.68	1418	0.84	1501	1.01	1578	1.17	1654	1.34	1730	1.52	1879	1.90	2025	2.31	2168	2.75	2307	3.22
3969	2100	1387	0.78	1471	0.94	1552	1.11	1627	1.28	1700	1.46	1772	1.64	1915	2.03	2056	2.45	2193	2.90	2328	3.37
4158	2200	1446	0.88	1525	1.05	1604	1.23	1677	1.41	1747	1.59	1816	1.77	1953	2.17	2088	2.60	2221	3.05	2351	3.54
4347	2300	1504	0.99	1580	1.16	1657	1.35	1728	1.54	1796	1.72	1862	1.92	1994	2.32	2123	2.76	2252	3.22	2378	3.71
4536	2400	1563	1.11	1635	1.28	1710	1.48	1779	1.68	1845	1.87	1909	2.07	2036	2.48	2161	2.93	2284	3.40	2406	3.89
4725	2500	1621	1.23	1691	1.42	1763	1.62	1831	1.83	1896	2.03	1958	2.23	2079	2.66	2200	3.11	2319	3.58	2437	4.09
4914	2600	1680	1.37	1748	1.56	1817	1.77	1884	1.99	1947	2.20	2007	2.41	2125	2.84	2241	3.30	2356	3.79	2470	4.30
5103	2700	1739	1.51	1805	1.72	1871	1.93	1936	2.15	1998	2.37	2057	2.59	2171	3.04	2283	3.51	2394	4.00	2505	4.52
5292	2800	1798	1.67	1863	1.89	1926	2.10	1990	2.33	2050	2.56	2108	2.79	2219	3.25	2327	3.72	2435	4.22	2542	4.75
5481	2900	1858	1.84	1921	2.06	1981	2.29	2043	2.52	2102	2.76	2159	3.00	2267	3.47	2372	3.95	2476	4.46	2580	5.00
5670	3000	1918	2.03	1979	2.26	2037	2.48	2097	2.72	2155	2.97	2211	3.21	2316	3.70	2418	4.20	2519	4.72	2620	5.26
6048	3200	2042	2.44	2096	2.67	2149	2.91	2206	3.16	2262	3.42	2315	3.69	2417	4.20	2514	4.73	2609	5.26	2704	5.82
6426	3400	2162	2.90	2214	3.14	2264	3.39	2316	3.65	2369	3.93	2421	4.21	2519	4.76	2613	5.31	2703	5.87	2793	6.45
VOL CFM	VEL FPM	4 SP		4.5 SP		5 SP		5.5 SP		6 SP		6.5 SP		7 SP		7.5 SP		8 SP		8.5 SP	
		RPM	BHP	RPM	BHP	RPM	BHP	RPM	BHP	RPM	BHP	RPM	BHP	RPM	BHP	RPM	BHP	RPM	BHP	RPM	BHP
4347	2300	2501	4.22	2622	4.76	2741	5.32	-	-	-	-	-	-	-	-	-	-	-	-	-	-
4536	2400	2526	4.41	2644	4.96	2759	5.52	2873	6.11	-	-	-	-	-	-	-	-	-	-	-	-
4725	2500	2553	4.62	2668	5.17	2780	5.74	2891	6.33	2999	6.95	-	-	-	-	-	-	-	-	-	-
4914	2600	2583	4.83	2694	5.39	2803	5.97	2911	6.57	3017	7.19	3121	7.83	-	-	-	-	-	-	-	-
5103	2700	2614	5.06	2722	5.62	2829	6.21	2934	6.82	3037	7.44	3139	8.09	3239	8.75	3338	9.44	-	-	-	-
5292	2800	2647	5.30	2752	5.87	2856	6.46	2958	7.08	3059	7.71	3159	8.36	3257	9.03	3354	9.72	3449	10.43	-	-
5481	2900	2683	5.55	2785	6.13	2885	6.73	2985	7.35	3084	7.99	3181	8.65	3277	9.33	3372	10.02	3465	10.74	3558	11.47
5670	3000	2719	5.82	2818	6.41	2917	7.01	3014	7.64	3110	8.29	3205	8.95	3299	9.64	3392	10.34	3483	11.06	3574	11.80
6048	3200	2798	6.40	2891	7.00	2984	7.62	3076	8.27	3168	8.93	3259	9.61	3348	10.30	3437	11.02	3525	11.75	3612	12.50
6426	3400	2881	7.04	2970	7.66	3058	8.30	3145	8.95	3232	9.63	3319	10.32	3405	11.03	3490	11.76	3574	12.51	3658	13.27
6804	3600	2970	7.75	3054	8.38	3137	9.03	3220	9.70	3303	10.39	3385	11.10	3467	11.83	3549	12.57	3629	13.33	3710	14.10
7182	3800	3062	8.52	3141	9.17	3221	9.84	3300	10.52	3379	11.23	3458	11.95	3536	12.69	3614	13.45	3691	14.22	3768	15.01
7560	4000	3157	9.36	3233	10.03	3309	10.71	3384	11.42	3460	12.14	3535	12.88	3609	13.63	3684	14.40	3758	15.19	3832	15.99
7938	4200	3255	10.26	3328	10.96	3400	11.66	3473	12.38	3545	13.12	3616	13.88	3688	14.65	3759	15.43	3830	16.23	3901	17.05
8316	4400	3354	11.24	3425	11.96	3495	12.69	3564	13.43	3633	14.18	3702	14.95	3770	15.74	3838	16.54	3907	17.36	3974	18.19
8694	4600	3456	12.29	3524	13.04	3592	13.79	3658	14.55	3725	15.33	3790	16.12	3856	16.92	3922	17.74	3987	18.57	4052	19.42
9072	4800	3559	13.41	3625	14.19	3690	14.97	3755	15.75	3819	16.55	3882	17.36	3945	18.18	4009	19.02	4071	19.87	4134	20.73
9450	5000	3663	14.61	3728	15.42	3791	16.23	3854	17.04	3915	17.86	3977	18.69	4038	19.53	4098	20.39	4159	21.25	4219	22.13
9828	5200	3767	15.88	3831	16.73	3893	17.57	3954	18.41	4014	19.25	4073	20.11	4132	20.97	4191	21.85	4249	22.73	4307	23.63
10206	5400	3873	17.23	3935	18.11	3996	18.99	4055	19.86	4114	20.74	4172	21.62	4229	22.50	4286	23.40	4342	24.30	4398	25.22
10584	5600	3979	18.67	4040	19.58	4100	20.49	4158	21.40	4215	22.30	4272	23.21	4327	24.12	4382	25.04	4437	25.97	4492	26.91
VOL CFM	VEL FPM	9 SP		9.5 SP		10 SP		10.5 SP		11 SP		11.5 SP		12 SP		12.5 SP		13 SP		13.5 SP	
		RPM	BHP	RPM	BHP	RPM	BHP	RPM	BHP	RPM	BHP	RPM	BHP	RPM	BHP	RPM	BHP	RPM	BHP	RPM	BHP
6804	3600	3789	14.89	3868	15.70	3946	16.52	4024	17.36	4101	18.21	4177	19.08	4253	19.96	4327	20.85	4402	21.76	-	-
7182	3800	3844	15.82	3920	16.64	3995	17.47	4070	18.32	4145	19.18	4218	20.06	4291	20.96	4364	21.86	4436	22.78	4507	23.71
7560	4000	3905	16.81	3978	17.64	4051	18.49	4123	19.36	4194	20.23	4265	21.13	4336	22.03	4406	22.95	4476	23.88	4545	24.83
7938	4200	3971	17.88	4041	18.73	4111	19.60	4181	20.47	4250	21.36	4318	22.27	4387	23.19	4455	24.12	4522	25.06	4589	26.02
8316	4400	4042	19.04	4110	19.90	4177	20.78	4244	21.67	4310	22.58	4377	23.49	4442	24.43	4508	25.37	4573	26.33	4638	27.30
8694	4600	4117	20.28	4182	21.16	4247	22.05	4311	22.95	4376	23.87	4440	24.81	4503	25.75	4567	26.71	4630	27.68	4693	28.67
9072	4800	4197	21.61	4259	22.50	4321	23.41	4383	24.33	4445	25.26	4507	26.21	4569	27.17	4630	28.14	4691	29.13	4752	30.13
9450	5000	4280	23.03	4340	23.94	4400	24.86	4460	25.79	4519	26.74	4579	27.70	4638	28.68	4697	29.67	4757	30.67	4815	31.68
9828	5200	4366	24.54	4424	25.47	4481	26.40	4539	27.35	4597	28.32	4654	29.29	4712	30.28	4769	31.29	4826	32.30	4883	33.33
10206	5400	4454	26.15	4510	27.09	4566	28.05	4622	29.01	4678	29.99	4733	30.98	4789	31.99	4844	33.01	4900	34.04	4955	35.08
10584	5600	4546	27.86	4600	28.82	4654	29.79	4708	30.77	4762											



ARRANGEMENT 3



ARRANGEMENT 3-DWDI-CLASS I & II

MODEL NO.	WHL. DIA.	SHAFT EXT. DIA.	KEYWAY	SHAFT EXT. DIA.	KEYWAY	TH, DB, BH, UB STRAIGHT DISCH.				BAU, TAU, TAD, BAD ANGULAR DISCH.				CLASS I	CLASS II	N	P	Q	R	X				
						A	C	D	F	H	J	K	L								H	J	K	L
BH135	13-1/2	1-3/16	1/4 X 1/8 X 3-1/2	1-7/16	3/8 X 3/16 X 3-1/2	17-5/8	14-5/8	19	16	11-1/8	9-3/8	12-5/8	11-3/8	18-1/4	11-7/8	13-3/4	10	16-3/4	16-3/4	11	14-1/2	20-1/2	22	17

Note: Letters "C" and "D" are outside housing dimensions.

PEERLESS ELECTRIC "POWER FIXED 2000" PERFORMANCE TABLE

BI150-2

DOUBLE-WIDTH

TIP SPEED (FPM) = 3.927 x RPM

OUTLET (2.304 Sq. Ft. Inside)
16-1/4" x 20-7/8" Outside

MAX. HP = .5211 (RPM/1000)³

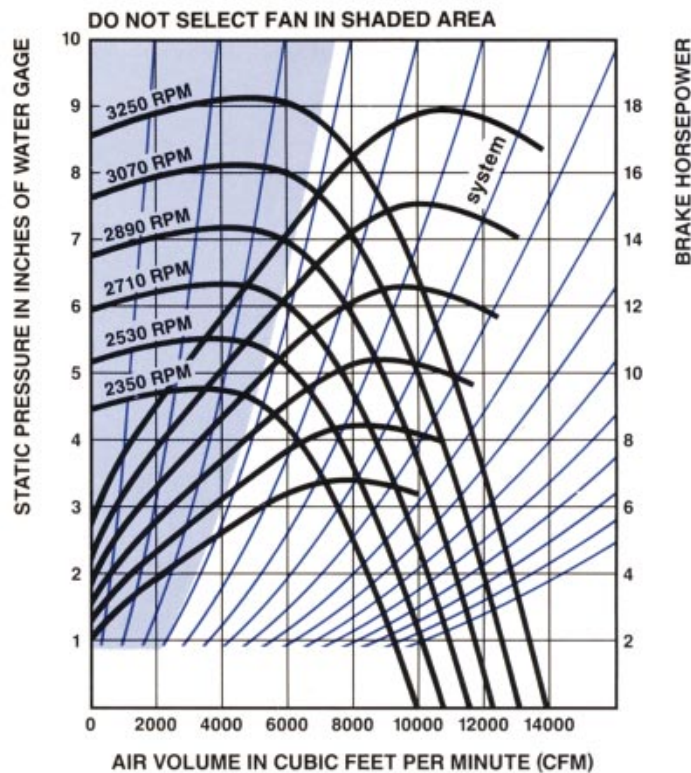
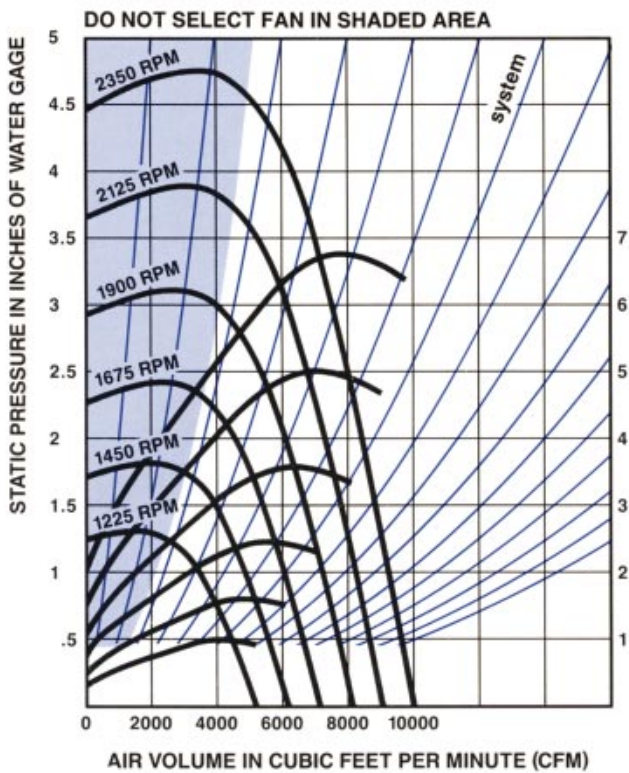
WHEEL DIAMETER = 15"

INLET (2.748 Sq. Ft. Inside)
16-1/8" Dia. Outside

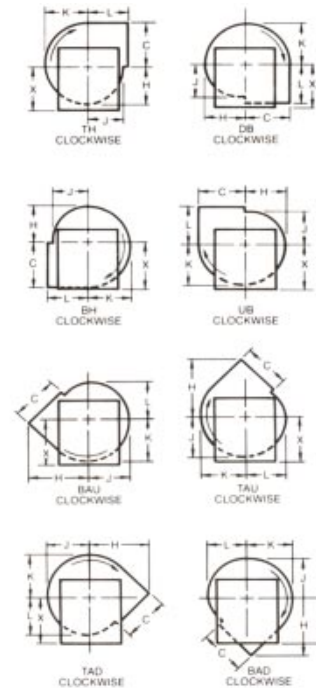
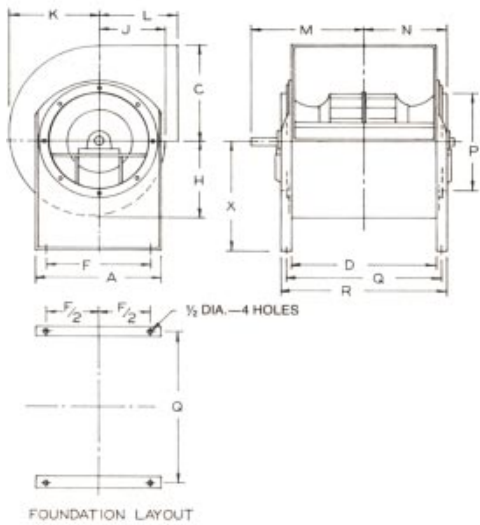
CL. I 2478
CL. II 3231
CL. III 4072

VOL CFM	VEL FPM	.25 SP		.5 SP		.75 SP		1 SP		1.25 SP		1.5 SP		2 SP		2.5 SP		3 SP		3.5 SP	
		RPM	BHP	RPM	BHP	RPM	BHP	RPM	BHP	RPM	BHP	RPM	BHP	RPM	BHP	RPM	BHP	RPM	BHP	RPM	BHP
2304	1000	699	0.18	838	0.29	971	0.43	-	-	-	-	-	-	-	-	-	-	-	-	-	-
2534	1100	742	0.21	870	0.33	993	0.47	1111	0.63	-	-	-	-	-	-	-	-	-	-	-	-
2765	1200	786	0.25	905	0.38	1020	0.53	1131	0.69	1238	0.86	-	-	-	-	-	-	-	-	-	-
2995	1300	831	0.29	943	0.43	1050	0.58	1154	0.75	1255	0.93	1353	1.12	-	-	-	-	-	-	-	-
3226	1400	877	0.34	983	0.49	1093	0.65	1181	0.82	1277	1.00	1371	1.20	-	-	-	-	-	-	-	-
3456	1500	924	0.40	1025	0.56	1120	0.72	1212	0.90	1303	1.09	1391	1.29	1563	1.72	-	-	-	-	-	-
3686	1600	972	0.46	1069	0.63	1158	0.80	1245	0.99	1331	1.18	1416	1.39	1579	1.83	-	-	-	-	-	-
3917	1700	1020	0.53	1113	0.71	1198	0.89	1281	1.08	1362	1.28	1443	1.49	1600	1.94	1751	2.43	-	-	-	-
4147	1800	1069	0.61	1158	0.80	1240	0.99	1319	1.18	1396	1.39	1473	1.61	1623	2.07	1768	2.57	1908	3.10	-	-
4378	1900	1119	0.70	1204	0.89	1283	1.09	1358	1.30	1432	1.51	1505	1.73	1648	2.21	1788	2.71	1924	3.26	2055	3.83
4608	2000	1169	0.80	1250	1.00	1326	1.21	1399	1.42	1469	1.64	1539	1.87	1677	2.35	1811	2.87	1942	3.42	2070	4.01
4838	2100	1220	0.90	1297	1.11	1371	1.33	1441	1.55	1509	1.78	1575	2.01	1707	2.51	1837	3.04	1963	3.60	2086	4.19
5069	2200	1271	1.02	1344	1.23	1416	1.46	1484	1.69	1549	1.93	1613	2.17	1740	2.68	1864	3.22	1986	3.79	2106	4.39
5299	2300	1322	1.14	1392	1.36	1462	1.60	1528	1.84	1591	2.08	1652	2.33	1774	2.86	1894	3.41	2012	4.00	2127	4.61
5530	2400	1373	1.28	1440	1.50	1508	1.75	1572	2.00	1633	2.26	1693	2.51	1810	3.05	1925	3.61	2039	4.21	2151	4.83
5760	2500	1424	1.42	1489	1.66	1554	1.91	1617	2.17	1676	2.44	1734	2.70	1847	3.25	1959	3.83	2069	4.44	2177	5.07
5990	2600	1475	1.58	1539	1.83	1601	2.09	1662	2.36	1720	2.63	1777	2.90	1886	3.47	1993	4.06	2100	4.68	2205	5.33
6221	2700	1526	1.75	1589	2.00	1649	2.27	1708	2.55	1765	2.83	1820	3.12	1926	3.70	2030	4.30	2133	4.93	2234	5.59
6451	2800	1578	1.93	1639	2.20	1697	2.47	1754	2.76	1810	3.05	1863	3.34	1966	3.94	2067	4.56	2167	5.20	2265	5.87
6682	2900	1631	2.13	1690	2.40	1745	2.68	1801	2.98	1855	3.28	1908	3.58	2008	4.20	2106	4.83	2202	5.48	2298	6.17
6912	3000	1684	2.34	1741	2.62	1794	2.90	1848	3.21	1901	3.52	1952	3.83	2050	4.46	2146	5.11	2239	5.78	2332	6.48
7373	3200	1792	2.82	1843	3.10	1893	3.39	1943	3.71	1994	4.04	2043	4.38	2137	5.05	2227	5.73	2316	6.42	2404	7.14
7834	3400	1898	3.35	1945	3.63	1993	3.95	2040	4.27	2088	4.62	2135	4.97	2226	5.68	2312	6.40	2396	7.13	2479	7.87
VOL CFM	VEL FPM	4 SP		4.5 SP		5 SP		5.5 SP		6 SP		6.5 SP		7 SP		7.5 SP		8 SP		8.5 SP	
		RPM	BHP	RPM	BHP	RPM	BHP	RPM	BHP	RPM	BHP	RPM	BHP	RPM	BHP	RPM	BHP	RPM	BHP	RPM	BHP
5299	2300	2241	5.25	2352	5.92	2460	6.61	-	-	-	-	-	-	-	-	-	-	-	-	-	-
5530	2400	2261	5.48	2369	6.16	2475	6.86	2579	7.59	-	-	-	-	-	-	-	-	-	-	-	-
5760	2500	2284	5.73	2389	6.42	2492	7.13	2593	7.87	2693	8.63	-	-	-	-	-	-	-	-	-	-
5990	2600	2308	6.00	2410	6.70	2511	7.42	2610	8.16	2707	8.93	2802	9.73	-	-	-	-	-	-	-	-
6221	2700	2335	6.28	2434	6.98	2532	7.72	2628	8.47	2723	9.25	2816	10.05	2908	10.88	-	-	-	-	-	-
6451	2800	2363	6.57	2459	7.29	2555	8.03	2649	8.80	2741	9.58	2832	10.39	2922	11.23	3011	12.08	-	-	-	-
6682	2900	2393	6.87	2486	7.60	2579	8.36	2671	9.14	2761	9.93	2850	10.75	2938	11.60	3025	12.46	3111	13.34	-	-
6912	3000	2424	7.20	2515	7.94	2605	8.70	2695	9.49	2783	10.30	2870	11.13	2956	11.98	3041	12.85	3125	13.75	3208	14.66
7373	3200	2490	7.89	2577	8.65	2662	9.44	2747	10.25	2831	11.08	2914	11.93	2997	12.80	3078	13.69	3159	14.60	3239	15.54
7834	3400	2562	8.64	2644	9.43	2725	10.25	2805	11.08	2886	11.93	2965	12.81	3044	13.70	3122	14.61	3199	15.54	3276	16.49
8294	3600	2637	9.47	2715	10.29	2792	11.12	2869	11.98	2945	12.86	3021	13.75	3096	14.67	3171	15.60	3245	16.55	3319	17.52
8755	3800	2716	10.37	2790	11.21	2864	12.07	2937	12.95	3010	13.86	3082	14.78	3154	15.71	3226	16.67	3297	17.65	3368	18.64
9216	4000	2798	11.34	2869	12.21	2939	13.10	3009	14.01	3078	14.93	3148	15.88	3217	16.84	3285	17.82	3353	18.82	3421	19.83
9677	4200	2882	12.39	2950	13.29	3017	14.21	3084	15.14	3151	16.09	3217	17.06	3283	18.05	3349	19.05	3414	20.07	3479	21.11
10138	4400	2968	13.52	3033	14.46	3098	15.40	3162	16.36	3226	17.34	3290	18.33	3353	19.34	3416	20.37	3479	21.42	3542	22.48
10598	4600	3055	14.73	3119	15.70	3181	16.68	3243	17.67	3305	18.67	3366	19.69	3427	20.73	3488	21.78	3548	22.85	3608	23.94
11059	4800	3144	16.02	3206	17.03	3266	18.04	3326	19.07	3386	20.10	3445	21.15	3503	22.21	3562	23.29	3620	24.38	3678	25.49
11520	5000	3234	17.40	3294	18.44	3353	19.50	3411	20.55	3468	21.62	3525	22.70	3582	23.79	3638	24.89	3695	26.01	3751	27.15
11981	5200	3325	18.86	3383	19.95	3441	21.04	3497	22.13	3553	23.23	3608	24.34	3663	25.46	3718	26.59	3772	27.74	3826	28.90
12442	5400	3416	20.41	3474	21.54	3530	22.67	3585	23.80	3639	24.94	3693	26.08	3746	27.24	3799	28.40	3851	29.57	3904	30.76
12902	5600	3509	22.06	3565	23.23	3620	24.40	3674	25.57	3727	26.75	3779	27.93	3831	29.11	3882	30.31	3933	31.51	3984	32.73
VOL CFM	VEL FPM	9 SP		9.5 SP		10 SP		10.5 SP		11 SP		11.5 SP		12 SP		12.5 SP		13 SP		13.5 SP	
		RPM	BHP	RPM	BHP	RPM	BHP	RPM	BHP	RPM	BHP	RPM	BHP	RPM	BHP	RPM	BHP	RPM	BHP	RPM	BHP
8294	3600	3392	18.51	3464	19.51	3536	20.54	3607	21.58	3678	22.63	3747	23.71	3817	24.80	3885	25.91	-	-	-	-
8755	3800	3438	19.64	3507	20.67	3577	21.71	3645	22.77	3713	23.84	3781	24.94	3848	26.05	3914	27.17	3980	28.31	4046	29.47
9216	4000	3489	20.86	3556	21.91	3622	22.97	3689	24.05	3754	25.15	3820	26.26	3884	27.38	3949	28.53	4013	29.68	4076	30.86
9677	4200	3544	22.16	3609	23.23	3673	24.32	3737	25.42	3800	26.54	3863	27.67	3926	28.81	3988	29.98	4050	31.15	4112	32.34
10138	4400	3604	23.56	3666	24.65	3728	25.76	3790	26.88	3851	28.02	3912	29.17	3972	30.34	4033	31.52	4093	32.72	4152	33.93
10598	4600	3668	25.04	3728	26.15	3788	27.29	3847	28.43	3906	29.59	3965	30.77	4023	31.96	4082	33.17	4140	34.38	4197	35.62
11059	4800	3736	26.62	3793	27.76	3851	28.91	3908	30.08	3965	31.27	4022	32.47	4078	33.68	4135	34.91	4191	36.15	4247	37.40
11520	5000	3806	28.29	3862	29.46	3917	30.64	3972	31.83	4028	33.04	4082	34.26	4137	35.50	4192	36.75	4246	38.02	4300	39.29
11981	5200	3880	30.08	3933	31.27	3987	32.47	4040	33.69	4094	34.92	4147	36.17	4199	37.43	4252	38.70	4305	39.99	4357	41.29
12442	5400	3956	31.96	4008	33.18	4059	34.41	4111	35.65	4162	36.91	4214	38.18	4265	39.46	4316	40.76	4367	42.07	4418	43.39
12902	5600	4034	33.96	4084	35.20	4134	36.45	4184	37.72	4234	39.00	4284	40.30	4334	41.61	4383	42.93	4432	44.26	4482	45.61

Performance certified is for installation type B - free



ARRANGEMENT 3



ARRANGEMENT 3-DWDI-CLASS I & II

MODEL NO.	WHL. DIA.	SHAFT EXT. DIA.	KEYWAY		A	C	D	F	TH, DB, BH, UB STRAIGHT DISCH.				BAU, TAU, TAD, BAD ANGULAR DISCH.				CLASS I		CLASS II					
			CLASS I	CLASS II					H	J	K	L	H	J	K	L	M	M	N	P	Q	R	X	
BH150	15	1-7/16	3/8 X 3/16 X 3-1/2	1-11/16	3/8 X 3/16 X 4	19-1/4	16-1/4	20-7/8	17-5/8	12-3/8	10-3/8	14-1/8	12-3/8	20-1/8	13-1/4	15-1/4	11-1/8	17-3/4	18-1/2	12	16-1/8	22-3/8	23-7/8	17-7/8

Note: Letters "C" and "D" are outside housing dimensions.

PEERLESS ELECTRIC "POWER FIXED 2000" PERFORMANCE TABLE

BI165-2

DOUBLE-WIDTH

TIP SPEED (FPM) = 4.320 x RPM

OUTLET (2.808 Sq. Ft. Inside)
17-3/4" x 23-1/8" Outside

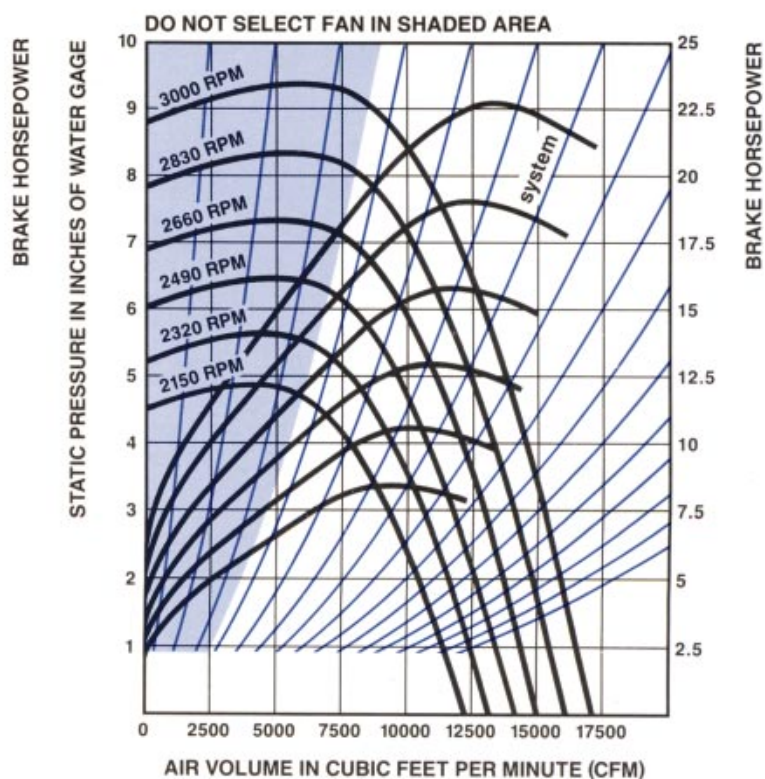
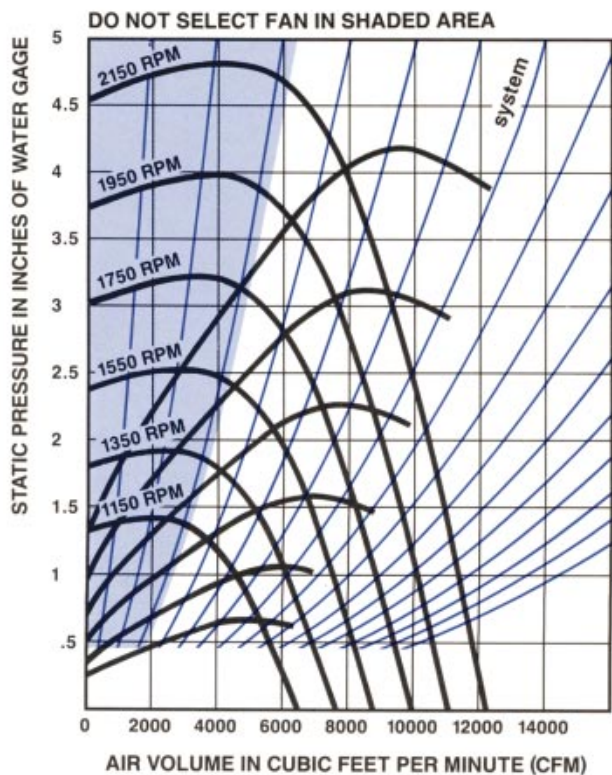
MAX. HP = .8428 (RPM/1000)³

WHEEL DIAMETER = 16-1/2"

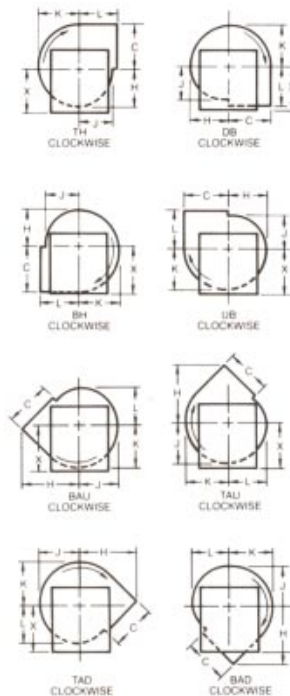
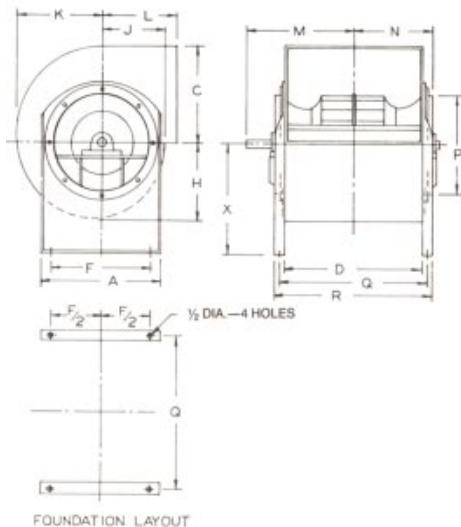
INLET (3.340 Sq. Ft. Inside)
17-3/4" Dia. Outside

MAX.RPM
CL. I 2252
CL. II 2937
CL. III 3702

VOL CFM	VEL FPM	.25 SP		.5 SP		.75 SP		1 SP		1.25 SP		1.5 SP		2 SP		2.5 SP		3 SP		3.5 SP	
		RPM	BHP	RPM	BHP	RPM	BHP	RPM	BHP	RPM	BHP	RPM	BHP	RPM	BHP	RPM	BHP	RPM	BHP	RPM	BHP
2808	1000	636	0.21	762	0.36	883	0.52	-	-	-	-	-	-	-	-	-	-	-	-	-	-
3089	1100	674	0.26	791	0.40	903	0.57	1010	0.76	-	-	-	-	-	-	-	-	-	-	-	-
3370	1200	715	0.30	823	0.46	927	0.64	1028	0.83	1125	1.04	-	-	-	-	-	-	-	-	-	-
3650	1300	756	0.36	857	0.52	954	0.71	1049	0.91	1141	1.12	1230	1.35	-	-	-	-	-	-	-	-
3931	1400	797	0.42	894	0.60	985	0.79	1074	0.99	1161	1.21	1246	1.45	-	-	-	-	-	-	-	-
4212	1500	840	0.48	932	0.68	1018	0.87	1102	1.09	1184	1.32	1265	1.56	1421	2.08	-	-	-	-	-	-
4493	1600	883	0.56	971	0.76	1053	0.97	1132	1.19	1210	1.43	1287	1.68	1436	2.21	1578	2.79	-	-	-	-
4774	1700	927	0.65	1012	0.86	1089	1.08	1164	1.31	1239	1.55	1312	1.81	1454	2.35	1591	2.94	-	-	-	-
5054	1800	972	0.74	1053	0.97	1127	1.19	1199	1.43	1269	1.68	1339	1.94	1475	2.50	1607	3.11	1735	3.75	-	-
5335	1900	1017	0.85	1094	1.08	1166	1.32	1235	1.57	1302	1.83	1368	2.10	1499	2.67	1626	3.28	1749	3.94	1868	4.63
5616	2000	1063	0.96	1136	1.21	1206	1.46	1272	1.72	1336	1.98	1399	2.26	1524	2.85	1647	3.47	1766	4.14	1881	4.85
5897	2100	1109	1.09	1179	1.34	1246	1.61	1310	1.87	1371	2.15	1432	2.43	1552	3.04	1670	3.68	1785	4.36	1897	5.07
6178	2200	1155	1.23	1222	1.49	1287	1.77	1349	2.05	1408	2.33	1467	2.62	1582	3.24	1695	3.90	1806	4.59	1914	5.32
6458	2300	1202	1.38	1265	1.65	1329	1.94	1389	2.23	1446	2.52	1502	2.82	1613	3.46	1722	4.13	1829	4.83	1934	5.58
6739	2400	1248	1.55	1309	1.82	1371	2.12	1429	2.42	1485	2.73	1539	3.04	1645	3.69	1750	4.37	1854	5.09	1956	5.85
7020	2500	1294	1.72	1354	2.01	1413	2.31	1470	2.63	1524	2.95	1577	3.27	1679	3.93	1781	4.63	1881	5.37	1979	6.14
7301	2600	1341	1.91	1399	2.21	1456	2.52	1511	2.85	1564	3.18	1615	3.51	1714	4.20	1812	4.91	1909	5.66	2004	6.44
7582	2700	1387	2.12	1444	2.43	1499	2.75	1553	3.09	1604	3.43	1654	3.77	1751	4.47	1845	5.20	1939	5.97	2031	6.77
7862	2800	1435	2.34	1490	2.66	1542	2.99	1595	3.34	1645	3.69	1694	4.05	1788	4.77	1879	5.51	1970	6.29	2059	7.10
8143	2900	1483	2.58	1536	2.91	1586	3.24	1637	3.60	1687	3.97	1734	4.33	1826	5.08	1914	5.84	2002	6.64	2089	7.46
8424	3000	1531	2.84	1582	3.17	1631	3.51	1680	3.88	1728	4.26	1775	4.64	1864	5.40	1950	6.18	2036	7.00	2120	7.84
8986	3200	1629	3.41	1675	3.75	1721	4.11	1766	4.49	1813	4.89	1857	5.29	1943	6.11	2025	6.93	2105	7.77	2185	8.64
9547	3400	1725	4.05	1768	4.40	1812	4.78	1854	5.17	1898	5.59	1941	6.02	2023	6.88	2102	7.74	2179	8.62	2254	9.53
VOL CFM	VEL FPM	4 SP		4.5 SP		5 SP		5.5 SP		6 SP		6.5 SP		7 SP		7.5 SP		8 SP		8.5 SP	
6458	2300	2037	6.35	2138	7.16	2237	8.00	-	-	-	-	-	-	-	-	-	-	-	-	-	-
6739	2400	2056	6.64	2154	7.46	2250	8.31	2344	9.19	-	-	-	-	-	-	-	-	-	-	-	-
7020	2500	2076	6.94	2172	7.77	2265	8.63	2357	9.52	2448	10.45	-	-	-	-	-	-	-	-	-	-
7301	2600	2099	7.26	2191	8.10	2283	8.97	2372	9.88	2461	10.81	2547	11.77	-	-	-	-	-	-	-	-
7582	2700	2123	7.59	2213	8.45	2302	9.34	2389	10.25	2475	11.19	2560	12.16	2644	13.16	-	-	-	-	-	-
7862	2800	2148	7.95	2236	8.82	2322	9.72	2408	10.64	2492	11.60	2575	12.58	2657	13.59	2737	14.62	-	-	-	-
8143	2900	2175	8.32	2260	9.20	2345	10.11	2428	11.05	2510	12.02	2591	13.01	2671	14.03	2750	15.08	2828	16.15	-	-
8424	3000	2204	8.71	2286	9.61	2368	10.53	2450	11.48	2530	12.46	2609	13.47	2687	14.50	2765	15.55	2841	16.63	2916	17.74
8986	3200	2264	9.54	2342	10.47	2420	11.42	2497	12.40	2574	13.41	2649	14.44	2724	15.49	2799	16.57	2872	17.67	2944	18.80
9547	3400	2329	10.46	2403	11.42	2477	12.40	2550	13.41	2623	14.44	2695	15.50	2767	16.58	2838	17.68	2908	18.80	2978	19.95
10109	3600	2397	11.46	2468	12.45	2538	13.46	2608	14.50	2677	15.56	2746	16.64	2815	17.75	2883	18.88	2950	20.03	3017	21.20
10670	3800	2469	12.55	2536	13.57	2603	14.61	2670	15.68	2736	16.77	2802	17.88	2867	19.01	2932	20.17	2997	21.35	3061	22.55
11232	4000	2543	13.73	2608	14.78	2672	15.85	2735	16.95	2799	18.07	2861	19.21	2924	20.38	2986	21.56	3049	22.77	3110	24.00
11794	4200	2620	15.00	2682	16.09	2743	17.19	2804	18.32	2864	19.47	2925	20.65	2985	21.84	3044	23.05	3104	24.29	3163	25.54
12355	4400	2698	16.36	2757	17.49	2816	18.64	2875	19.80	2933	20.98	2991	22.18	3049	23.41	3106	24.65	3163	25.91	3220	27.20
12917	4600	2777	17.83	2835	19.00	2892	20.18	2948	21.38	3004	22.60	3060	23.83	3115	25.08	3170	26.36	3225	27.65	3280	28.96
13478	4800	2858	19.39	2914	20.61	2969	21.83	3024	23.07	3078	24.32	3131	25.59	3185	26.87	3238	28.18	3291	29.50	3343	30.84
14040	5000	2940	21.05	2994	22.32	3048	23.59	3101	24.87	3153	26.16	3205	27.46	3256	28.78	3308	30.12	3359	31.47	3410	32.85
14602	5200	3022	22.82	3076	24.14	3128	25.46	3179	26.78	3230	28.11	3280	29.45	3330	30.81	3380	32.18	3429	33.57	3478	34.97
15163	5400	3106	24.70	3158	26.07	3209	27.43	3259	28.80	3308	30.18	3357	31.56	3406	32.96	3454	34.36	3501	35.78	3549	37.22
15725	5600	3190	26.69	3241	28.11	3291	29.53	3340	30.94	3388	32.37	3435	33.79	3482	35.23	3529	36.67	3575	38.13	3621	39.60
VOL CFM	VEL FPM	9 SP		9.5 SP		10 SP		10.5 SP		11 SP		11.5 SP		12 SP		12.5 SP		13 SP		13.5 SP	
10109	3600	3084	22.40	3149	23.61	3215	24.85	3279	26.11	3343	27.39	3407	28.69	3470	30.01	3532	31.35	-	-	-	-
10670	3800	3125	23.77	3189	25.01	3251	26.27	3314	27.55	3376	28.85	3437	30.17	3498	31.51	3558	32.88	3618	34.26	3678	35.66
11232	4000	3172	25.24	3232	26.51	3293	27.80	3353	29.10	3413	30.43	3472	31.77	3531	33.13	3590	34.52	3648	35.92	3706	37.34
11794	4200	3222	26.82	3281	28.11	3339	29.43	3397	30.76	3455	32.11	3512	33.48	3569	34.87	3626	36.27	3682	37.69	3738	39.14
12355	4400	3277	28.50	3333	29.82	3389	31.17	3445	32.52	3501	33.90	3556	35.30	3611	36.71	3666	38.14	3721	39.59	3775	41.06
12917	4600	3335	30.30	3389	31.65	3443	33.02	3497	34.40	3551	35.81	3604	37.23	3658	38.67	3711	40.13	3763	41.60	3816	43.10
13478	4800	3396	32.21	3448	33.59	3501	34.98	3553	36.40	3604	37.83	3656	39.29	3708	40.75	3759	42.24	3810	43.40	3861	45.26
14040	5000	3460	34.24	3511	35.65	3561	37.07	3611	38.52	3661	39.98	3711	41.46	3761	42.96	3811	44.47	3860	46.00	3909	47.54
14602	5200	3527	36.39	3576	37.83	3624	39.29	3673	40.76	3721	42.25	3770	43.76	3818	45.29	3866	46.83	3913	48.39	3961	49.96
15163	5400	3596																			



ARRANGEMENT 3



ARRANGEMENT 3-DWDI-CLASS I & II

MODEL NO.	WHL. DIA.	SHAFT EXT. DIA.	KEYWAY	SHAFT EXT. DIA.	KEYWAY	STRAIGHT DISCH.								ANGULAR DISCH.				CLASS I	CLASS II	N	P	Q	R	X
						A	C	D	F	H	J	K	L	H	J	K	L							
BI165	16-1/2	1-7/16	3/8 X 3/16 X 3-1/2	1-15/16	1/2 X 1/4 X 6	21-3/8	17-3/4	23-1/8	19-3/4	13-5/8	11-3/8	15-1/2	13-3/8	21-7/8	14-5/8	16-3/4	12-1/4	18-1/2	21-3/4	13-5/8	17-7/8	24-5/8	27-1/8	19-1/2

Note: Letters "C" and "D" are outside housing dimensions.

PEERLESS ELECTRIC "POWER FIXED 2000" PERFORMANCE TABLE B1182-2

DOUBLE-WIDTH

TIP SPEED (FPM) = 4.778 x RPM

OUTLET (3.420 Sq. Ft. Inside)
19-5/8" x 25-1/2" Outside

MAX. HP = 1.2731 (RPM/1000)³

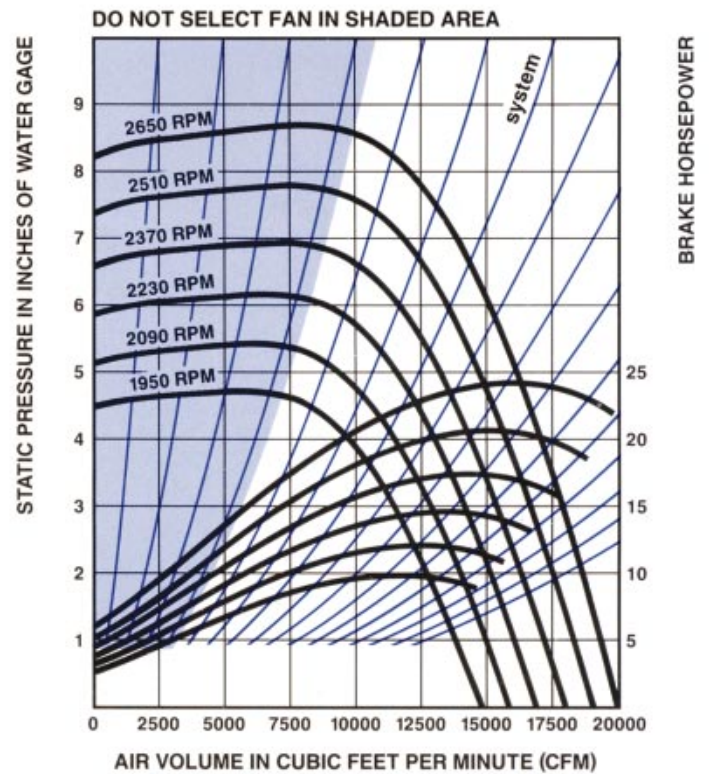
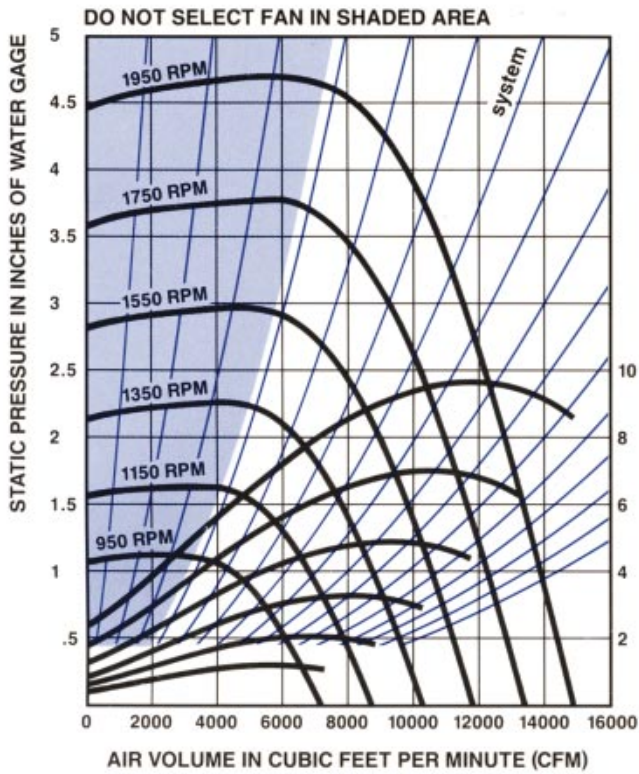
WHEEL DIAMETER = 18 1/4"

INLET (4.04 Sq. Ft. Inside)
19 5/8" Dia. Outside

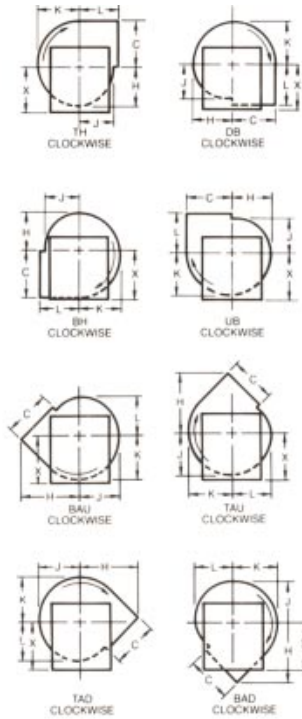
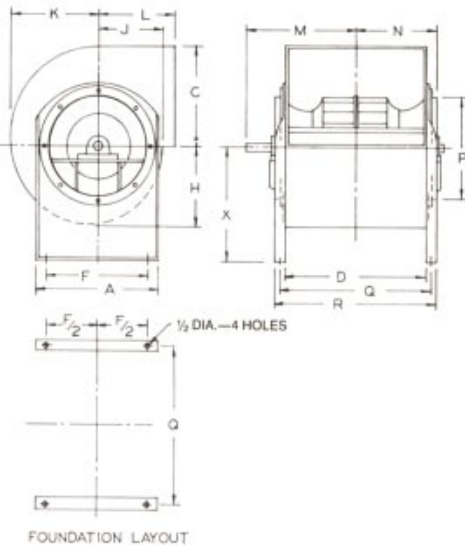
MAX.RPM
CL. I 2054
CL. II 2679
CL. III 3375

VOL CFM	VEL FPM	.25 SP		.5 SP		.75 SP		1 SP		1.25 SP		1.5 SP		2 SP		2.5 SP		3 SP		3.5 SP	
		RPM	BHP	RPM	BHP	RPM	BHP	RPM	BHP	RPM	BHP	RPM	BHP	RPM	BHP	RPM	BHP	RPM	BHP	RPM	BHP
3420	1000	576	0.25	690	0.41	804	0.61	-	-	-	-	-	-	-	-	-	-	-	-	-	-
3762	1100	613	0.30	715	0.47	820	0.67	921	0.89	-	-	-	-	-	-	-	-	-	-	-	-
4104	1200	651	0.35	744	0.53	840	0.74	935	0.97	1026	1.22	-	-	-	-	-	-	-	-	-	-
4446	1300	690	0.42	776	0.60	864	0.81	952	1.05	1039	1.31	1122	1.59	-	-	-	-	-	-	-	-
4788	1400	730	0.50	810	0.69	891	0.90	973	1.15	1055	1.41	1135	1.70	-	-	-	-	-	-	-	-
5130	1500	770	0.58	846	0.78	920	1.00	997	1.25	1074	1.52	1150	1.81	1296	2.44	-	-	-	-	-	-
5472	1600	810	0.67	883	0.89	952	1.11	1024	1.37	1096	1.65	1168	1.94	1308	2.59	1442	3.29	-	-	-	-
5814	1700	850	0.77	922	1.01	986	1.24	1053	1.50	1121	1.78	1189	2.08	1322	2.74	1451	3.46	-	-	-	-
6156	1800	891	0.87	961	1.14	1022	1.38	1084	1.64	1148	1.93	1212	2.24	1340	2.91	1464	3.64	1584	4.42	-	-
6498	1900	931	0.99	1001	1.28	1059	1.53	1117	1.80	1177	2.09	1238	2.41	1359	3.09	1478	3.83	1594	4.62	1706	5.46
6840	2000	972	1.12	1041	1.43	1097	1.70	1152	1.98	1208	2.27	1265	2.59	1381	3.28	1495	4.04	1607	4.85	1716	5.70
7182	2100	1014	1.27	1081	1.60	1136	1.88	1188	2.17	1241	2.47	1295	2.79	1405	3.49	1515	4.26	1622	5.08	1728	5.95
7524	2200	1056	1.42	1121	1.77	1175	2.08	1225	2.37	1275	2.68	1326	3.01	1431	3.72	1536	4.50	1640	5.33	1742	6.21
7866	2300	1099	1.60	1161	1.96	1215	2.29	1263	2.60	1311	2.91	1359	3.24	1459	3.96	1559	4.75	1659	5.60	1758	6.49
8208	2400	1143	1.79	1201	2.16	1255	2.51	1302	2.84	1347	3.16	1394	3.50	1488	4.23	1584	5.03	1680	5.88	1776	6.79
8550	2500	1186	2.00	1241	2.37	1295	2.75	1341	3.09	1385	3.43	1429	3.77	1519	4.51	1611	5.32	1703	6.19	1795	7.11
8892	2600	1230	2.22	1282	2.60	1335	3.01	1381	3.37	1423	3.71	1465	4.06	1551	4.81	1639	5.69	1728	6.51	1817	7.44
9234	2700	1274	2.46	1322	2.84	1375	3.27	1420	3.65	1462	4.02	1503	4.38	1585	5.14	1669	5.97	1754	6.85	1840	7.80
9576	2800	1318	2.72	1363	3.10	1415	3.55	1460	3.96	1501	4.34	1541	4.71	1619	5.49	1700	6.32	1782	7.22	1864	8.17
9918	2900	1361	2.99	1405	3.38	1455	3.85	1500	4.28	1541	4.68	1579	5.06	1655	5.86	1732	6.70	1811	7.61	1890	8.57
10260	3000	1405	3.27	1447	3.67	1495	4.16	1541	4.62	1581	5.04	1618	5.44	1691	6.25	1765	7.10	1841	8.02	1917	8.99
10944	3200	1491	3.89	1532	4.33	1576	4.83	1621	5.34	1661	5.81	1697	6.25	1766	7.10	1835	7.98	1905	8.92	1976	9.91
11628	3400	1578	4.59	1618	5.09	1658	5.58	1701	6.13	1741	6.66	1777	7.14	1843	8.05	1908	8.97	1973	9.92	2039	10.93
VOL CFM	VEL FPM	4 SP		4.5 SP		5 SP		5.5 SP		6 SP		6.5 SP		7 SP		7.5 SP		8 SP		8.5 SP	
		RPM	BHP	RPM	BHP	RPM	BHP	RPM	BHP	RPM	BHP	RPM	BHP	RPM	BHP	RPM	BHP	RPM	BHP	RPM	BHP
7866	2300	1855	7.43	1949	8.41	2042	9.42	-	-	-	-	-	-	-	-	-	-	-	-	-	-
8208	2400	1869	7.74	1962	8.73	2052	9.76	2141	10.82	-	-	-	-	-	-	-	-	-	-	-	-
8550	2500	1886	8.07	1976	9.08	2064	10.12	2151	11.20	2235	12.31	-	-	-	-	-	-	-	-	-	-
8892	2600	1905	8.42	1992	9.44	2078	10.49	2162	11.59	2245	12.71	2326	13.87	-	-	-	-	-	-	-	-
9234	2700	1925	8.78	2009	9.82	2093	10.89	2175	11.99	2256	13.13	2336	14.31	2414	15.50	-	-	-	-	-	-
9576	2800	1947	9.17	2028	10.22	2110	11.30	2190	12.42	2269	13.58	2347	14.76	2424	15.98	2500	17.22	-	-	-	-
9918	2900	1970	9.58	2049	10.64	2128	11.73	2206	12.87	2284	14.04	2360	15.24	2435	16.47	2509	17.73	2582	19.02	-	-
10260	3000	1994	10.01	2071	11.08	2148	12.19	2224	13.34	2299	14.52	2374	15.73	2448	16.98	2520	18.25	2592	19.56	2663	20.89
10944	3200	2048	10.95	2120	12.04	2192	13.17	2264	14.34	2336	15.55	2407	16.79	2477	18.07	2547	19.37	2616	20.70	2684	22.06
11628	3400	2106	11.99	2174	13.10	2242	14.25	2310	15.44	2377	16.68	2445	17.94	2512	19.24	2579	20.58	2645	21.94	2710	23.33
12312	3600	2168	13.14	2232	14.27	2296	15.44	2360	16.66	2424	17.91	2488	19.20	2552	20.52	2616	21.88	2679	23.27	2742	24.69
12996	3800	2235	14.41	2294	15.56	2354	16.75	2415	17.89	2475	19.26	2536	20.57	2597	21.92	2658	23.30	2718	24.71	2778	26.15
13680	4000	2304	15.81	2360	16.97	2416	18.18	2474	19.43	2531	20.73	2589	22.06	2646	23.43	2704	24.83	2762	26.26	2819	27.73
14364	4200	2376	17.33	2429	18.52	2482	19.74	2536	21.01	2590	22.33	2645	23.68	2700	25.06	2755	26.49	2810	27.95	2865	29.44
15048	4400	2450	18.98	2500	20.19	2551	21.44	2602	22.73	2653	24.06	2705	25.43	2757	26.84	2809	28.28	2862	29.76	2914	31.27
15732	4600	2526	20.77	2574	22.01	2622	23.29	2670	24.60	2719	25.95	2768	27.33	2817	28.76	2867	30.22	2917	31.72	2967	33.25
16416	4800	2604	22.69	2649	23.97	2695	25.27	2741	26.61	2787	27.98	2834	29.38	2881	30.83	2928	32.31	2976	33.82	3024	35.37
17100	5000	2682	24.74	2726	26.07	2770	27.41	2814	28.77	2858	30.16	2902	31.59	2947	33.06	2992	34.55	3038	36.09	3083	37.66
17784	5200	2761	26.92	2804	28.31	2846	29.69	2888	31.09	2931	32.51	2973	33.96	3016	35.45	3059	36.96	3102	38.52	3146	40.10
18468	5400	2841	29.24	2883	30.69	2924	32.12	2965	33.56	3005	35.02	3046	36.50	3087	38.00	3128	39.54	3169	41.12	3211	42.72
19152	5600	2921	31.68	2962	33.21	3002	34.70	3042	36.19	3081	37.69	3120	39.20	3159	40.73	3199	42.30	3238	43.89	3278	45.51
VOL CFM	VEL FPM	9 SP		9.5 SP		10 SP		10.5 SP		11 SP		11.5 SP		12 SP		12.5 SP		13 SP		13.5 SP	
		RPM	BHP	RPM	BHP	RPM	BHP	RPM	BHP	RPM	BHP	RPM	BHP	RPM	BHP	RPM	BHP	RPM	BHP	RPM	BHP
12312	3600	2804	26.13	2866	27.60	2927	29.10	2988	30.62	3048	32.17	3108	33.73	3167	35.32	3226	36.93	-	-	-	-
12996	3800	2838	27.62	2898	29.12	2957	30.65	3015	32.20	3074	33.77	3131	35.37	3189	36.99	3245	38.63	3302	40.30	3358	41.98
13680	4000	2877	29.23	2934	30.75	2991	32.30	3047	33.88	3103	35.48	3159	37.11	3215	38.76	3270	40.43	3324	42.13	3378	43.85
14364	4200	2920	30.96	2975	32.50	3029	34.08	3083	35.69	3138	37.31	3191	38.97	3245	40.65	3298	42.35	3351	44.07	3404	45.82
15048	4400	2967	32.81	3019	34.39	3072	35.99	3124	37.61	3176	39.27	3228	40.95	3280	42.65	3331	44.38	3382	46.13	3433	47.91
15732	4600	3017	34.81	3068	36.40	3118	38.03	3168	39.68	3218	41.36	3268	43.06	3318	44.79	3368	46.55	3417	48.32	3466	50.12
16416	4800	3072	36.96	3120	38.57	3168	40.21	3216	41.89	3264	43.59	3312	45.32	3360	47.07	3408	48.85	3456	50.65	3504	52.48
17100	5000	3129	39.26	3175	40.89	3221	42.55	3268	44.25	3314	45.97	3360	47.72	3406	49.50	3452	51.30	3498	53.13	3544	54.98
17784	5200	3190	41.72	3234	43.37	3278	45.06	3322	46.77	3367	48.51	3411	50.28	3455	52.08	3500	53.90	3544	55.75	3589	57.63
18468	5400	3253	44.36	3295	46.03	3337	47.73	3380	49.46	3422	51.22	3465	53.01	3508	54.83	3551	56.68	3593	58.55	3636	60.44
19152	5600	3318	47.17	3359	48.86	3399	50.58	3440	52.33	3481	54.11	3522	55.92	3563	57.76	3604	59.62	3646	61.51	3687	63.43

Performance certified is for installation type B - free inlet, duct



ARRANGEMENT 3



ARRANGEMENT 3-DWDI-CLASS I & II

MODEL NO.	WHL. DIA.	SHAFT EXT. DIA.	KEYWAY	SHAFT EXT. DIA.	KEYWAY	TH, DB, BH, UB STRAIGHT DISCH.				BAU, TAU, TAD, BAD ANGULAR DISCH.				CLASS I	CLASS II	N	P	Q	R	X				
						A	C	D	F	H	J	K	L								H	J	K	L
B1182	18-1/4	1-11/16	3/8 X 3/16 X 3-1/2	1-15/16	1/2 X 1/4 X 6	23-1/8	19-5/8	25-1/2	21-1/2	15	12-5/8	17-1/8	14-5/8	24-1/8	16	18-1/2	13-5/8	19-7/8	23	14-3/4	19-5/8	27	29-1/2	21-7/8

Note: Letters "C" and "D" are outside housing dimensions.

PEERLESS ELECTRIC "POWER FIXED 2000" PERFORMANCE TABLE

BI200-2
DOUBLE-WIDTH

TIP SPEED (FPM) = 5.236 x RPM

OUTLET (4.176 Sq. Ft. Inside)
21-1/2" x 28-3/8" Outside

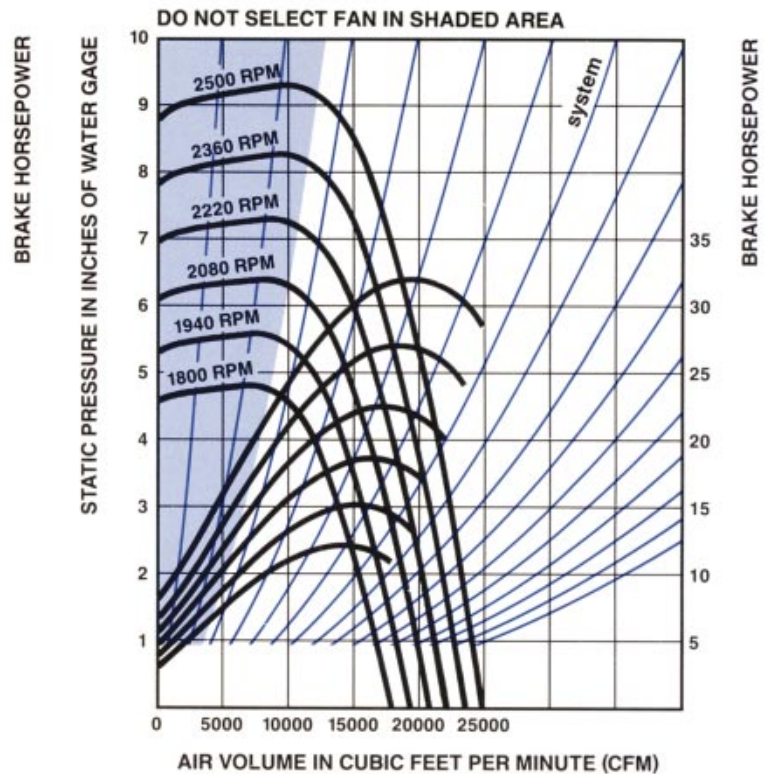
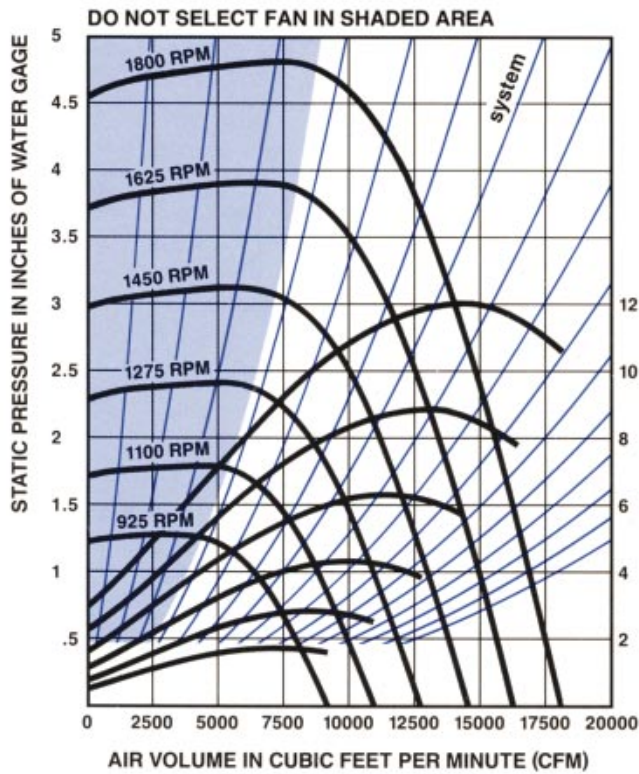
MAX. HP = 2.0546 (RPM/1000)³

WHEEL DIAMETER = 20"

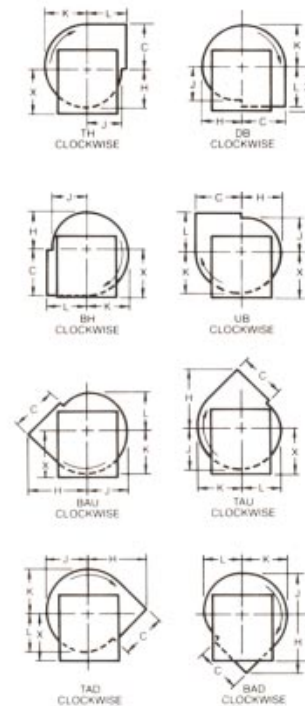
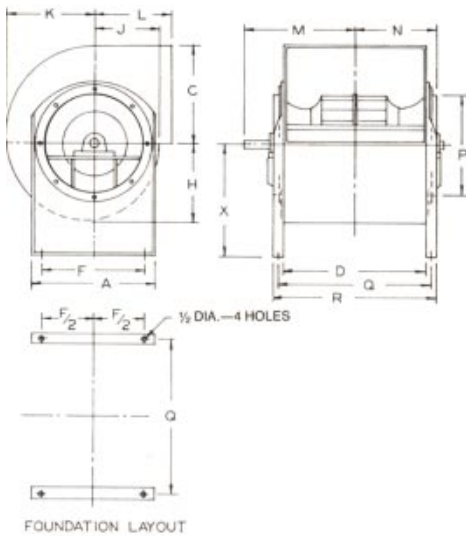
INLET (4.87 Sq. Ft. Inside)
21-1/2" Dia. Outside

MAX.RPM
CL. I 1875
CL. II 2444
CL. III 3080

VOL CFM	VEL FPM	.25 SP		.5 SP		.75 SP		1 SP		1.25 SP		1.5 SP		2 SP		2.5 SP		3 SP		3.5 SP	
		RPM	BHP	RPM	BHP	RPM	BHP	RPM	BHP	RPM	BHP	RPM	BHP	RPM	BHP	RPM	BHP	RPM	BHP	RPM	BHP
4176	1000	526	0.30	630	0.49	733	0.73	831	0.99	-	-	-	-	-	-	-	-	-	-	-	-
4594	1100	559	0.36	653	0.56	748	0.80	840	1.07	-	-	-	-	-	-	-	-	-	-	-	-
5011	1200	594	0.43	679	0.63	767	0.88	853	1.16	936	1.47	-	-	-	-	-	-	-	-	-	-
5429	1300	630	0.51	708	0.72	788	0.98	869	1.26	948	1.58	1024	1.91	-	-	-	-	-	-	-	-
5846	1400	666	0.59	739	0.82	813	1.08	888	1.38	963	1.70	1035	2.04	1174	2.78	-	-	-	-	-	-
6264	1500	703	0.69	772	0.94	840	1.20	910	1.50	980	1.83	1049	2.18	1183	2.94	-	-	-	-	-	-
6682	1600	739	0.80	806	1.07	869	1.34	934	1.64	1000	1.98	1066	2.33	1193	3.11	1316	3.95	-	-	-	-
7099	1700	776	0.92	841	1.21	900	1.49	961	1.80	1023	2.14	1085	2.50	1207	3.29	1324	4.15	-	-	-	-
7517	1800	813	1.05	877	1.37	933	1.66	989	1.97	1047	2.32	1106	2.69	1222	3.49	1336	4.37	1445	5.30	-	-
7934	1900	850	1.19	913	1.54	966	1.84	1020	2.16	1074	2.51	1129	2.89	1240	3.71	1349	4.60	1455	5.55	1557	6.56
8352	2000	887	1.35	950	1.72	1001	2.04	1051	2.37	1103	2.73	1155	3.11	1260	3.94	1365	4.85	1467	5.82	1566	6.84
8770	2100	925	1.52	986	1.92	1036	2.26	1084	2.60	1132	2.96	1182	3.35	1282	4.20	1382	5.12	1481	6.10	1577	7.14
9187	2200	964	1.71	1023	2.13	1072	2.50	1118	2.85	1164	3.22	1210	3.61	1306	4.47	1401	5.40	1496	6.40	1589	7.46
9605	2300	1003	1.92	1059	2.35	1109	2.75	1153	3.12	1196	3.50	1240	3.89	1331	4.76	1423	5.71	1514	6.72	1604	7.80
10022	2400	1043	2.15	1096	2.59	1145	3.02	1188	3.41	1230	3.79	1272	4.20	1358	5.08	1445	6.04	1533	7.07	1620	8.16
10440	2500	1083	2.40	1133	2.85	1182	3.31	1224	3.71	1264	4.11	1304	4.53	1386	5.42	1470	6.39	1554	7.43	1638	8.53
10858	2600	1123	2.67	1170	3.12	1218	3.61	1260	4.04	1299	4.46	1337	4.88	1415	5.78	1496	6.76	1577	7.82	1658	8.94
11275	2700	1163	2.96	1207	3.41	1255	3.93	1296	4.39	1334	4.82	1371	5.26	1446	6.17	1523	7.17	1600	8.23	1679	9.36
11693	2800	1203	3.26	1244	3.72	1291	4.27	1333	4.76	1370	5.21	1406	5.66	1477	6.59	1551	7.59	1626	8.67	1701	9.81
12110	2900	1242	3.59	1282	4.06	1328	4.62	1369	5.14	1406	5.62	1441	6.08	1510	7.03	1580	8.05	1652	9.14	1725	10.29
12528	3000	1282	3.93	1320	4.41	1365	4.99	1406	5.55	1442	6.05	1477	6.53	1543	7.50	1611	8.53	1680	9.63	1750	10.80
13363	3200	1360	4.67	1398	5.20	1438	5.80	1479	6.42	1515	6.98	1549	7.50	1612	8.53	1674	9.59	1738	10.71	1803	11.90
14198	3400	1440	5.51	1477	6.11	1513	6.70	1552	7.37	1588	7.99	1621	8.57	1682	9.67	1741	10.77	1800	11.92	1861	13.13
VOL CFM	VEL FPM	4 SP		4.5 SP		5 SP		5.5 SP		6 SP		6.5 SP		7 SP		7.5 SP		8 SP		8.5 SP	
		RPM	BHP	RPM	BHP	RPM	BHP	RPM	BHP	RPM	BHP	RPM	BHP	RPM	BHP	RPM	BHP	RPM	BHP	RPM	BHP
9605	2300	1692	8.92	1779	10.10	1864	11.31	-	-	-	-	-	-	-	-	-	-	-	-	-	-
10022	2400	1706	9.30	1790	10.49	1873	11.72	1953	13.00	-	-	-	-	-	-	-	-	-	-	-	-
10440	2500	1721	9.69	1803	10.90	1883	12.15	1962	13.45	2040	14.78	-	-	-	-	-	-	-	-	-	-
10858	2600	1738	10.11	1817	11.33	1896	12.60	1973	13.92	2049	15.27	2123	16.65	-	-	-	-	-	-	-	-
11275	2700	1756	10.55	1833	11.79	1910	13.08	1985	14.40	2059	15.77	2132	17.18	2203	18.62	2274	20.09	-	-	-	-
11693	2800	1776	11.02	1851	12.27	1925	13.57	1998	14.92	2071	16.30	2142	17.73	2212	19.19	2281	20.68	2349	22.21	-	-
12110	2900	1797	11.51	1870	12.77	1942	14.09	2013	15.45	2084	16.86	2153	18.30	2222	19.78	2290	21.29	2356	22.84	2422	24.41
12528	3000	1820	12.03	1890	13.31	1960	14.64	2030	16.02	2098	17.44	2166	18.90	2233	20.39	2300	21.92	2365	23.49	2430	25.08
13363	3200	1869	13.15	1935	14.46	2000	15.82	2066	17.22	2131	18.67	2196	20.17	2260	21.70	2324	23.26	2387	24.86	2449	26.50
14198	3400	1922	14.40	1983	15.73	2045	17.12	2108	18.55	2169	20.03	2231	21.55	2292	23.11	2353	24.71	2413	26.35	2473	28.01
15034	3600	1979	15.78	2037	17.14	2095	18.54	2153	20.00	2212	21.51	2271	23.06	2329	24.65	2387	26.28	2445	27.95	2502	29.65
15869	3800	2039	17.31	2093	18.69	2148	20.11	2203	21.60	2259	23.13	2314	24.70	2370	26.32	2425	27.98	2480	29.67	2535	31.41
16704	4000	2102	18.98	2153	20.38	2205	21.83	2257	23.34	2309	24.89	2362	26.49	2415	28.13	2468	29.82	2520	31.54	2573	33.31
17539	4200	2168	20.81	2216	22.24	2265	23.71	2314	25.24	2364	26.81	2413	28.43	2464	30.10	2514	31.81	2564	33.56	2614	35.35
18374	4400	2236	22.80	2281	24.25	2327	25.75	2374	27.30	2421	28.90	2468	30.54	2516	32.23	2563	33.97	2611	35.74	2659	37.56
19210	4600	2305	24.94	2349	26.44	2392	27.97	2436	29.54	2481	31.16	2526	32.83	2571	34.54	2616	36.29	2662	38.09	2708	39.93
20045	4800	2376	27.25	2417	28.79	2459	30.35	2501	31.95	2543	33.60	2586	35.29	2629	37.02	2672	38.80	2715	40.62	2759	42.48
20880	5000	2447	29.71	2488	31.31	2528	32.92	2568	34.55	2608	36.23	2648	37.94	2689	39.70	2730	41.50	2772	43.34	2814	45.22
21715	5200	2520	32.33	2559	34.00	2597	35.66	2636	37.34	2674	39.04	2713	40.79	2752	42.57	2791	44.39	2831	46.26	2870	48.16
22550	5400	2592	35.11	2631	36.86	2668	38.58	2705	40.31	2742	42.05	2779	43.83	2816	45.64	2854	47.49	2892	49.38	2930	51.31
23386	5600	2665	38.05	2703	39.88	2740	41.68	2776	43.46	2811	45.26	2847	47.07	2883	48.92	2919	50.80	2955	52.71	2991	54.66
VOL CFM	VEL FPM	9 SP		9.5 SP		10 SP		10.5 SP		11 SP		11.5 SP		12 SP		12.5 SP		13 SP		13.5 SP	
		RPM	BHP	RPM	BHP	RPM	BHP	RPM	BHP	RPM	BHP	RPM	BHP	RPM	BHP	RPM	BHP	RPM	BHP	RPM	BHP
15034	3600	2559	31.38	2615	33.15	2671	34.95	2727	36.77	2782	38.63	2836	40.51	2890	42.42	2944	44.35	2996	46.31	-	-
15869	3800	2590	33.17	2644	34.97	2698	36.81	2752	38.67	2805	40.56	2857	42.48	2910	44.42	2961	46.40	3013	48.40	3064	50.42
16704	4000	2625	35.10	2677	36.93	2729	38.80	2781	40.69	2832	42.62	2883	44.57	2933	46.55	2984	48.56	3033	50.60	3083	52.66
17539	4200	2664	37.18	2714	39.04	2764	40.93	2814	42.86	2863	44.81	2912	46.80	2961	48.82	3010	50.86	3058	52.93	3106	55.03
18374	4400	2707	39.41	2755	41.30	2803	43.22	2851	45.17	2898	47.16	2945	49.18	2993	51.23	3039	53.30	3086	55.40	3133	57.54
19210	4600	2753	41.81	2799	43.72	2845	45.67	2891	47.65	2937	49.67	2982	51.72	3028	53.79	3073	55.90	3118	58.04	3163	60.20
20045	4800	2803	44.38	2847	46.32	2891	48.30	2935	50.31	2979	52.35	3023	54.42	3066	56.53	3110	58.67	3154	60.83	3197	63.02
20880	5000	2855	47.15	2897	49.11	2939	51.11	2982	53.14	3024	55.21	3066	57.31	3108	59.44	3150	61.61	3192	63.80	3234	66.02
21715	5200	2911	50.11	2951	52.09	2991	54.11	3031	56.17	3072	58.26	3113	60.39	3153	62.55	3194	64.74	3234	66.96	3275	69.21
22550	5400	2968	53.27	3007	55.28	3045	57.32	3084	59.40	3123	61.52	3162	63.67	3201	65.85	3240	68.07	3279	70.31	3318	72.59
23386	5600	3028	56.65	3065	58.68	3102	60.74	3139	62.85	3176	64.98	3214	67.16	3251	69.36	3289	71.60	3327	73.87	3364	



ARRANGEMENT 3



ARRANGEMENT 3-DWDI-CLASS I & II

MODEL NO.	WHL. DIA.	SHAFT EXT. DIA.	KEYWAY	SHAFT EXT. DIA.	KEYWAY	TH, DB, BH, UB STRAIGHT DISCH.				BAU, TAU, TAD, BAD ANGULAR DISCH.				CLASS I	CLASS II	N	P	Q	R	X				
						A	C	D	F	H	J	K	L								H	J	K	L
B1200	20	1-11/16	3/8 X 3/16 X 4	2-3/16	1/2 X 1/4 X 6	25	21-1/2	28-3/8	23-3/8	16-1/2	13-3/4	18-3/4	15-3/4	26-3/8	17-5/8	20-3/8	14-7/8	21-3/4	24-3/4	16-1/4	21-1/2	30-3/8	32-3/8	23-3/4

Note: Letters "C" and "D" are outside housing dimensions.

PEERLESS ELECTRIC "POWER FIXED 2000" PERFORMANCE TABLE BI222-2

DOUBLE-WIDTH

TIP SPEED (FPM) = 5.825 x RPM

OUTLET

(5.094 Sq. Ft. Inside)

MAX. HP = 3.6887 (RPM/1000)³

24" x 31" Outside

MAX.RPM

INLET
(6.030 Sq. Ft. Inside)
23-7/8" Dia. Outside

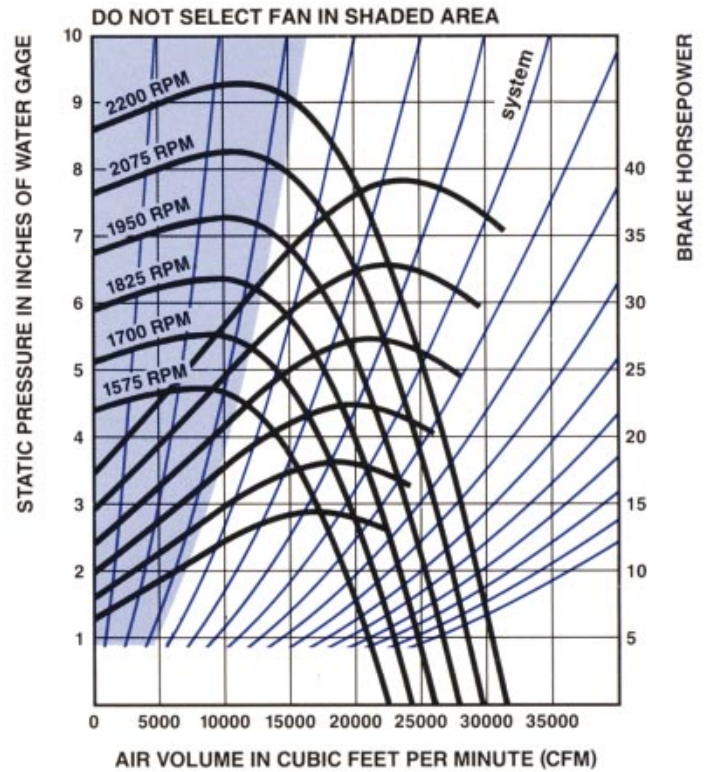
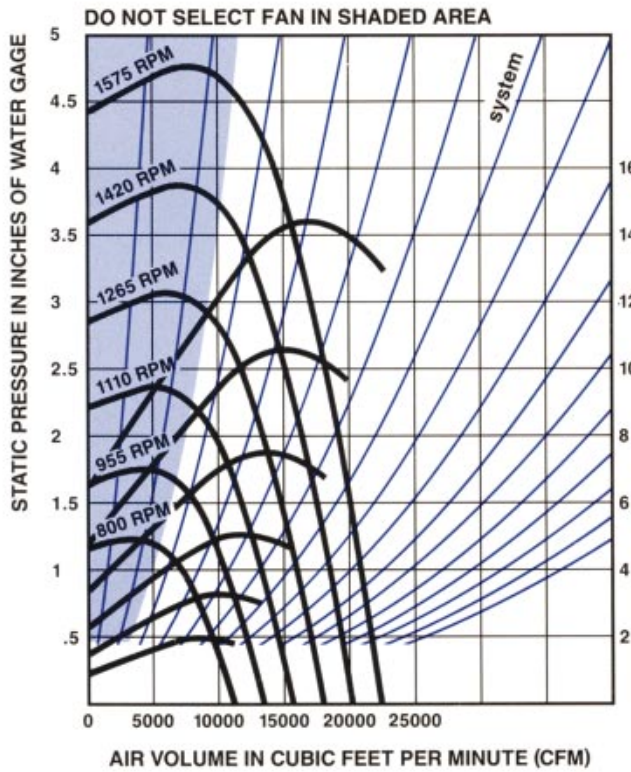
CL. I 1652

CL. II 2155

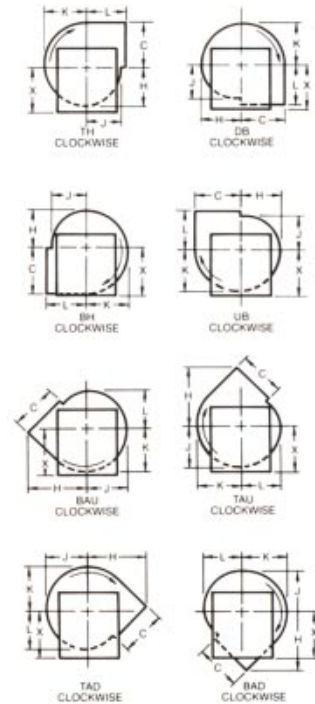
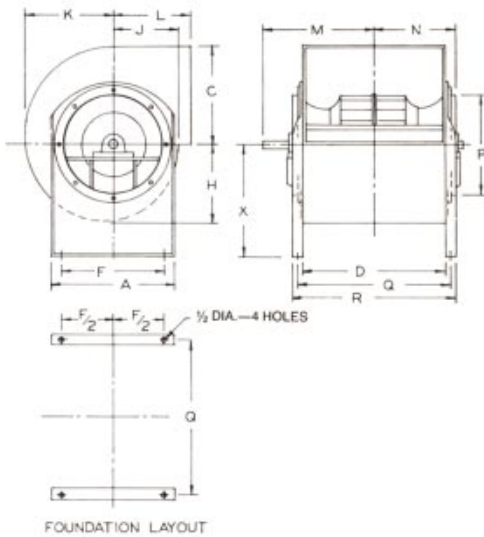
CL. III 2716

WHEEL DIAMETER = 22-1/4"

VOL CFM	VEL FPM	.25 SP		.5 SP		.75 SP		1 SP		1.25 SP		1.5 SP		2 SP		2.5 SP		3 SP		3.5 SP	
		RPM	BHP	RPM	BHP	RPM	BHP	RPM	BHP	RPM	BHP	RPM	BHP	RPM	BHP	RPM	BHP	RPM	BHP	RPM	BHP
5094	1000	464	0.37	557	0.62	647	0.92	-	-	-	-	-	-	-	-	-	-	-	-	-	-
5603	1100	492	0.44	577	0.70	661	1.00	741	1.35	-	-	-	-	-	-	-	-	-	-	-	-
6113	1200	521	0.52	600	0.79	677	1.11	753	1.46	826	1.85	-	-	-	-	-	-	-	-	-	-
6622	1300	551	0.60	625	0.90	697	1.22	768	1.59	836	1.98	903	2.41	-	-	-	-	-	-	-	-
7132	1400	581	0.70	652	1.02	719	1.35	785	1.73	850	2.13	913	2.57	-	-	-	-	-	-	-	-
7641	1500	612	0.82	680	1.15	743	1.50	805	1.88	866	2.30	926	2.74	1043	3.71	-	-	-	-	-	-
8150	1600	643	0.94	708	1.30	768	1.66	826	2.05	884	2.48	941	2.93	1053	3.92	-	-	-	-	-	-
8660	1700	675	1.08	738	1.46	795	1.84	850	2.24	904	2.68	959	3.14	1065	4.14	1168	5.24	-	-	-	-
9169	1800	707	1.24	767	1.64	822	2.04	875	2.45	926	2.89	978	3.37	1079	4.39	1178	5.50	1274	6.72	-	-
9679	1900	740	1.42	797	1.83	850	2.25	901	2.68	950	3.13	999	3.61	1096	4.65	1191	5.78	1283	7.01	-	-
10188	2000	774	1.61	828	2.04	879	2.48	928	2.93	975	3.39	1021	3.88	1114	4.94	1205	6.09	1294	7.33	1381	8.65
10697	2100	808	1.83	858	2.26	909	2.73	955	3.20	1000	3.68	1045	4.18	1134	5.25	1221	6.42	1307	7.67	1391	9.00
11207	2200	842	2.06	890	2.50	938	3.00	984	3.49	1027	3.98	1070	4.49	1155	5.59	1239	6.77	1321	8.04	1403	9.39
11716	2300	875	2.32	921	2.77	968	3.28	1013	3.79	1055	4.31	1096	4.83	1177	5.94	1258	7.15	1337	8.44	1416	9.80
12226	2400	909	2.59	953	3.05	999	3.58	1042	4.12	1093	4.65	1122	5.19	1201	6.33	1278	7.55	1355	8.86	1431	10.24
12735	2500	943	2.88	985	3.36	1029	3.91	1071	4.47	1111	5.02	1150	5.58	1225	6.74	1300	7.98	1374	9.31	1447	10.71
13244	2600	976	3.19	1018	3.70	1060	4.25	1101	4.84	1140	5.41	1178	5.99	1251	7.18	1323	8.44	1394	9.78	1465	11.20
13754	2700	1010	3.52	1051	4.06	1091	4.62	1131	5.22	1170	5.83	1206	6.43	1277	7.65	1346	8.93	1415	10.29	1484	11.73
14263	2800	1044	3.88	1085	4.45	1123	5.01	1162	5.64	1199	6.27	1235	6.89	1304	8.14	1371	9.45	1438	10.83	1504	12.28
14773	2900	1079	4.27	1119	4.87	1155	5.43	1192	6.07	1229	6.72	1264	7.37	1331	8.66	1397	10.00	1461	11.39	1525	12.87
15282	3000	1115	4.71	1152	5.31	1187	5.88	1223	6.53	1259	7.21	1294	7.88	1359	9.21	1423	10.57	1485	12.00	1547	13.49
16301	3200	1188	5.69	1220	6.28	1252	6.88	1286	7.54	1320	8.25	1354	8.97	1417	10.40	1477	11.83	1536	13.30	1594	14.83
17320	3400	1261	6.80	1288	7.35	1319	8.00	1350	8.67	1382	9.41	1414	10.17	1475	11.69	1533	13.20	1589	14.73	1644	16.31
VOL CFM	VEL FPM	4 SP		4.5 SP		5 SP		5.5 SP		6 SP		6.5 SP		7 SP		7.5 SP		8 SP		8.5 SP	
		RPM	BHP	RPM	BHP	RPM	BHP	RPM	BHP	RPM	BHP	RPM	BHP	RPM	BHP	RPM	BHP	RPM	BHP	RPM	BHP
11716	2300	1493	11.24	1569	12.75	1643	14.34	-	-	-	-	-	-	-	-	-	-	-	-	-	-
12226	2400	1506	11.69	1579	13.22	1651	14.81	1722	16.48	-	-	-	-	-	-	-	-	-	-	-	-
12735	2500	1520	12.17	1591	13.71	1661	15.32	1731	17.00	1798	18.74	-	-	-	-	-	-	-	-	-	-
13244	2600	1535	12.69	1605	14.24	1673	15.86	1740	17.55	1806	19.30	1872	21.12	-	-	-	-	-	-	-	-
13754	2700	1552	13.23	1619	14.80	1686	16.44	1751	18.13	1816	19.90	1880	21.73	1942	23.62	-	-	-	-	-	-
14263	2800	1570	13.81	1635	15.39	1700	17.04	1764	18.76	1827	20.53	1889	22.37	1951	24.27	2011	26.23	-	-	-	-
14773	2900	1589	14.41	1652	16.02	1715	17.69	1777	19.41	1839	21.20	1900	23.05	1960	24.96	2019	26.93	2078	28.95	-	-
15282	3000	1609	15.05	1671	16.68	1732	18.36	1792	20.11	1852	21.91	1912	23.77	1970	25.69	2028	27.67	2086	29.70	2142	31.79
16301	3200	1653	16.43	1711	18.09	1768	19.81	1826	21.60	1883	23.43	1939	25.33	1995	27.27	2051	29.27	2106	31.33	2160	33.43
17320	3400	1699	17.95	1754	19.65	1809	21.41	1863	23.23	1917	25.11	1971	27.03	2025	29.01	2078	31.04	2130	33.12	2182	35.25
18338	3600	1749	19.62	1801	21.36	1853	23.16	1904	25.02	1956	26.93	2007	28.89	2058	30.91	2109	32.97	2159	35.09	2209	37.25
19357	3800	1801	21.45	1850	23.23	1900	25.07	1949	26.96	1998	28.91	2046	30.92	2095	32.97	2143	35.07	2192	37.22	2239	39.41
20376	4000	1855	23.44	1902	25.27	1949	27.15	1996	29.08	2043	31.07	2089	33.11	2135	35.20	2182	37.34	2228	39.53	2274	41.76
21395	4200	1911	25.58	1956	27.48	2001	29.41	2046	31.38	2090	33.41	2134	35.48	2179	37.61	2223	39.79	2267	42.01	2311	44.28
22414	4400	1967	27.88	2011	29.85	2054	31.84	2097	33.86	2140	35.93	2182	38.04	2225	40.21	2267	42.42	2309	44.68	2351	46.99
23432	4600	2025	30.34	2068	32.39	2109	34.44	2151	36.53	2192	38.64	2232	40.80	2273	43.01	2314	45.26	2354	47.55	2395	49.90
24451	4800	2084	32.96	2125	35.09	2165	37.23	2205	39.37	2245	41.55	2284	43.76	2323	46.01	2362	48.30	2401	50.63	2440	53.01
25470	5000	2143	35.74	2183	37.96	2223	40.18	2261	42.41	2300	44.65	2338	46.92	2375	49.21	2413	51.55	2450	53.93	2488	56.35
26489	5200	2203	38.68	2242	41.01	2281	43.32	2319	45.63	2356	47.94	2393	50.27	2429	52.63	2465	55.02	2501	57.44	2538	59.90
27508	5400	2263	41.79	2302	44.22	2339	46.63	2376	49.03	2413	51.43	2448	53.83	2484	56.25	2519	58.70	2554	61.17	2589	63.68
28526	5600	2324	45.09	2362	47.61	2399	50.12	2435	52.62	2470	55.10	2505	57.59	2540	60.09	2574	62.60	2608	65.13	2642	67.69
VOL CFM	VEL FPM	9 SP		9.5 SP		10 SP		10.5 SP		11 SP		11.5 SP		12 SP		12.5 SP		13 SP		13.5 SP	
		RPM	BHP	RPM	BHP	RPM	BHP	RPM	BHP	RPM	BHP	RPM	BHP	RPM	BHP	RPM	BHP	RPM	BHP	RPM	BHP
18338	3600	2259	39.45	2308	41.71	2357	44.02	2405	46.37	2453	48.77	2501	51.22	2548	53.72	2595	56.26	-	-	-	-
19357	3800	2287	41.65	2334	43.94	2381	46.27	2428	48.65	2475	51.07	2521	53.54	2566	56.06	2612	58.62	2657	61.22	2701	63.87
20376	4000	2319	44.03	2365	46.35	2410	48.72	2455	51.12	2500	53.57	2544	56.06	2588	58.60	2632	61.18	2676	63.81	2719	66.47
21395	4200	2355	46.59	2398	48.95	2442	51.35	2485	53.79	2528	56.27	2571	58.79	2614	61.35	2656	63.96	2698	66.61	2740	69.29
22414	4400	2393	49.34	2435	51.74	2477	54.17	2519	56.65	2560	59.17	2602	61.72	2643	64.32	2684	66.95	2724	69.63	2765	72.34
23432	4600	2435	52.29	2475	54.72	2515	57.19	2555	59.71	2595	62.26	2635	64.86	2675	67.49	2714	70.15	2754	72.86	2793	75.60
24451	4800	2479	55.44	2518	57.91	2556	60.42	2595	62.97	2633	65.56	2672	68.19	2710	70.86	2748	73.57	2786	76.31	2824	79.09
25470	5000	2525	58.81	2562	61.31	2600	63.86	2637	66.45	2674	69.08	2711	71.75	2748	74.46	2785	77.20	2821	79.98	2858	82.79
26489	5200	2573	62.40	2609	64.94	2645	67.53	2681	70.15	2717	72.82	2752	75.53	2788	78.27	2824	81.05	2859	83.87	2895	86.72
27508	5400	2624	66.23	2658	68.81	2693	71.43	2727	74.09	2762	76.80	2796	79.54	2831	82.32	2865	85.14	2899	87.99	2934	90.88
28526	5600	2675	70.28	2709	72.91	2742	75.57	2776	78.28	2809	81.02										



ARRANGEMENT 3



ARRANGEMENT 3-DWDI-CLASS I & II

MODEL NO.	WHL. DIA.	SHAFT		A	C	D	F	TH, DB, BH, UB STRAIGHT DISCH.				BAU, TAU, TAD, BAD ANGULAR DISCH.				CLASS I	CLASS II	N	P	Q	R	X		
		EXT. DIA.	KEYWAY					EXT. DIA.	KEYWAY	H	J	K	L	H	J	K	L						M	M
BI222	22-1/4	1-15/16	1/2 X 1/4 X 4	2-3/16	1/2 X 1/4 X 6	27-3/8	24	31	25-3/4	18-1/4	15-1/4	20-7/8	17-1/4	29	19-1/2	22-5/8	16-1/2	23-3/8	26	18	23-7/8	33	36	26-1/8

Note: Letters "C" and "D" are outside housing dimensions.

PEERLESS ELECTRIC "POWER FIXED 2000" PERFORMANCE TABLE

BI245-2

TIP SPEED (FPM) = 6.414 x RPM

OUTLET

(6.228 Sq. Ft. Inside)

26-1/4" x 34-1/2" Outside

DOUBLE-WIDTH

MAX. HP = 5.9852 (RPM/1000)³

MAX.RPM

CL. I 1501

CL. II 1958

CL. III 2467

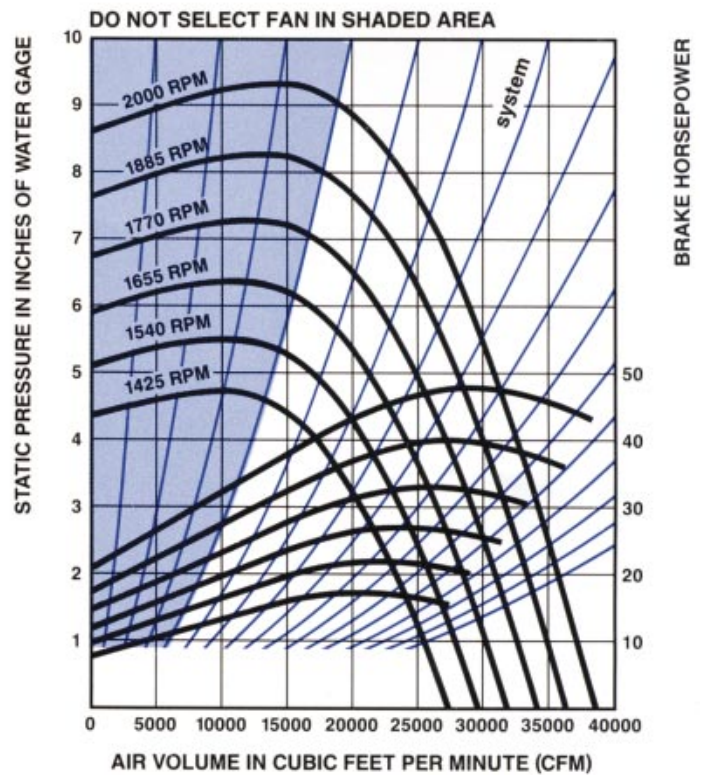
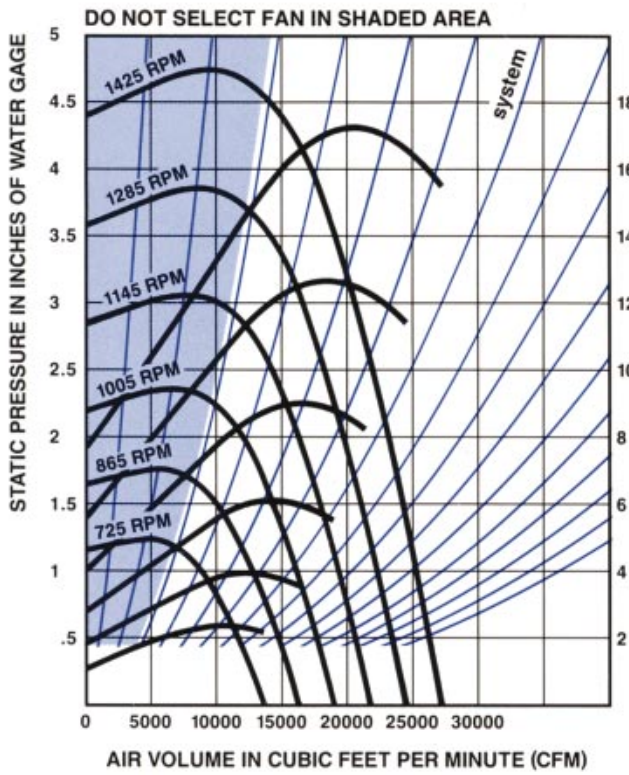
WHEEL DIAMETER = 24-1/2"

INLET

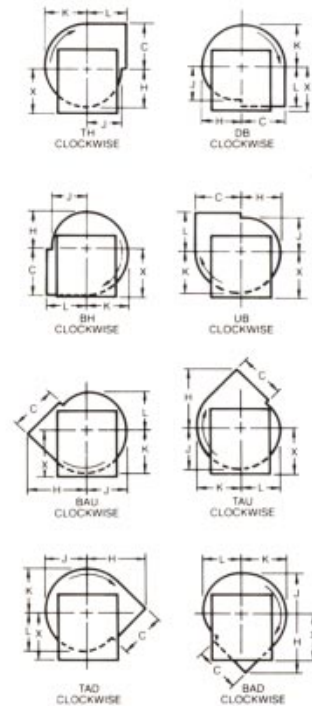
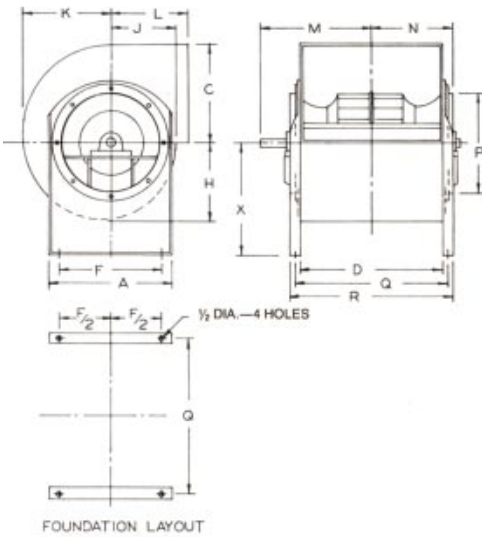
(7.30 Sq. Ft. Inside)

26-3/8" Dia. Outside

VOL CFM	VEL FPM	.25 SP		.5 SP		.75 SP		1 SP		1.25 SP		1.5 SP		2 SP		2.5 SP		3 SP		3.5 SP	
		RPM	BHP	RPM	BHP	RPM	BHP	RPM	BHP	RPM	BHP	RPM	BHP	RPM	BHP	RPM	BHP	RPM	BHP	RPM	BHP
6228	1000	421	0.44	506	0.75	588	1.11	-	-	-	-	-	-	-	-	-	-	-	-	-	-
6851	1100	447	0.53	524	0.85	600	1.22	673	1.64	-	-	-	-	-	-	-	-	-	-	-	-
7474	1200	473	0.62	545	0.96	615	1.34	684	1.77	750	2.25	-	-	-	-	-	-	-	-	-	-
8096	1300	500	0.73	568	1.09	633	1.48	697	1.92	760	2.40	820	2.93	-	-	-	-	-	-	-	-
8719	1400	528	0.85	592	1.23	653	1.64	713	2.09	772	2.58	830	3.11	-	-	-	-	-	-	-	-
9342	1500	556	0.99	617	1.40	674	1.82	731	2.28	786	2.78	841	3.32	947	4.50	-	-	-	-	-	-
9965	1600	584	1.14	643	1.58	697	2.02	750	2.49	803	3.00	855	3.55	956	4.75	1053	6.07	-	-	-	-
10588	1700	613	1.31	670	1.77	722	2.23	772	2.72	821	3.24	871	3.80	967	5.02	1061	6.36	-	-	-	-
11210	1800	642	1.51	697	1.99	747	2.47	794	2.97	841	3.51	888	4.08	980	5.32	1070	6.67	1157	8.14	-	-
11833	1900	672	1.72	724	2.22	772	2.73	818	3.25	863	3.80	907	4.38	995	5.64	1081	7.01	1165	8.50	1247	10.09
12456	2000	703	1.96	752	2.47	799	3.01	842	3.55	885	4.12	927	4.71	1012	5.99	1094	7.38	1175	8.88	1254	10.49
13079	2100	734	2.22	780	2.74	825	3.31	868	3.88	909	4.46	949	5.06	1029	6.37	1109	7.78	1187	9.30	1263	10.92
13702	2200	764	2.50	808	3.03	852	3.63	893	4.23	933	4.83	972	5.45	1049	6.77	1125	8.21	1200	9.75	1274	11.38
14324	2300	795	2.81	837	3.35	879	3.98	920	4.60	958	5.22	995	5.86	1069	7.21	1142	8.67	1215	10.23	1286	11.88
14947	2400	826	3.14	866	3.70	907	4.34	946	5.00	983	5.64	1019	6.30	1090	7.67	1161	9.16	1231	10.74	1299	12.41
15570	2500	856	3.49	895	4.08	935	4.74	973	5.42	1009	6.09	1044	6.77	1113	8.17	1180	9.68	1248	11.28	1314	12.98
16193	2600	887	3.86	925	4.48	963	5.15	1000	5.86	1036	6.57	1070	7.27	1136	8.71	1201	10.23	1266	11.86	1330	13.58
16816	2700	917	4.27	955	4.92	991	5.60	1028	6.33	1062	7.07	1096	7.79	1160	9.27	1223	10.83	1285	12.48	1348	14.22
17438	2800	948	4.70	985	5.39	1020	6.08	1055	6.83	1089	7.60	1122	8.35	1184	9.87	1245	11.45	1306	13.13	1366	14.89
18061	2900	980	5.18	1016	5.90	1049	6.59	1083	7.36	1116	8.15	1148	8.94	1209	10.50	1268	12.12	1327	13.82	1385	15.60
18684	3000	1012	5.71	1047	6.44	1078	7.13	1111	7.92	1144	8.74	1175	9.55	1235	11.17	1292	12.82	1349	14.54	1405	16.35
19930	3200	1079	6.90	1108	7.61	1137	8.34	1168	9.14	1199	10.00	1229	10.88	1287	12.61	1341	14.34	1395	16.12	1448	17.98
21175	3400	1145	8.24	1169	8.91	1198	9.70	1226	10.51	1255	11.40	1284	12.33	1340	14.18	1392	16.01	1443	17.87	1493	19.78
VOL CFM	VEL FPM	4 SP		4.5 SP		5 SP		5.5 SP		6 SP		6.5 SP		7 SP		7.5 SP		8 SP		8.5 SP	
		RPM	BHP	RPM	BHP	RPM	BHP	RPM	BHP	RPM	BHP	RPM	BHP	RPM	BHP	RPM	BHP	RPM	BHP	RPM	BHP
14324	2300	1356	13.62	1425	15.46	1492	17.39	-	-	-	-	-	-	-	-	-	-	-	-	-	-
14947	2400	1367	14.17	1434	16.02	1500	17.96	1564	19.98	-	-	-	-	-	-	-	-	-	-	-	-
15570	2500	1380	14.76	1445	16.63	1509	18.58	1572	20.61	1633	22.72	-	-	-	-	-	-	-	-	-	-
16193	2600	1394	15.38	1457	17.27	1519	19.23	1580	21.28	1641	23.40	1700	25.61	-	-	-	-	-	-	-	-
16816	2700	1409	16.04	1470	17.95	1531	19.93	1590	21.99	1649	24.13	1707	26.34	1764	28.63	-	-	-	-	-	-
17438	2800	1426	16.74	1485	18.66	1544	20.67	1602	22.74	1659	24.89	1716	27.12	1771	29.42	1826	31.80	-	-	-	-
18061	2900	1443	17.47	1501	19.42	1558	21.44	1614	23.54	1670	25.71	1725	27.95	1780	30.26	1834	32.65	1887	35.10	-	-
18684	3000	1461	18.25	1517	20.22	1573	22.26	1628	24.38	1682	26.56	1736	28.82	1790	31.15	1842	33.54	1894	36.01	1946	38.55
19930	3200	1501	19.92	1554	21.93	1606	24.02	1658	26.19	1710	28.41	1761	30.71	1812	33.06	1862	35.49	1912	37.98	1962	40.54
21175	3400	1543	21.76	1593	23.82	1643	25.96	1692	28.17	1741	30.44	1790	32.78	1839	35.17	1887	37.64	1935	40.16	1982	42.74
22421	3600	1588	23.79	1636	25.90	1683	28.08	1729	30.33	1776	32.65	1823	35.03	1869	37.48	1915	39.98	1961	42.54	2006	45.16
23666	3800	1636	26.01	1681	28.17	1725	30.40	1770	32.69	1814	35.06	1858	37.49	1903	39.97	1947	42.52	1990	45.13	2034	47.79
24912	4000	1685	28.42	1728	30.64	1770	32.92	1813	35.26	1855	37.67	1897	40.14	1939	42.68	1981	45.27	2023	47.92	2065	50.63
26158	4200	1735	31.02	1776	33.31	1817	35.65	1858	38.05	1898	40.50	1938	43.02	1979	45.60	2019	48.24	2059	50.94	2099	53.69
27403	4400	1787	33.81	1826	36.19	1866	38.60	1905	41.06	1943	43.56	1982	46.13	2020	48.75	2059	51.44	2097	54.18	2135	56.97
28649	4600	1839	36.79	1878	39.27	1916	41.76	1953	44.29	1990	46.85	2027	49.47	2064	52.14	2101	54.87	2138	57.66	2175	60.50
29894	4800	1892	39.96	1930	42.55	1967	45.14	2003	47.74	2039	50.38	2074	53.06	2110	55.78	2145	58.56	2181	61.39	2216	64.28
31140	5000	1946	43.33	1983	46.03	2019	48.72	2054	51.42	2089	54.14	2123	56.88	2157	59.67	2191	62.50	2225	65.38	2259	68.32
32386	5200	2000	46.90	2036	49.72	2071	52.52	2106	55.32	2139	58.13	2173	60.95	2206	63.81	2239	66.71	2272	69.64	2304	72.63
33631	5400	2055	50.67	2090	53.61	2125	56.54	2158	59.45	2191	62.35	2224	65.27	2256	68.21	2288	71.17	2319	74.17	2351	77.21
34877	5600	2110	54.67	2145	57.73	2178	60.77	2211	63.80	2244	66.81	2275	69.83	2307	72.85	2338	75.90	2368	78.97	2399	82.07
VOL CFM	VEL FPM	9 SP		9.5 SP		10 SP		10.5 SP		11 SP		11.5 SP		12 SP		12.5 SP		13 SP		13.5 SP	
		RPM	BHP	RPM	BHP	RPM	BHP	RPM	BHP	RPM	BHP	RPM	BHP	RPM	BHP	RPM	BHP	RPM	BHP	RPM	BHP
22421	3600	2051	47.84	2096	50.57	2140	53.37	2184	56.22	2228	59.14	2271	62.11	2314	65.13	2357	68.22	-	-	-	-
23666	3800	2077	50.50	2120	53.28	2163	56.10	2205	58.99	2247	61.92	2289	64.92	2331	67.97	2372	71.07	2413	74.23	2453	77.44
24912	4000	2106	53.39	2148	56.20	2189	59.07	2229	61.98	2270	64.95	2310	67.98	2351	71.05	2390	74.18	2430	77.36	2469	80.60
26158	4200	2139	56.49	2178	59.35	2218	62.36	2257	65.22	2296	68.23	2335	71.28	2374	74.39	2412	77.55	2451	80.76	2489	84.02
27403	4400	2174	59.83	2212	62.73	2250	65.68	2287	68.69	2325	71.74	2363	74.84	2400	77.98	2437	81.81	2474	84.42	2511	87.71
28649	4600	2211	63.40	2248	66.35	2284	69.35	2321	72.39	2357	75.49	2393	78.64	2429	81.82	2465	85.06	2501	88.34	2536	91.67
29894	4800	2251	67.22	2286	70.21	2321	73.26	2357	76.35	2391	79.49	2426	82.68	2461	85.92	2496	89.20	2530	92.53	2565	95.89
31140	5000	2293	71.30	2327	74.34	2361	77.43	2395	80.57	2428	83.76	2462	86.99	2495	90.28	2529	93.60	2562	96.97	2595	100.39
32386	5200	2337	75.66	2370	78.74	2402	81.88	2435	85.06	2467	88.29	2500	91.57	2532	94.90	2564	98.27	2597	101.69	2629	105.15
33631	5400	2383	80.30	2414	83.43	2446	86.61	2477	89.84	2508	93.11	2540	96.44	2571	99.81	2602	103.23	2633	106.69	2664</	



ARRANGEMENT 3



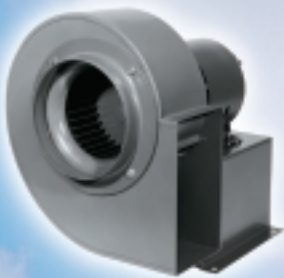
ARRANGEMENT 3-DWDI-CLASS I & II

MODEL NO.	WHL. DIA.	SHAFT EXT. DIA.	KEYWAY	SHAFT EXT. DIA.	KEYWAY	TH, DB, BH, UB STRAIGHT DISCH.				BAU, TAU, TAD, BAD ANGULAR DISCH.				CLASS I	CLASS II	N	P	Q	R	X				
						A	C	D	F	H	J	K	L								H	J	K	L
B1245	24-1/2	1-15/16	1/2 X 1/4 X 6	2-7/16	5/8 X 5/16 X 6	30-1/4	26-1/4	34-1/2	23-5/8	20-1/8	16-7/8	23	19-7/8	32-1/2	21-1/2	24-7/8	18-1/4	26-5/8	27-7/8	19-1/4	26-3/8	36-1/2	39-1/2	27-3/4

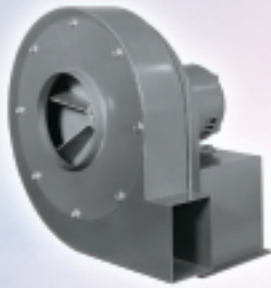
Note: Letters "C" and "D" are outside housing dimensions.

PEERLESS BLOWERS... Your Clean Air Source!

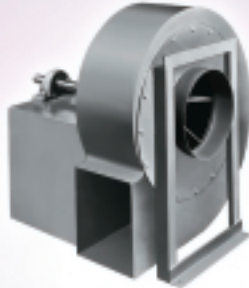
Supplier of Quality Products for Industry:



Direct Drive Fans



Pressure Blowers



Industrial Fans



Direct Drive Exhaust Fans



In-Line Centrifugal Fans



Backward Inclined Belt Drive Blowers



Belt Drive Propeller Fans



Powerfoil Fans



Plug-Pak Fans



Forward Curve Belt Drive Fans



PEERLESS BLOWERS

AFFILIATE OF **HBD INDUSTRIES, INC.**

One Madison Avenue, P.O. Box 187
Hot Springs, NC 28743-0187
828/622-7500 • 1-800/613-4766 • Fax: 828/622-3309

www.peerlessblowers.com • www.hbdindustries.com

E-Mail: sales@peerlessblowers.com

PB-19629 – August 2013
Printed in U.S.A.

PEERLESS BLOWERS
**VENTILATION
EQUIPMENT**



Registered
to ISO 9001

Peerless Blowers is an affiliate company of HBD Industries, Inc. HBD manufactures quality, application-engineered custom designed and standard industrial products serving many diverse industries and markets. Products manufactured by HBD Industries, Inc. include AC/DC/BLDC electric motors, aerospace precision components, budding strips, cemented tungsten carbide parts, closed die forgings, coated rubber fabrics, conveyor belting, drives, ducting, gear reducers, hose (automotive, aviation, hand-built, industrial, marine and petroleum), material handling products (metal separators/detectors and electromagnetic lifting equipment), power transmission belts, rubber bands, rubber roll coverings and ventilation equipment (fans and blowers). For complete details on HBD Industries, Inc. log onto www.hbdindustries.com.



POWER FIXED BLOWERS

**NON-OVERLOADING
SUPPLEMENTAL SIZES BC270SW TO BC490SW**



PEERLESS ELECTRIC

MADISON MANUFACTURING COMPANY

AFFILIATE OF PEERLESS-WINSMITH, INC.

PEERLESS ELECTRIC "POWER FIXED" PERFORMANCE TABLES

BC270SW

TIP SPEED (FPM) = 7.069 x RPM

OUTLET (4.19 Sq. Ft. Inside)
29" x 21 1/4" Outside

MAX. HP = 3.94 $\left(\frac{\text{RPM}}{1000}\right)^3$

WHEEL DIAMETER = 27"

INLET (4.430 Sq. Ft. Inside)
29" Dia. Outside

MAX. RPM
CL.1 1402
CL.2 1828
CL.3 2303

VOL CFM	VEL FPM	.5 SP		.75 SP		1 SP		1.50 SP		2 SP		2.5 SP		3 SP		3.5 SP		4 SP		4.5 SP	
		RPM	BHP	RPM	BHP	RPM	BHP	RPM	BHP	RPM	BHP	RPM	BHP	RPM	BHP	RPM	BHP	RPM	BHP	RPM	BHP
2514	600	421	0.27	499	0.42	571	0.59	—	—	—	—	—	—	—	—	—	—	—	—	—	—
3352	800	459	0.37	526	0.53	588	0.71	702	1.13	—	—	—	—	—	—	—	—	—	—	—	—
4190	1000	508	0.52	566	0.70	621	0.90	723	1.34	817	1.84	904	2.39	987	2.97	—	—	—	—	—	—
5028	1200	565	0.70	615	0.92	664	1.14	756	1.61	842	2.13	922	2.70	998	3.33	1071	3.99	1141	4.68	—	—
5866	1400	628	0.94	672	1.19	715	1.44	797	1.96	876	2.51	950	3.10	1021	3.74	1089	4.43	1154	5.16	1217	5.92
6704	1600	694	1.24	733	1.51	771	1.79	845	2.37	917	2.97	986	3.60	1052	4.26	1115	4.97	1177	5.71	1236	6.50
7542	1800	763	1.61	797	1.91	831	2.22	898	2.86	964	3.52	1028	4.19	1089	4.89	1149	5.62	1207	6.38	1262	7.19
8380	2000	832	2.05	864	2.38	895	2.72	956	3.41	1016	4.13	1075	4.87	1132	5.62	1188	6.39	1242	7.18	1295	8.01
9218	2200	902	2.58	933	2.94	961	3.31	1017	4.06	1072	4.83	1126	5.63	1180	6.44	1232	7.26	1283	8.10	1333	8.96
10056	2400	973	3.19	1002	3.59	1029	3.99	1080	4.79	1131	5.63	1181	6.48	1231	7.35	1280	8.23	1328	9.13	1376	10.04
10894	2600	1045	3.91	1072	4.34	1097	4.77	1146	5.64	1193	6.52	1239	7.44	1286	8.36	1332	9.31	1377	10.26	1422	11.23
11732	2800	1117	4.74	1142	5.20	1167	5.67	1213	6.59	1256	7.53	1300	8.50	1343	9.49	1386	10.49	1429	11.50	1471	12.53
12570	3000	1190	5.70	1214	6.17	1237	6.67	1281	7.67	1322	8.67	1363	9.69	1403	10.73	1444	11.79	1484	12.86	1524	13.95
13408	3200	1263	6.78	1285	7.28	1307	7.80	1349	8.87	1389	9.93	1427	11.00	1465	12.10	1503	13.21	1541	14.35	1579	15.49
VOL CFM	VEL FPM	5 SP		5.5 SP		6 SP		6.5 SP		7 SP		7.5 SP		8 SP		8.5 SP		9 SP		10 SP	
		RPM	BHP	RPM	BHP	RPM	BHP	RPM	BHP	RPM	BHP	RPM	BHP	RPM	BHP	RPM	BHP	RPM	BHP	RPM	BHP
6704	1600	1293	7.32	1350	8.18	1404	9.06	1458	9.97	1510	10.89	1561	11.82	—	—	—	—	—	—	—	—
7542	1800	1317	8.02	1370	8.90	1422	9.81	1472	10.75	1522	11.72	1571	12.71	1618	13.73	1665	14.76	1712	15.80	1802	17.90
8380	2000	1347	8.87	1397	9.76	1446	10.68	1495	11.64	1542	12.63	1588	13.65	1634	14.69	1679	15.77	1723	16.86	1809	19.11
9218	2200	1382	9.85	1430	10.76	1477	11.70	1523	12.68	1568	13.68	1612	14.72	1656	15.78	1699	16.87	1741	17.99	1823	20.31
10056	2400	1422	10.96	1468	11.91	1512	12.88	1556	13.88	1599	14.90	1642	15.95	1683	17.03	1724	18.14	1765	19.28	1844	21.63
10894	2600	1466	12.20	1509	13.20	1552	14.21	1594	15.24	1635	16.29	1675	17.37	1715	18.47	1755	19.59	1794	20.74	1870	23.12
11732	2800	1513	13.56	1554	14.61	1595	15.67	1635	16.75	1674	17.84	1713	18.95	1752	20.08	1789	21.23	1827	22.40	1900	24.82
12570	3000	1563	15.04	1603	16.15	1641	17.27	1679	18.39	1717	19.53	1754	20.69	1791	21.85	1828	23.04	1864	24.25	1934	26.72
13408	3200	1617	16.65	1654	17.82	1691	18.99	1727	20.18	1763	21.37	1799	22.57	1834	23.79	1869	25.02	1904	26.27	1972	28.81
14246	3400	1672	18.39	1707	19.61	1742	20.85	1777	22.09	1812	23.35	1846	24.61	1880	25.88	1913	27.16	1947	28.46	2012	31.08
15084	3600	1730	20.27	1763	21.55	1797	22.85	1830	24.16	1863	25.47	1896	26.79	1928	28.12	1960	29.46	1992	30.81	2056	33.53
15922	3800	1789	22.30	1821	23.64	1853	25.00	1885	26.37	1916	27.74	1948	29.12	1979	30.51	2010	31.91	2041	33.32	2101	36.15
16760	4000	1851	24.50	1881	25.90	1912	27.31	1942	28.73	1972	30.17	2002	31.61	2032	33.06	2062	34.52	2091	35.99	2150	38.94
17598	4200	1914	26.87	1943	28.32	1972	29.79	2000	31.27	2029	32.76	2058	34.27	2087	35.78	2115	37.30	2144	38.83	2200	41.90
18436	4400	1978	29.42	2006	30.93	2033	32.45	2061	33.99	2088	35.54	2116	37.10	2143	38.67	2171	40.25	2198	41.84	2252	45.03
VOL CFM	VEL FPM	11 SP		12 SP		13 SP		14 SP		15 SP		16 SP		17 SP		18 SP		19 SP		20 SP	
		RPM	BHP	RPM	BHP	RPM	BHP	RPM	BHP	RPM	BHP	RPM	BHP	RPM	BHP	RPM	BHP	RPM	BHP	RPM	BHP
9218	2200	1904	22.71	1982	25.19	2059	27.71	2133	30.27	2207	32.85	—	—	—	—	—	—	—	—	—	—
10056	2400	1921	24.08	1996	26.62	2070	29.25	2142	31.94	2213	34.68	2282	37.45	2350	40.25	—	—	—	—	—	—
10894	2600	1944	25.61	2017	28.19	2088	30.86	2157	33.62	2225	36.45	2292	39.34	2358	42.29	2423	45.27	2486	48.29	2549	51.33
11732	2800	1972	27.33	2042	29.94	2110	32.65	2177	35.44	2243	38.32	2308	41.28	2372	44.30	2434	47.39	2496	50.54	2557	53.72
12570	3000	2003	29.27	2071	31.91	2137	34.65	2202	37.47	2266	40.38	2328	43.37	2390	46.45	2451	49.59	2510	52.81	2569	56.09
13408	3200	2038	31.42	2104	34.10	2168	36.87	2231	39.73	2292	42.67	2353	45.69	2410	48.80	2472	51.98	2530	55.24	2587	58.57
14246	3400	2077	33.76	2140	36.51	2202	39.33	2263	42.23	2322	45.20	2381	48.26	2439	51.39	2497	54.60	2553	57.89	2609	61.25
15084	3600	2118	36.30	2179	39.13	2239	42.01	2298	44.96	2356	47.98	2413	51.08	2469	54.24	2525	57.49	2580	60.80	2634	64.20
15922	3800	2161	39.02	2220	41.94	2278	44.91	2336	47.93	2392	51.01	2448	54.15	2502	57.36	2556	60.64	2610	64.00	2662	67.42
16760	4000	2207	41.92	2264	44.94	2321	48.00	2376	51.11	2431	54.26	2485	57.47	2538	60.74	2591	64.07	2642	67.47	2694	70.93
17598	4200	2256	45.00	2311	48.13	2365	51.29	2419	54.49	2472	57.74	2524	61.03	2576	64.37	2627	67.76	2678	71.21	2728	74.72
18436	4400	2306	48.26	2359	51.50	2412	54.78	2464	58.09	2516	61.43	2566	64.81	2617	68.23	2666	71.70	2716	75.22	2764	78.79
19274	4600	2358	51.69	2410	55.06	2461	58.46	2511	61.88	2561	65.33	2611	68.81	2659	72.32	2708	75.88	2756	79.48	2803	83.12
20112	4800	2412	55.32	2462	58.81	2511	62.33	2560	65.87	2609	69.43	2657	73.02	2704	76.64	2751	80.30	2798	83.98	2844	87.71
20950	5000	2468	59.15	2516	62.76	2564	66.40	2611	70.06	2658	73.74	2704	77.45	2751	81.18	2796	84.94	2842	88.73	2887	92.55
21788	5200	2525	63.18	2571	66.92	2618	70.68	2663	74.46	2709	78.26	2754	82.09	2799	85.94	2844	89.81	2888	93.71	2932	97.63
22626	5400	2584	67.44	2628	71.29	2673	75.17	2717	79.07	2761	83.00	2805	86.95	2849	90.92	2892	94.91	2935	98.92	2978	102.96

BHP does not include drive losses.

Performance shown is for Power Fixed Blowers with outlet duct.

Data in bold face indicates quietest and most efficient performance.

Class I Blowers Class III Blowers
 Class II Blowers Class IV Blowers

PEERLESS ELECTRIC "POWER FIXED" PERFORMANCE TABLES

BC300SW

TIP SPEED (FPM) = 7.854 x RPM

OUTLET (5.17 Sq. Ft. Inside)
32 1/4" x 23 3/8" Outside

MAX. HP = 6.67 $\left(\frac{\text{RPM}}{1000}\right)^3$

WHEEL DIAMETER = 30"

INLET (5.469 Sq. Ft. Inside)
32 1/4" Dia. Outside

MAX. RPM
CL.1 1262
CL.2 1645
CL.3 2073

VOL CFM	VEL FPM	.5 SP		.75 SP		1 SP		1.50 SP		2 SP		2.5 SP		3 SP		3.5 SP		4 SP		4.5 SP	
		RPM	BHP	RPM	BHP	RPM	BHP	RPM	BHP	RPM	BHP	RPM	BHP	RPM	BHP	RPM	BHP	RPM	BHP	RPM	BHP
3102	600	379	0.33	449	0.51	514	0.72	—	—	—	—	—	—	—	—	—	—	—	—	—	—
4136	800	413	0.46	473	0.66	529	0.88	632	1.40	—	—	—	—	—	—	—	—	—	—	—	—
5170	1000	457	0.64	509	0.87	559	1.11	651	1.65	735	2.27	814	2.95	889	3.67	—	—	—	—	—	—
6204	1200	509	0.87	554	1.13	598	1.41	680	1.99	757	2.63	830	3.34	898	4.11	964	4.93	1027	5.78	—	—
7238	1400	565	1.16	604	1.46	643	1.78	718	2.42	788	3.10	855	3.83	919	4.62	980	5.47	1039	6.37	1095	7.31
8272	1600	625	1.53	659	1.87	694	2.21	761	2.93	825	3.67	887	4.45	947	5.26	1004	6.13	1059	7.05	1112	8.02
9306	1800	686	1.99	718	2.36	748	2.74	809	3.53	868	4.34	925	5.17	980	6.04	1034	6.94	1086	7.88	1136	8.87
10340	2000	749	2.53	778	2.94	805	3.36	860	4.21	914	5.10	967	6.01	1019	6.94	1069	7.89	1118	8.87	1166	9.89
11374	2200	812	3.18	839	3.63	865	4.08	915	5.01	965	5.97	1014	6.95	1062	7.95	1109	8.96	1155	10.00	1200	11.06
12408	2400	876	3.94	902	4.44	926	4.93	972	5.92	1018	6.95	1063	8.00	1108	9.08	1152	10.16	1195	11.27	1238	12.39
13442	2600	940	4.83	965	5.36	988	5.90	1031	6.96	1073	8.05	1115	9.18	1157	10.33	1199	11.49	1239	12.67	1280	13.86
14476	2800	1005	5.86	1028	6.42	1050	7.00	1091	8.14	1131	9.30	1170	10.49	1209	11.71	1248	12.95	1286	14.20	1324	15.47
15510	3000	1071	7.03	1092	7.62	1113	8.24	1153	9.47	1190	10.70	1226	11.96	1263	13.24	1299	14.55	1336	15.88	1371	17.22
16544	3200	1137	8.37	1157	8.98	1177	9.63	1215	10.95	1250	12.26	1285	13.58	1319	14.94	1353	16.31	1387	17.71	1421	19.13
VOL CFM	VEL FPM	5 SP		5.5 SP		6 SP		6.5 SP		7 SP		7.5 SP		8 SP		8.5 SP		9 SP		10 SP	
		RPM	BHP	RPM	BHP	RPM	BHP	RPM	BHP	RPM	BHP	RPM	BHP	RPM	BHP	RPM	BHP	RPM	BHP	RPM	BHP
8272	1600	1164	9.04	1215	10.10	1264	11.19	1312	12.31	1359	13.45	1405	14.60	—	—	—	—	—	—	—	—
9306	1800	1185	9.91	1233	10.99	1280	12.11	1325	13.27	1370	14.47	1414	15.70	1457	16.95	1499	18.22	1541	19.51	1622	22.10
10340	2000	1212	10.95	1257	12.04	1302	13.19	1345	14.37	1388	15.59	1429	16.85	1470	18.14	1511	19.47	1550	20.82	1628	23.60
11374	2200	1244	12.16	1287	13.29	1329	14.45	1371	15.65	1411	16.89	1451	18.17	1490	19.48	1529	20.83	1567	22.21	1641	25.07
12408	2400	1280	13.54	1321	14.71	1361	15.91	1400	17.14	1439	18.40	1477	19.70	1515	21.03	1552	22.40	1588	23.80	1660	26.70
13442	2600	1319	15.07	1358	16.29	1396	17.54	1434	18.81	1471	20.11	1508	21.44	1544	22.80	1579	24.19	1614	25.61	1683	28.55
14476	2800	1362	16.75	1399	18.04	1435	19.35	1471	20.67	1507	22.02	1542	23.39	1576	24.79	1610	26.21	1644	27.66	1710	30.64
15510	3000	1407	18.57	1442	19.94	1477	21.32	1511	22.71	1545	24.11	1579	25.54	1612	26.98	1645	28.45	1677	29.93	1741	32.98
16544	3200	1455	20.56	1488	22.00	1521	23.45	1554	24.91	1587	26.38	1619	27.87	1651	29.37	1682	30.89	1713	32.43	1775	35.56
17578	3400	1505	22.70	1537	24.22	1568	25.74	1600	27.28	1631	28.82	1661	30.38	1692	31.95	1722	33.53	1752	35.13	1811	38.37
18612	3600	1557	25.02	1587	26.61	1617	28.21	1647	29.82	1677	31.44	1706	33.08	1735	34.72	1764	36.37	1793	38.03	1850	41.40
19646	3800	1611	27.53	1639	29.19	1668	30.86	1696	32.55	1725	34.25	1753	35.95	1781	37.67	1809	39.40	1837	41.13	1891	44.63
20680	4000	1666	30.24	1693	31.97	1720	33.71	1748	35.47	1775	37.25	1802	39.03	1829	40.82	1855	42.62	1882	44.43	1935	48.07
21714	4200	1722	33.17	1748	34.96	1774	36.78	1800	38.61	1826	40.45	1852	42.31	1878	44.17	1904	46.05	1929	47.93	1980	51.73
22748	4400	1780	36.32	1805	38.18	1830	40.06	1855	41.96	1880	43.87	1904	45.80	1929	47.74	1954	49.69	1978	51.65	2027	55.60
VOL CFM	VEL FPM	11 SP		12 SP		13 SP		14 SP		15 SP		16 SP		17 SP		18 SP		19 SP		20 SP	
		RPM	BHP	RPM	BHP	RPM	BHP	RPM	BHP	RPM	BHP	RPM	BHP	RPM	BHP	RPM	BHP	RPM	BHP	RPM	BHP
11374	2200	1713	28.04	1784	31.10	1853	34.21	1920	37.37	1986	40.55	—	—	—	—	—	—	—	—	—	—
12408	2400	1729	29.73	1797	32.87	1863	36.11	1928	39.43	1992	42.81	2054	46.24	2115	49.70	—	—	—	—	—	—
13442	2600	1750	31.61	1815	34.80	1879	38.10	1941	41.50	2003	45.00	2063	48.57	2122	52.21	2180	55.89	2238	59.62	2294	63.37
14476	2800	1775	33.74	1838	36.97	1899	40.30	1960	43.75	2019	47.31	2077	50.96	2134	54.70	2191	58.51	2246	62.39	2301	66.33
15510	3000	1803	36.14	1864	39.40	1923	42.77	1982	46.26	2039	49.85	2096	53.55	2151	57.34	2206	61.23	2259	65.20	2312	69.24
16544	3200	1834	38.79	1893	42.10	1951	45.52	2008	49.05	2063	52.68	2118	56.41	2172	60.24	2225	64.17	2277	68.19	2328	72.31
17578	3400	1869	41.68	1926	45.08	1981	48.56	2036	52.13	2090	55.81	2143	59.58	2195	63.44	2247	67.41	2298	71.47	2348	75.62
18612	3600	1906	44.82	1961	48.31	2015	51.87	2068	55.51	2120	59.24	2172	63.06	2222	66.97	2272	70.97	2322	75.07	2370	79.25
19646	3800	1945	48.18	1998	51.78	2051	55.44	2102	59.17	2153	62.97	2203	66.85	2252	70.82	2301	74.87	2349	79.01	2396	83.23
20680	4000	1987	51.76	2038	55.49	2089	59.26	2139	63.09	2188	66.99	2236	70.95	2284	74.99	2332	79.10	2378	83.29	2424	87.56
21714	4200	2030	55.56	2080	59.42	2129	63.33	2177	67.28	2225	71.28	2272	75.34	2319	79.46	2365	83.65	2410	87.91	2455	92.24
22748	4400	2075	59.58	2123	63.58	2171	67.63	2218	71.71	2264	75.84	2310	80.01	2355	84.23	2400	88.52	2444	92.86	2488	97.27
23782	4600	2122	63.82	2169	67.98	2215	72.17	2260	76.39	2305	80.65	2349	84.95	2393	89.29	2437	93.68	2480	98.12	2523	102.62
24816	4800	2171	68.30	2216	72.61	2260	76.95	2304	81.32	2348	85.72	2391	90.15	2434	94.62	2476	99.13	2518	103.68	2560	108.29
25850	5000	2221	73.02	2264	77.48	2307	81.97	2350	86.49	2392	91.04	2434	95.62	2476	100.22	2517	104.86	2558	109.54	2598	114.26
26884	5200	2273	78.01	2314	82.61	2356	87.26	2397	91.93	2438	96.62	2479	101.35	2519	106.10	2559	110.88	2599	115.69	2638	120.54
27918	5400	2325	83.26	2365	88.01	2406	92.80	2446	97.62	2485	102.47	2525	107.34	2564	112.24	2603	117.17	2642	122.12	2680	127.11

BHP does not include drive losses.

Performance shown is for Power Fixed Blowers with outlet duct.

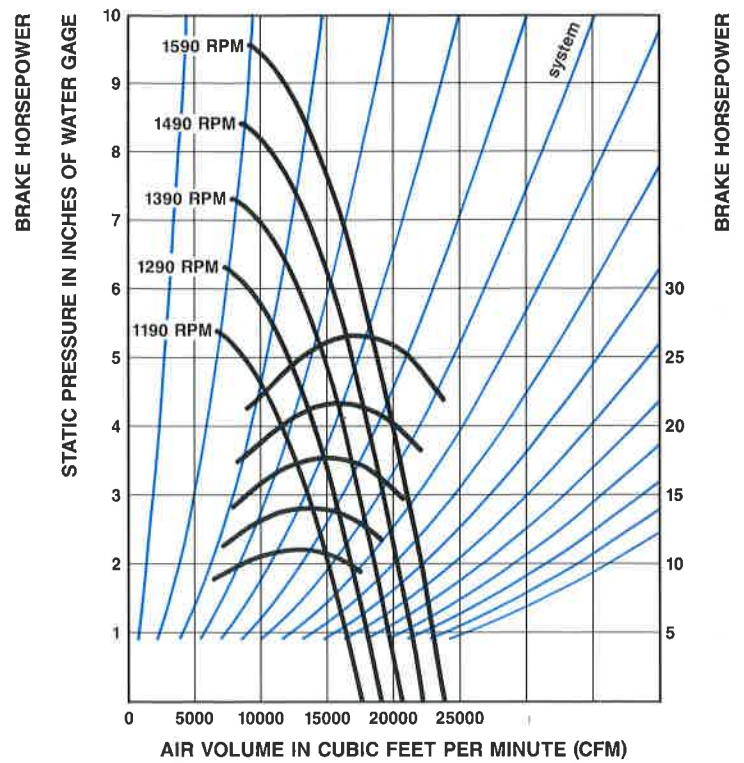
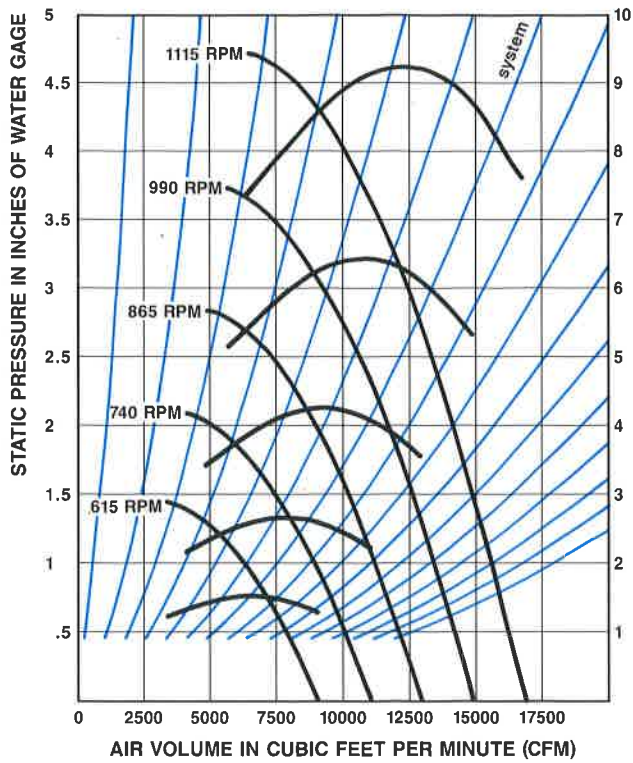
Data in bold face indicates quietest and most efficient performance.

Class I Blowers

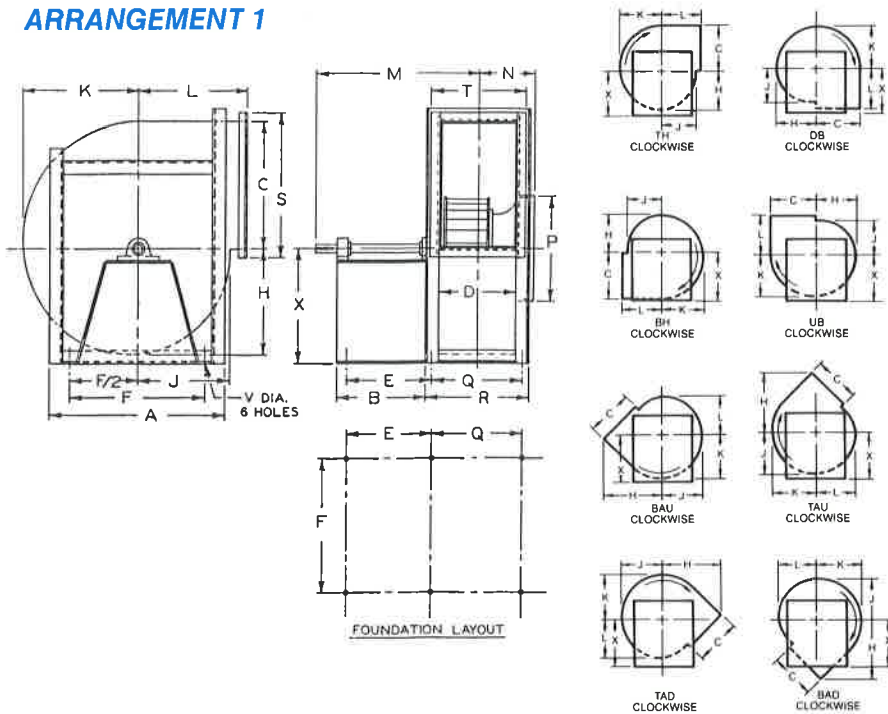
Class II Blowers

Class III Blowers

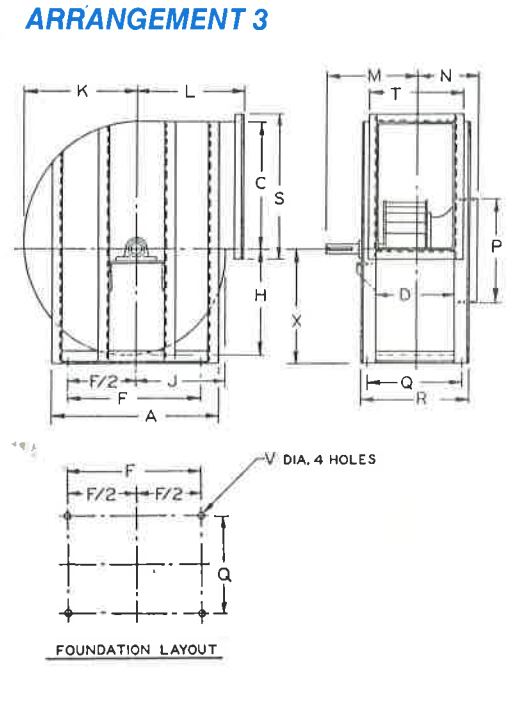
Class IV Blowers



ARRANGEMENT 1



ARRANGEMENT 3



ARRANGEMENT 1 & 3—SWSI—CLASS I & II

Model No.	Whl. Dia.	Shaft Ext. Dia.	Keyway	Shaft Ext. Dia.	Keyway	TH, DB, BH, UB Straight Disch.																BAU, TAU, TAD, BAD, Angular Disch.				Class I	Class II	M	N	P	Q	R	S	T	U	V	W	Approx. Weight Lbs.			
						A	B	C	D	E	F	H	J	K	L	H	J	K	L	X	X	X	X	Class I	Class II																
BC300SW	30	1 1/16	3/8 x 3/16 x 5	1 5/16	1/2 x 1/4 x 5	4 1/4	23	32 1/4	23 3/8	23 3/4	31 1/4	24 3/8	20 1/2	28 1/4	23 3/4	39 3/8	26 3/8	30 1/2	22 1/4	42 3/8	42 3/8	13 3/4	32 1/4	25 3/8	27 3/8	36 1/4	27 3/8	—	7 1/2	—	26 1/8	23 3/4	35 1/4	29 3/8	32	27 3/8	23 3/4	27 3/8	930	1020	
BC300SW	30	1 1/16	3/8 x 3/16 x 6	1 1/16	3/8 x 3/16 x 6	4 1/4	—	32 1/4	23 3/8	—	31 1/4	24 3/8	20 1/2	28 1/4	23 3/4	39 3/8	26 3/8	30 1/2	22 1/4	21 1/4	22	16 3/8	32 1/4	25 3/8	27 3/8	36 1/4	27 3/8	—	7 1/2	—	26 1/8	23 3/4	35 1/4	29 3/8	32	27 3/8	23 3/4	27 3/8	705	780	

Arrangement 1 Dimensions—Refer to Line 1
Arrangement 3 Dimensions—Refer to Line 2

PEERLESS ELECTRIC "POWER FIXED" PERFORMANCE TABLES

BC330SW

TIP SPEED (FPM) = 8.639 x RPM

OUTLET (6.26 Sq. Ft. Inside)
35³/₈" x 27⁷/₈" Outside

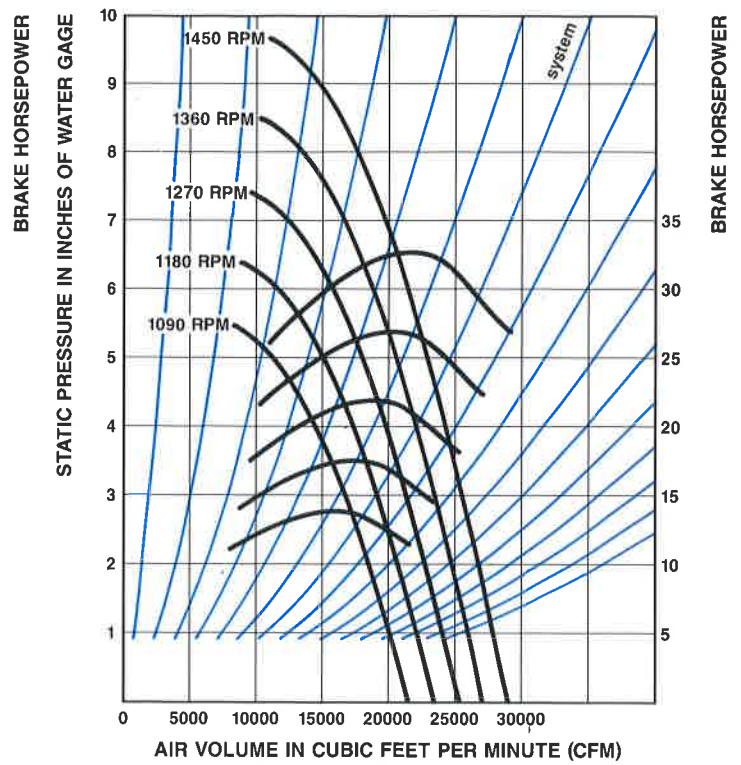
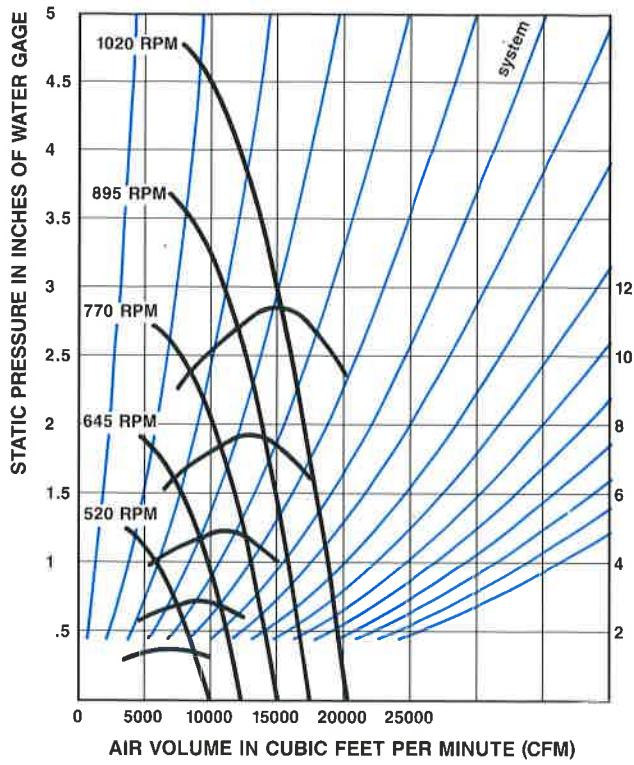
MAX. HP = 10.75 (RPM)³
1000

WHEEL DIAMETER = 33"

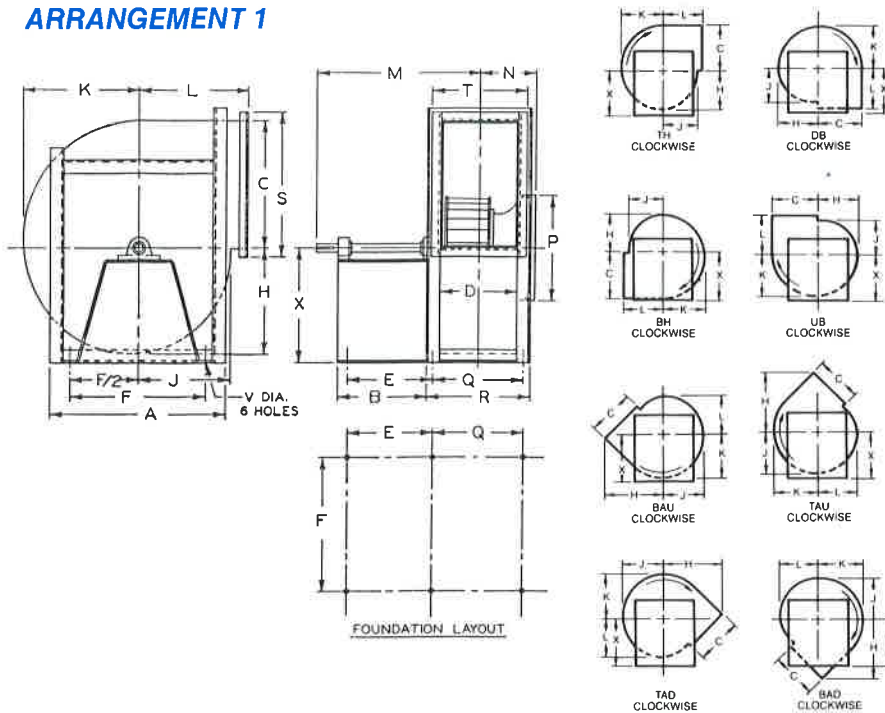
INLET (6.618 Sq. Ft. Inside)
35³/₈" Dia. Outside

MAX. RPM
CL.1 1147
CL.2 1495
CL.3 1884

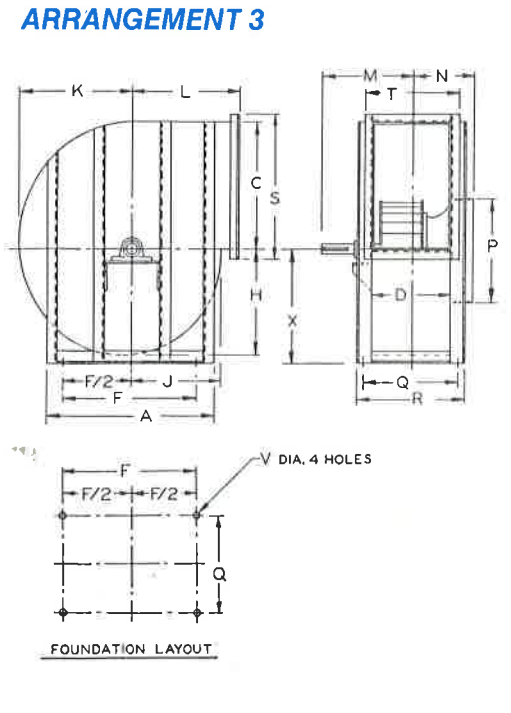
VOL CFM	VEL FPM	.5 SP		.75 SP		1 SP		1.50 SP		2 SP		2.5 SP		3 SP		3.5 SP		4 SP		4.5 SP	
		RPM	BHP	RPM	BHP	RPM	BHP	RPM	BHP	RPM	BHP	RPM	BHP	RPM	BHP	RPM	BHP	RPM	BHP	RPM	BHP
3756	600	344	0.40	408	0.62	467	0.87	—	—	—	—	—	—	—	—	—	—	—	—	—	—
5008	800	375	0.56	430	0.80	481	1.07	574	1.69	659	2.38	—	—	—	—	—	—	—	—	—	—
6260	1000	416	0.77	463	1.05	508	1.34	592	1.99	668	2.74	740	3.57	808	4.43	—	—	—	—	—	—
7512	1200	463	1.05	504	1.37	543	1.70	619	2.41	689	3.18	754	4.04	817	4.97	876	5.96	934	6.99	—	—
8764	1400	514	1.41	550	1.77	585	2.15	652	2.93	717	3.75	777	4.63	835	5.59	891	6.62	944	7.71	996	8.85
10016	1600	568	1.85	600	2.26	631	2.68	692	3.55	750	4.44	807	5.38	861	6.37	913	7.42	963	8.53	1011	9.71
11268	1800	624	2.40	652	2.85	680	3.31	735	4.27	789	5.25	841	6.26	891	7.31	940	8.40	987	9.54	1033	10.73
12520	2000	681	3.06	707	3.56	732	4.06	782	5.10	831	6.17	879	7.27	926	8.39	972	9.54	1016	10.73	1060	11.96
13772	2200	738	3.85	763	4.40	786	4.94	832	6.06	877	7.22	921	8.41	965	9.62	1008	10.85	1050	12.10	1091	13.39
15024	2400	796	4.77	820	5.37	842	5.96	884	7.16	925	8.41	966	9.68	1007	10.98	1047	12.30	1087	13.64	1125	14.99
16276	2600	855	5.84	877	6.49	898	7.13	937	8.42	976	9.75	1014	11.11	1052	12.50	1090	13.90	1127	15.33	1163	16.77
17528	2800	914	7.09	935	7.77	955	8.46	992	9.85	1028	11.26	1064	12.70	1099	14.17	1134	15.67	1169	17.19	1204	18.72
18780	3000	974	8.51	993	9.22	1012	9.97	1048	11.46	1082	12.95	1115	14.47	1148	16.02	1181	17.61	1214	19.21	1247	20.84
20032	3200	1033	10.13	1052	10.87	1070	11.66	1104	13.25	1136	14.84	1168	16.44	1199	18.07	1230	19.74	1261	21.43	1292	23.14
VOL CFM	VEL FPM	5 SP		5.5 SP		6 SP		6.5 SP		7 SP		7.5 SP		8 SP		8.5 SP		9 SP		10 SP	
		RPM	BHP	RPM	BHP	RPM	BHP	RPM	BHP	RPM	BHP	RPM	BHP	RPM	BHP	RPM	BHP	RPM	BHP	RPM	BHP
10016	1600	1058	10.94	1104	12.22	1149	13.54	1193	14.89	1235	16.27	1277	17.66	—	—	—	—	—	—	—	—
11268	1800	1077	11.99	1121	13.29	1163	14.65	1205	16.06	1245	17.51	1285	18.99	1324	20.51	1363	22.05	1400	23.60	1474	26.75
12520	2000	1102	13.24	1143	14.57	1183	15.95	1223	17.38	1262	18.86	1299	20.39	1337	21.95	1373	23.55	1409	25.19	1480	28.55
13772	2200	1131	14.71	1170	16.08	1208	17.48	1246	18.94	1283	20.44	1319	21.98	1355	23.57	1390	25.21	1424	26.88	1492	30.34
15024	2400	1163	16.38	1201	17.79	1237	19.25	1273	20.73	1308	22.26	1343	23.83	1377	25.44	1411	27.10	1444	28.79	1509	32.31
16276	2600	1199	18.23	1235	19.71	1270	21.22	1304	22.76	1338	24.34	1371	25.94	1404	27.59	1436	29.27	1468	30.99	1530	34.54
17528	2800	1238	20.26	1272	21.83	1305	23.41	1338	25.02	1370	26.65	1402	28.30	1433	29.99	1464	31.71	1495	33.46	1555	37.07
18780	3000	1279	22.47	1311	24.13	1343	25.79	1374	27.47	1405	29.18	1435	30.90	1466	32.65	1495	34.42	1525	36.22	1583	39.91
20032	3200	1323	24.87	1353	26.61	1383	28.37	1413	30.14	1443	31.92	1472	33.72	1501	36.54	1529	37.38	1558	39.24	1613	43.03
21284	3400	1368	27.47	1397	29.30	1426	31.15	1454	33.01	1482	34.88	1510	36.76	1538	38.66	1566	40.58	1593	42.51	1646	46.43
22536	3600	1415	30.27	1443	32.20	1470	34.13	1497	36.08	1524	38.05	1551	40.02	1578	42.01	1604	44.01	1630	46.02	1682	50.09
23788	3800	1464	33.31	1490	35.32	1516	37.35	1542	39.39	1568	41.44	1594	43.51	1619	45.58	1644	47.67	1670	49.77	1719	54.00
25040	4000	1514	36.59	1539	38.61	1564	40.79	1589	42.92	1613	45.07	1638	47.22	1662	49.39	1687	51.57	1711	53.76	1759	58.17
26292	4200	1566	40.13	1589	42.31	1613	44.50	1637	46.71	1660	48.94	1684	51.19	1707	53.45	1731	55.72	1754	58.00	1800	62.59
27544	4400	1618	43.95	1641	46.20	1664	48.48	1686	50.77	1709	53.09	1731	55.42	1754	57.77	1776	60.13	1798	62.50	1843	67.27
VOL CFM	VEL FPM	11 SP		12 SP		13 SP		14 SP		15 SP		16 SP		17 SP		18 SP		19 SP		20 SP	
		RPM	BHP	RPM	BHP	RPM	BHP	RPM	BHP	RPM	BHP	RPM	BHP	RPM	BHP	RPM	BHP	RPM	BHP	RPM	BHP
13772	2200	1558	33.93	1622	37.63	1684	41.40	1746	45.22	1806	49.07	—	—	—	—	—	—	—	—	—	—
15024	2400	1572	35.97	1633	39.77	1694	43.69	1753	47.71	1810	51.80	1867	55.95	1923	60.13	—	—	—	—	—	—
16276	2600	1591	38.25	1650	42.11	1708	46.10	1765	50.22	1821	54.45	1875	58.77	1929	63.17	1982	67.63	2034	72.14	2086	76.67
17528	2800	1613	40.83	1670	44.73	1727	48.77	1781	52.94	1835	57.24	1888	61.66	1940	66.18	1992	70.80	2042	75.49	2092	80.25
18780	3000	1639	43.72	1694	47.67	1748	51.75	1802	55.97	1854	60.32	1905	64.79	1955	69.38	2005	74.09	2054	78.89	2102	83.78
20032	3200	1668	46.93	1721	50.95	1774	55.08	1825	59.35	1876	63.74	1925	68.25	1974	72.89	2022	77.65	2070	82.52	2117	87.49
21284	3400	1699	50.44	1751	54.54	1801	58.76	1851	63.08	1900	67.53	1948	72.09	1996	76.77	2043	81.56	2089	86.48	2134	91.50
22536	3600	1733	54.23	1783	58.45	1832	62.76	1880	67.17	1927	71.68	1974	76.30	2020	81.03	2066	85.88	2111	90.83	2155	95.90
23788	3800	1768	58.30	1817	62.65	1864	67.08	1911	71.59	1957	76.20	2003	80.89	2047	85.69	2092	90.59	2135	95.60	2178	100.71
25040	4000	1806	62.63	1853	67.14	1899	71.71	1944	76.34	1989	81.06	2033	85.85	2077	90.74	2120	95.71	2162	100.78	2204	105.95
26292	4200	1846	67.22	1891	71.90	1935	76.62	1979	81.41	2023	86.25	2065	91.16	2108	96.15	2150	101.22	2191	106.37	2232	111.62
27544	4400	1887	72.09	1930	76.94	1973	81.83	2016	86.77	2058	91.76	2100	96.81	2141	101.92	2182	107.10	2222	112.36	2262	117.69
28796	4600	1930	77.22	1972	82.25	2013	87.32	2055	92.43	2095	97.59	2136	102.79	2176	108.04	2215	113.35	2255	118.73	2293	124.17
30048	4800	1974	82.64	2014	87.86	2055	93.11	2095	98.39	2134	103.72	2174	109.08	2212	114.49	2251	119.95	2289</			



ARRANGEMENT 1



ARRANGEMENT 3



ARRANGEMENT 1 & 3—SWSI—CLASS I & II

Model No.	Whl. Dia.	Shaft Ext. Dia.		Keyway		TH, DB, BH, UB Straighl Disch.										BAU, TAU, TAD, BAD, Angular Disch.		Class I	Class II	TH DB BH UB BAU TAU TAD BAD										Approx. Weight Lbs. Class I	Approx. Weight Lbs. Class II									
		Class I	Class II	A	B	C	D	E	F	H	J	K	L	H	J	K	L			M	M	N	P	Q	R	S	T	U	V			W								
BC330SW	33	1 1/16	3/8 x 3/16 x 5	1 1/16	1/2 x 1/4 x 5	45%	23	35%	25%	23	34%	27%	22 1/2	30%	25%	43	28%	33 1/2	24%	44%	44%	15	35%	28%	30%	40%	30%	—	7/8	—	29%	25%	38%	32%	35 1/2	30%	26%	30%	1040	1140
BC330SW	33	1 1/16	3/8 x 3/16 x 6	1 1/16	3/8 x 3/16 x 6	45%	—	35%	25%	—	34%	27%	22 1/2	30%	25%	43	28%	33 1/2	24%	22 1/2	23%	18%	35%	28%	30%	40%	30%	—	7/8	—	29%	25%	38%	32%	35 1/2	30%	26%	30%	880	880

Arrangement 1 Dimensions—Refer to Line 1
 Arrangement 3 Dimensions—Refer to Line 2

PEERLESS ELECTRIC "POWER FIXED" PERFORMANCE TABLES

BC365SW

TIP SPEED (FPM) = 9.566 x RPM

OUTLET (7.66 Sq. Ft. Inside)
39 1/4" x 28 1/2" Outside

MAX. HP = 21.17 $\left(\frac{\text{RPM}}{1000}\right)^3$

WHEEL DIAMETER = 36 1/2"

INLET (8.11 Sq. Ft. Inside)
39" Dia. Outside

MAX. RPM
CL.1 995
CL.2 1297
CL.3 1634

Minimum horsepower required to start fan—1 HP

VOL CFM	VEL FPM	.5 SP		.75 SP		1 SP		1.50 SP		2 SP		2.5 SP		3 SP		3.5 SP		4 SP		4.5 SP	
		RPM	BHP	RPM	BHP	RPM	BHP	RPM	BHP	RPM	BHP	RPM	BHP	RPM	BHP	RPM	BHP	RPM	BHP	RPM	BHP
4596	600	304	0.48	367	0.76	—	—	—	—	—	—	—	—	—	—	—	—	—	—	—	—
6128	800	323	0.65	377	0.96	427	1.30	—	—	—	—	—	—	—	—	—	—	—	—	—	—
7660	1000	350	0.88	398	1.23	442	1.60	524	2.43	599	3.36	—	—	—	—	—	—	—	—	—	—
9192	1200	383	1.18	425	1.57	465	1.98	539	2.88	607	3.87	672	4.94	733	6.09	—	—	—	—	—	—
10724	1400	419	1.56	457	1.99	493	2.45	560	3.43	624	4.49	683	5.62	740	6.83	794	8.10	847	9.45	—	—
12256	1600	460	2.05	492	2.52	524	3.02	587	4.08	645	5.21	701	6.42	754	7.69	804	9.02	853	10.42	901	11.88
13788	1800	502	2.64	530	3.16	559	3.70	616	4.84	671	6.06	723	7.34	772	8.68	820	10.09	866	11.55	911	13.06
15320	2000	547	3.37	571	3.92	597	4.51	649	5.74	700	7.04	748	8.40	795	9.81	840	11.29	884	12.82	926	14.41
16852	2200	593	4.24	614	4.83	637	5.46	684	6.77	731	8.16	777	9.60	821	11.10	864	12.65	905	14.26	945	15.91
18384	2400	639	5.27	659	5.90	679	6.56	722	7.96	765	9.43	808	10.96	849	12.54	890	14.17	929	15.86	968	17.59
19916	2600	686	6.47	704	7.14	722	7.84	761	9.32	801	10.88	841	12.49	880	14.16	919	15.87	956	17.64	993	19.45
21448	2800	734	7.86	750	8.57	767	9.31	802	10.86	839	12.50	876	14.21	913	15.96	949	17.76	985	19.60	1020	21.49
22980	3000	782	9.44	797	10.20	812	10.98	845	12.60	878	14.33	913	16.11	948	17.96	982	19.84	1016	21.77	1049	23.75
24512	3200	831	11.24	844	12.05	859	12.87	888	14.56	919	16.36	952	18.23	984	20.16	1017	22.14	1049	24.16	1081	26.21
VOL CFM	VEL FPM	5 SP		5.5 SP		6 SP		6.5 SP		7 SP		7.5 SP		8 SP		8.5 SP		9 SP		10 SP	
		RPM	BHP	RPM	BHP	RPM	BHP	RPM	BHP	RPM	BHP	RPM	BHP	RPM	BHP	RPM	BHP	RPM	BHP	RPM	BHP
13788	1800	955	14.64	997	16.26	1039	17.94	1080	19.68	—	—	—	—	—	—	—	—	—	—	—	—
15320	2000	968	16.04	1008	17.73	1047	19.47	1086	21.25	1124	23.08	1161	24.97	1198	26.90	1235	28.88	—	—	—	—
16852	2200	985	17.62	1023	19.37	1061	21.17	1097	23.02	1134	24.91	1169	26.84	1204	28.82	1239	30.85	1273	32.92	1339	37.19
18384	2400	1005	19.37	1042	21.19	1078	23.06	1113	24.98	1148	26.93	1181	28.93	1215	30.97	1248	33.05	1280	35.17	1344	39.53
19916	2600	1029	21.30	1064	23.20	1098	25.14	1132	27.13	1165	29.15	1197	31.22	1229	33.32	1261	35.47	1292	37.65	1353	42.13
21448	2800	1054	23.43	1088	25.40	1121	27.42	1153	29.48	1185	31.58	1216	33.71	1247	35.89	1278	38.10	1308	40.35	1366	44.96
22980	3000	1082	25.76	1114	27.81	1146	29.91	1177	32.04	1208	34.22	1238	36.43	1268	38.68	1297	40.96	1326	43.28	1383	48.03
24512	3200	1112	28.31	1143	30.45	1173	32.62	1203	34.83	1233	37.08	1262	39.37	1290	41.69	1319	44.05	1347	46.44	1401	51.33
26044	3400	1143	31.09	1173	33.31	1202	35.56	1231	37.86	1259	40.19	1287	42.55	1315	44.95	1342	47.38	1369	49.85	1422	54.89
27576	3600	1176	34.11	1205	36.41	1233	38.75	1260	41.13	1288	43.54	1315	45.98	1342	48.46	1368	50.97	1394	53.52	1445	58.71
29108	3800	1211	37.38	1238	39.77	1265	42.20	1291	44.66	1318	47.15	1344	49.68	1370	52.24	1395	54.83	1420	57.45	1470	62.79
30640	4000	1246	40.91	1272	43.39	1298	45.91	1324	48.46	1349	51.03	1374	53.64	1399	56.29	1424	58.96	1448	61.66	1496	67.16
32172	4200	1283	44.73	1308	47.30	1333	49.90	1357	52.53	1382	55.20	1406	57.90	1430	60.62	1454	63.38	1478	66.16	1524	71.83
33704	4400	1321	48.84	1345	51.49	1369	54.18	1392	56.91	1416	59.66	1439	62.44	1462	65.26	1485	68.10	1508	70.97	1553	76.79
VOL CFM	VEL FPM	11 SP		12 SP		13 SP		14 SP		15 SP		16 SP		17 SP		18 SP		19 SP		20 SP	
		RPM	BHP	RPM	BHP	RPM	BHP	RPM	BHP	RPM	BHP	RPM	BHP	RPM	BHP	RPM	BHP	RPM	BHP	RPM	BHP
21448	2800	1424	49.71	1480	54.60	1535	59.63	1589	64.80	1642	70.11	1694	75.56	—	—	—	—	—	—	—	—
22980	3000	1438	52.91	1492	57.93	1545	63.08	1597	68.35	1648	73.76	1699	79.30	1748	84.97	1797	90.78	1846	96.71	—	—
24512	3200	1455	56.36	1507	61.51	1558	66.79	1609	72.19	1658	77.71	1707	83.36	1755	89.13	1802	95.03	1849	101.04	1895	107.18
26044	3400	1474	60.06	1525	65.35	1575	70.76	1623	76.30	1671	81.95	1718	87.72	1765	93.61	1811	99.61	1856	105.73	1901	111.96
27576	3600	1496	64.02	1545	69.46	1593	75.01	1640	80.69	1687	86.48	1733	92.38	1778	98.39	1822	104.52	1866	110.75	1910	117.09
29108	3800	1519	68.26	1567	73.84	1613	79.55	1659	85.36	1705	91.29	1749	97.33	1793	103.48	1836	109.74	1879	116.10	1921	122.56
30640	4000	1544	72.78	1590	78.52	1636	84.37	1680	90.33	1724	96.41	1768	102.59	1811	108.88	1853	115.27	1894	121.76	1935	128.36
32172	4200	1570	77.60	1615	83.49	1660	89.50	1703	95.61	1746	101.83	1788	108.16	1830	114.59	1871	121.12	1911	127.76	1951	134.49
33704	4400	1598	82.73	1642	88.78	1685	94.94	1727	101.21	1769	107.58	1810	114.06	1851	120.63	1891	127.31	1930	134.09	1970	140.96
35236	4600	1627	88.18	1670	94.39	1712	100.71	1753	107.13	1794	113.66	1834	120.28	1873	127.01	1913	133.84	1951	140.76	1989	147.77
36768	4800	1657	93.96	1699	100.34	1740	106.82	1780	113.40	1820	120.08	1859	126.86	1897	133.74	1936	140.71	1973	147.78	2011	154.94
38300	5000	1689	100.08	1729	106.63	1769	113.27	1808	120.01	1847	126.85	1885	133.79	1923	140.82	1960	147.95	1997	155.17	2033	162.48
39832	5200	1721	106.56	1760	113.27	1799	120.08	1837	126.99	1875	133.99	1912	141.09	1949	148.28	1986	155.56	2022	162.94	2057	170.40
41364	5400	1755	113.40	1793	120.28	1830	127.26	1868	134.34	1904	141.51	1941	148.77	1977	156.12	2012	163.56	2048	171.09	2082	178.71

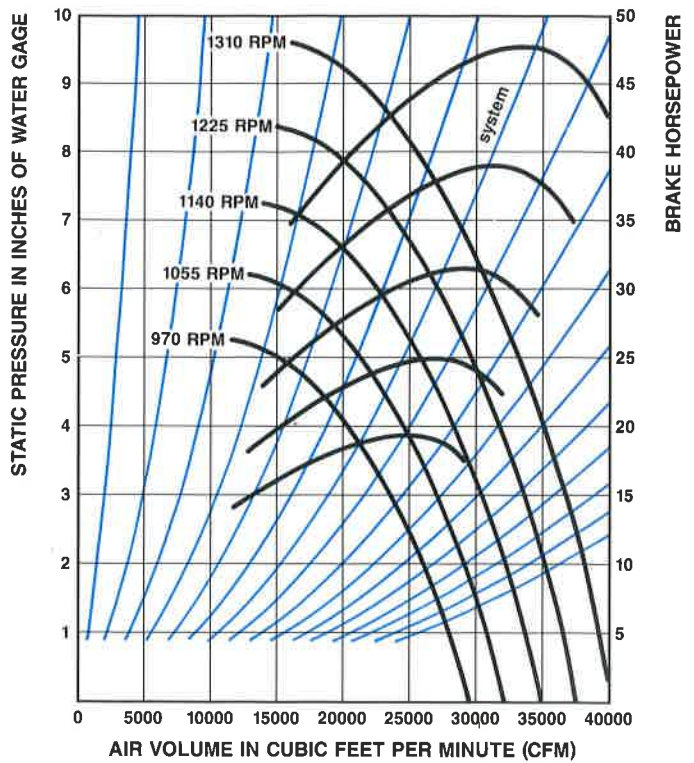
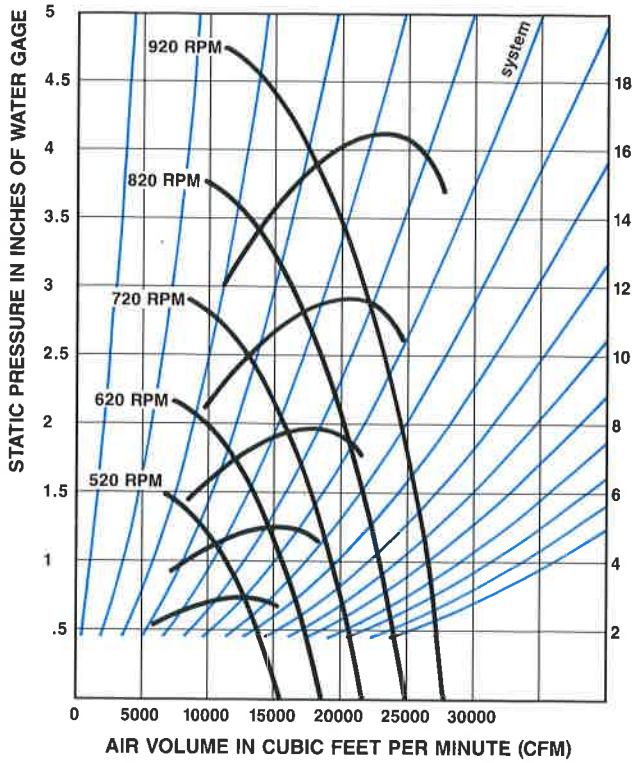
BHP does not include drive losses.

Performance shown is for Power Fixed Blowers with outlet duct.

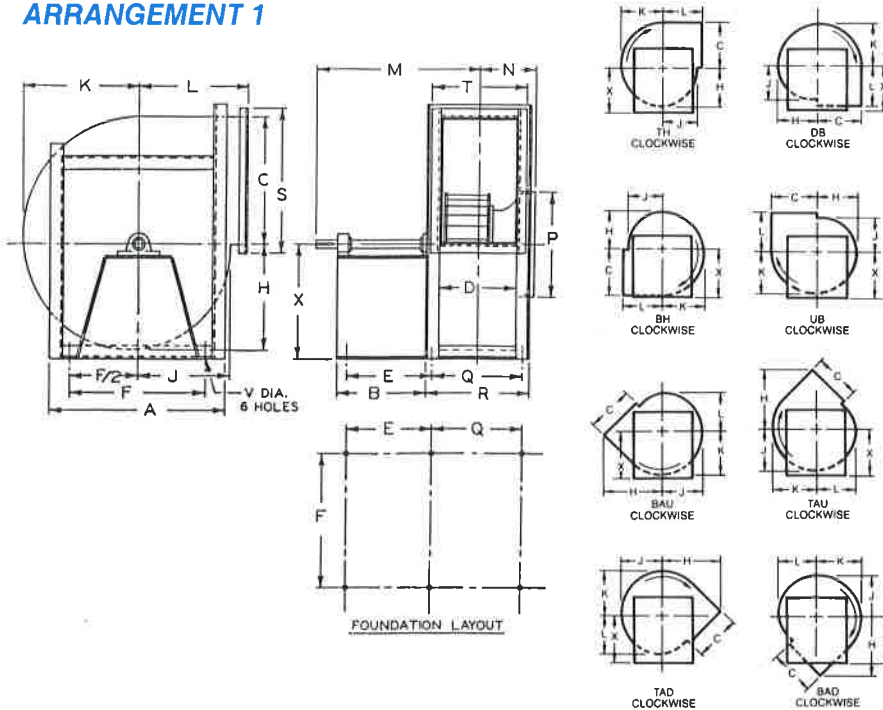
Data in bold face indicates quietest and most efficient performance.

Class I Blowers
Class II Blowers

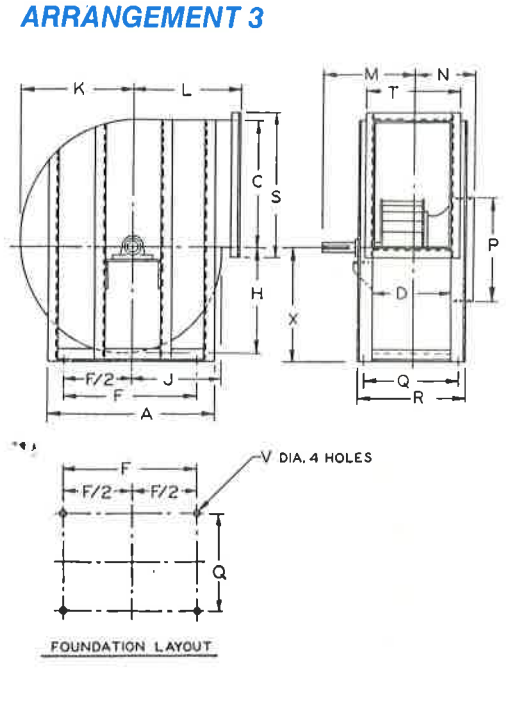
Class III Blowers
Class IV Blowers



ARRANGEMENT 1



ARRANGEMENT 3



ARRANGEMENT 1 & 3—SWSI—CLASS I & II

Model No.	Whl. Dia.	Shaft Ext. Dia.		Keyway		TH, DB, BH, UB Straight Disch.										BAU, TAU, TAD, BAD, Angular Disch.		Class I	Class II	TH DB BH UB BAU TAU TAD BAD										Approx. Weight Lbs. Class I	Approx. Weight Lbs. Class II									
		Class I	Class II	A	B	C	D	E	F	H	J	K	L	H	J	K	L			M	M	N	P	Q	R	S	T	U	V			W								
BC365SW	36 1/2	1 5/16	1 1/2 x 1/4 x 5	2 3/16	1/2 x 1/4 x 5	49 1/2	23	39 1/4	28 1/2	23	38 1/2	30	24 1/8	34 1/8	28 1/8	47 3/8	32	37 1/8	27	45 3/4	45 3/4	16 1/4	39	31 1/4	33 1/2	44 1/4	33 1/2	—	7 1/2	—	32	28 1/4	42 3/4	36 1/8	39 1/8	34	29	34	1260	1380
BC365SSW	36 1/2	1 5/16	1 1/2 x 1/4 x 6	1 5/16	1/2 x 1/4 x 6	49 1/2	—	39 1/4	28 1/2	—	38 1/2	30	24 1/8	34 1/8	28 1/8	47 3/8	32	37 1/8	27	24 1/8	24 1/8	19 1/4	39	31 1/4	33 1/2	44 1/4	33 1/2	—	7 1/2	—	32	28 1/4	42 3/4	36 1/8	39 1/8	34	29	34	965	1060

Arrangement 1 Dimensions—Refer to Line 1
 Arrangement 3 Dimensions—Refer to Line 2

PEERLESS ELECTRIC "POWER FIXED" PERFORMANCE TABLES

BC402SW

TIP SPEED (FPM) = 10.54 x RPM

OUTLET (9.31 Sq. Ft. Inside)
43 1/4" x 31 5/8" Outside

MAX. HP = 34.52 (RPM)³
1000

WHEEL DIAMETER = 40 1/4"

INLET (9.85 Sq. Ft. Inside)
43" Dia. Outside

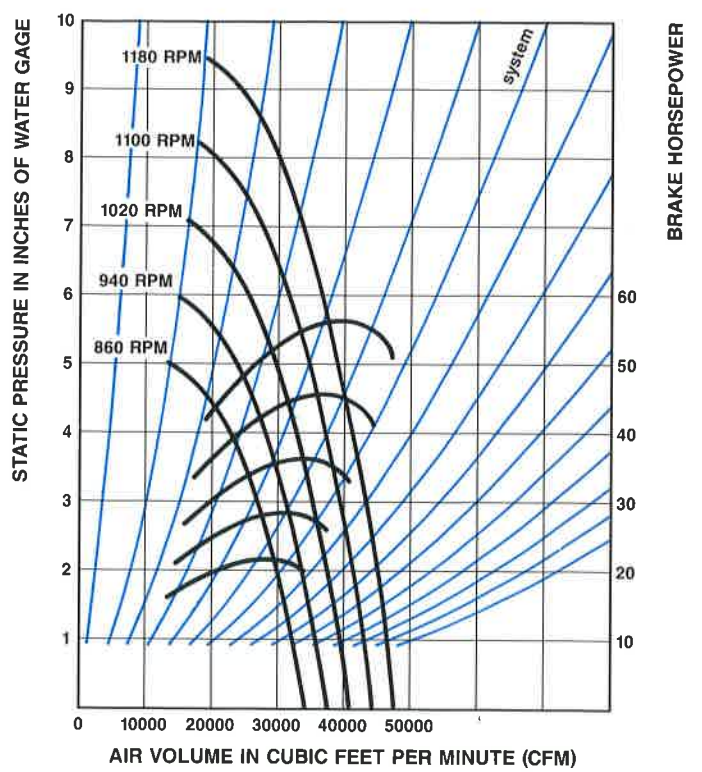
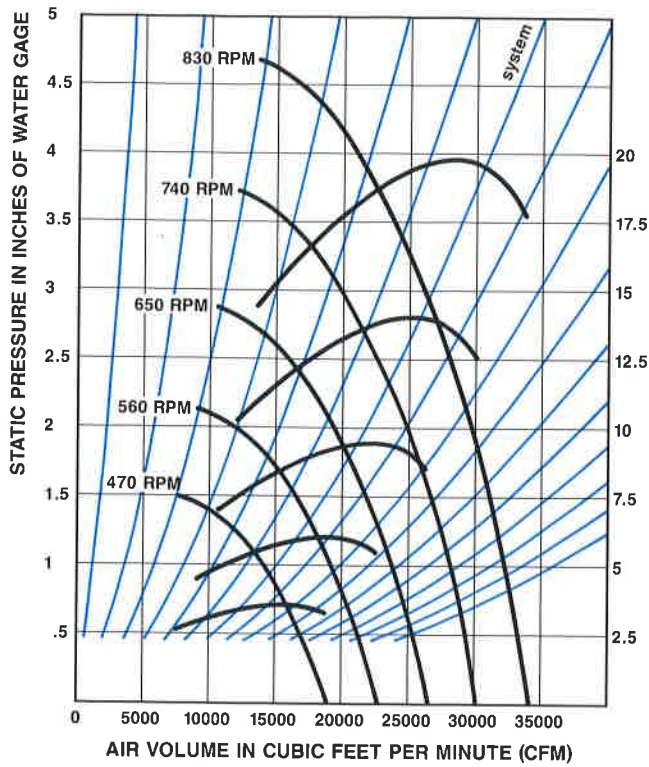
MAX. RPM
CL.1 902
CL.2 1176
CL.3 1482

Minimum horsepower required to start fan—1 1/2 HP

VOL CFM	VEL FPM	.5 SP		.75 SP		1 SP		1.50 SP		2 SP		2.5 SP		3 SP		3.5 SP		4 SP		4.5 SP	
		RPM	BHP	RPM	BHP	RPM	BHP	RPM	BHP	RPM	BHP	RPM	BHP	RPM	BHP	RPM	BHP	RPM	BHP	RPM	BHP
5586	600	273	0.59	333	0.93	—	—	—	—	—	—	—	—	—	—	—	—	—	—	—	—
7448	800	293	0.79	342	1.17	387	1.58	—	—	—	—	—	—	—	—	—	—	—	—	—	—
9310	1000	317	1.07	360	1.49	401	1.95	475	2.96	543	4.09	—	—	—	—	—	—	—	—	—	—
11172	1200	347	1.43	385	1.91	421	2.41	489	3.51	551	4.71	609	6.01	665	7.41	—	—	—	—	—	—
13034	1400	380	1.90	414	2.43	447	2.98	508	4.17	566	5.46	620	6.83	671	8.30	720	9.85	768	11.49	—	—
14896	1600	417	2.49	446	3.06	476	3.67	532	4.96	585	6.34	635	7.80	683	9.35	729	10.97	774	12.67	817	14.44
16758	1800	456	3.21	481	3.84	507	4.50	559	5.89	608	7.37	655	8.92	700	10.56	744	12.26	786	14.04	826	15.89
18620	2000	496	4.10	518	4.77	541	5.48	589	6.98	634	8.56	679	10.21	721	11.94	762	13.73	802	15.59	840	17.52
20482	2200	537	5.16	557	5.88	578	6.63	621	8.24	663	9.92	704	11.67	744	13.50	783	15.38	821	17.34	857	19.35
22344	2400	580	6.41	597	7.18	616	7.98	655	9.68	694	11.47	733	13.33	770	15.25	807	17.24	843	19.28	878	21.39
24206	2600	623	7.87	638	8.69	655	9.53	690	11.33	726	13.23	763	15.19	798	17.22	833	19.30	867	21.45	900	23.65
26068	2800	666	9.56	680	10.43	695	11.32	727	13.21	761	15.20	795	17.27	828	19.41	861	21.60	893	23.84	925	26.14
27930	3000	709	11.48	723	12.41	737	13.35	766	15.33	797	17.42	828	19.60	859	21.84	891	24.13	921	26.48	952	28.88
29792	3200	753	13.66	766	14.65	779	15.65	805	17.71	834	19.90	863	22.17	892	24.52	922	26.92	951	29.37	980	31.88
VOL CFM	VEL FPM	5 SP		5.5 SP		6 SP		6.5 SP		7 SP		7.5 SP		8 SP		8.5 SP		9 SP		10 SP	
		RPM	BHP	RPM	BHP	RPM	BHP	RPM	BHP	RPM	BHP	RPM	BHP	RPM	BHP	RPM	BHP	RPM	BHP	RPM	BHP
16758	1800	866	17.80	904	19.78	942	21.82	979	23.93	—	—	—	—	—	—	—	—	—	—	—	—
18620	2000	877	19.51	914	21.56	950	23.67	985	25.84	1019	28.07	1053	30.36	1087	32.71	—	—	—	—	—	—
20482	2200	893	21.43	928	23.56	962	25.75	995	27.99	1028	30.29	1060	32.64	1092	35.05	1123	37.51	1154	40.03	1214	45.22
22344	2400	912	23.55	945	25.77	977	28.04	1009	30.37	1041	32.75	1071	35.18	1102	37.66	1132	40.19	1161	42.77	1219	48.07
24206	2600	933	25.90	965	28.21	996	30.57	1026	32.99	1056	35.45	1086	37.96	1115	40.52	1144	43.13	1172	45.78	1227	51.23
26068	2800	956	28.49	987	30.89	1016	33.34	1046	35.85	1075	38.40	1103	41.00	1131	43.64	1159	46.33	1186	49.07	1239	54.67
27930	3000	981	31.32	1011	33.82	1039	36.37	1068	38.97	1095	41.61	1123	44.30	1150	47.03	1176	49.81	1202	52.63	1254	58.40
29792	3200	1008	34.43	1036	37.02	1064	39.67	1091	42.36	1118	45.09	1144	47.87	1170	50.70	1196	53.57	1221	56.48	1271	62.42
31654	3400	1037	37.80	1064	40.50	1090	43.25	1116	46.04	1142	48.87	1167	51.74	1193	54.66	1217	57.62	1242	60.62	1290	66.75
33516	3600	1067	41.47	1092	44.28	1118	47.12	1143	50.01	1168	52.94	1192	55.92	1217	58.93	1240	61.99	1264	65.08	1311	71.39
35378	3800	1098	45.45	1122	48.36	1147	51.31	1171	54.30	1195	57.34	1219	60.41	1242	63.52	1265	66.67	1288	69.86	1333	76.36
37240	4000	1130	49.75	1154	52.77	1177	55.83	1200	58.92	1223	62.06	1246	65.23	1269	68.45	1291	71.70	1313	74.98	1357	81.67
39102	4200	1164	54.39	1186	57.52	1209	60.68	1231	63.88	1253	67.13	1275	70.40	1297	73.72	1319	77.07	1340	80.46	1382	87.34
40964	4400	1198	59.39	1220	62.62	1241	65.89	1262	69.20	1284	72.55	1305	75.93	1326	79.35	1347	82.81	1368	86.30	1409	93.38
VOL CFM	VEL FPM	11 SP		12 SP		13 SP		14 SP		15 SP		16 SP		17 SP		18 SP		19 SP		20 SP	
		RPM	BHP	RPM	BHP	RPM	BHP	RPM	BHP	RPM	BHP	RPM	BHP	RPM	BHP	RPM	BHP	RPM	BHP	RPM	BHP
26068	2800	1291	60.45	1342	66.40	1392	72.52	1441	78.80	1489	85.26	1536	91.89	—	—	—	—	—	—	—	—
27930	3000	1304	64.34	1353	70.44	1401	76.70	1448	83.12	1495	89.70	1540	96.44	1585	103.33	1630	110.39	1674	117.60	—	—
29792	3200	1319	68.53	1367	74.79	1413	81.21	1459	87.78	1504	94.50	1548	101.37	1591	108.39	1634	115.56	1677	122.87	1719	130.33
31654	3400	1337	73.03	1383	79.46	1428	86.05	1472	92.78	1516	99.66	1558	106.67	1601	113.83	1642	121.13	1683	128.57	1724	136.15
33516	3600	1356	77.85	1401	84.46	1445	91.22	1487	98.12	1530	105.16	1571	112.34	1612	119.65	1653	127.10	1692	134.68	1732	142.39
35378	3800	1377	83.00	1421	89.80	1463	96.73	1505	103.80	1546	111.02	1586	118.36	1626	125.84	1665	133.44	1704	141.18	1742	149.04
37240	4000	1400	88.51	1442	95.48	1483	102.60	1524	109.85	1564	117.24	1603	124.75	1642	132.40	1680	140.17	1718	148.07	1755	156.09
39102	4200	1424	94.37	1465	101.53	1505	108.83	1544	116.27	1583	123.83	1622	131.53	1659	139.35	1697	147.29	1733	155.36	1770	163.54
40964	4400	1449	100.61	1489	107.96	1528	115.45	1566	123.07	1604	130.82	1642	138.70	1678	146.69	1715	154.81	1751	163.05	1786	171.41
42826	4600	1476	107.23	1514	114.78	1552	122.47	1590	130.28	1627	138.21	1663	146.27	1699	154.45	1734	162.75	1769	171.16	1804	179.70
44688	4800	1503	114.26	1541	122.01	1578	129.89	1614	137.89	1650	146.02	1686	154.26	1721	162.63	1755	171.11	1789	179.71	1823	188.42
46550	5000	1532	121.70	1568	129.66	1604	137.74	1640	145.94	1675	154.26	1709	162.69	1744	171.24	1777	179.91	1811	188.69	1844	197.58
48412	5200	1561	129.58	1596	137.74	1631	146.02	1666	154.42	1700	162.94	1734	171.57	1768	180.31	1801	189.17	1833	198.14	1866	207.21
50274	5400	1591	137.89	1626	146.27	1660	154.76	1694	163.36	1727	172.08	1760	180.91	1793	189.84	1825	198.89	1857	208.05	1888	217.31

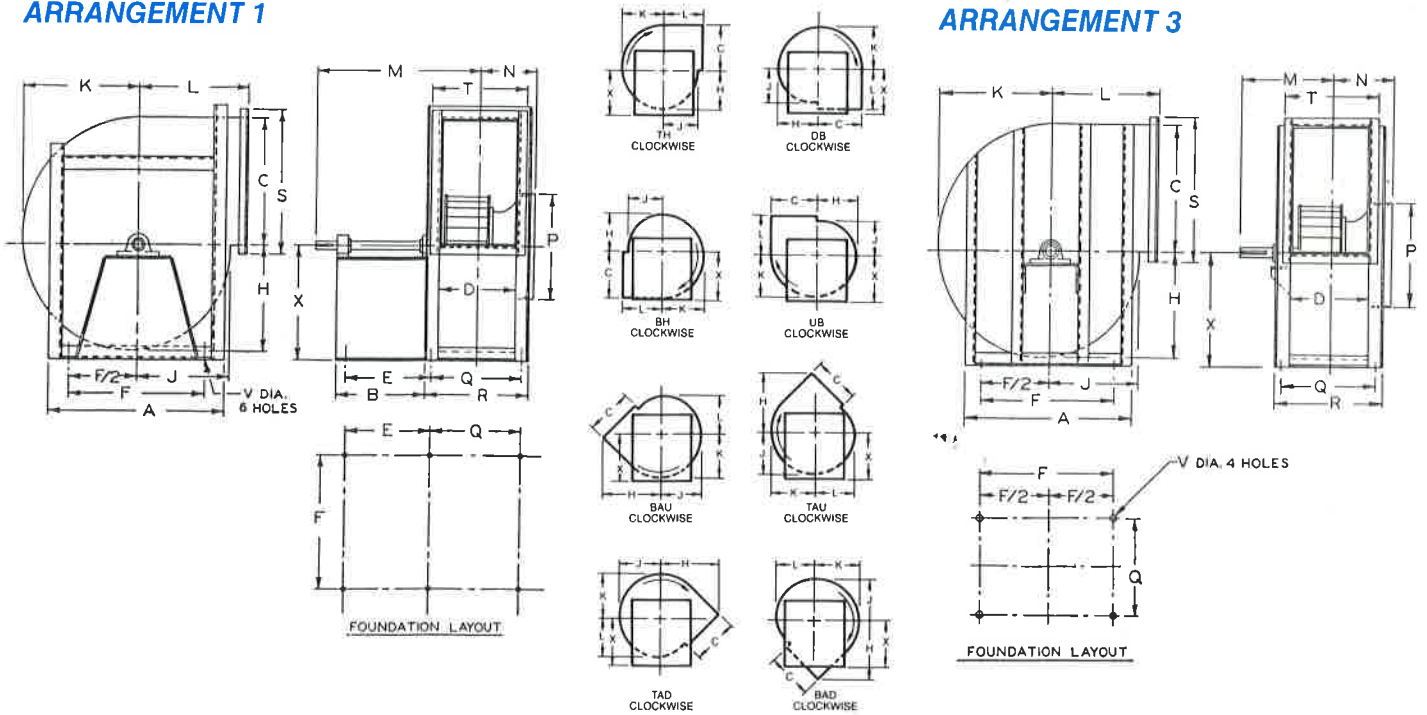
BHP does not include drive losses.
Performance shown is for Power Fixed Blowers with outlet duct.
Data in bold face indicates quietest and most efficient performance.

Class I Blowers Class III Blowers
Class II Blowers Class IV Blowers



ARRANGEMENT 1

ARRANGEMENT 3



ARRANGEMENT 1 & 3—SWSI—CLASS I & II

Model No.	Whl. Dia.	Shaft Ext. Dia.		Shaft Keyway		TH, DB, BH, UB Straight Disch.												BAU, TAU, TAD, BAD, Angular Disch.				Class I	Class II	Approx. Weight Lbs. Class I	Approx. Weight Lbs. Class II															
		Class I	Class II	A	B	C	D	E	F	H	J	K	L	H	J	K	L	M	N	P	Q					R	S	T	U	V	W									
BC402SW	40 1/4	2 3/16	1/2 x 1/4 x 6	2 7/16	5/8 x 5/16 x 6	54 1/2	24 1/2	43 3/4	31 5/8	24 1/2	42 1/2	33	27 1/2	37 3/8	30 3/4	52 1/2	35 1/4	40 3/4	29 3/4	50 1/4	50 1/4	18 3/4	43	35 1/4	37 3/8	49 1/4	37 3/8	—	7/8	—	35 1/2	30 3/4	47 1/4	40 1/8	43 1/4	37 3/4	32 1/4	37 3/4	1710	1850
BC402SW	40 1/4	1 5/16	1/2 x 1/4 x 7	2 3/16	1/2 x 1/4 x 7	54 1/2	—	43 1/4	31 3/8	—	42 1/2	33	27 1/2	37 3/8	30 3/4	52 1/2	35 1/4	40 3/4	29 3/4	27 1/4	27 1/2	21 1/4	43	35 1/4	37 3/8	49 1/4	37 3/8	—	7/8	—	35 1/2	30 3/4	47 1/4	40 1/8	43 1/4	37 3/4	32 1/4	37 3/4	1310	1410

Arrangement 1 Dimensions—Refer to Line 1
 Arrangement 3 Dimensions—Refer to Line 2

PEERLESS ELECTRIC "POWER FIXED" PERFORMANCE TABLES

BC445SW

TIP SPEED (FPM) = 11.65 x RPM

OUTLET (11.39 Sq. Ft. Inside)
47 3/4" x 35" Outside

MAX. HP = 57.02 $\left(\frac{\text{RPM}}{1000}\right)^3$

WHEEL DIAMETER = 44 1/2"

INLET (12.05 Sq. Ft. Inside)
47 1/2" Dia. Outside

MAX. RPM

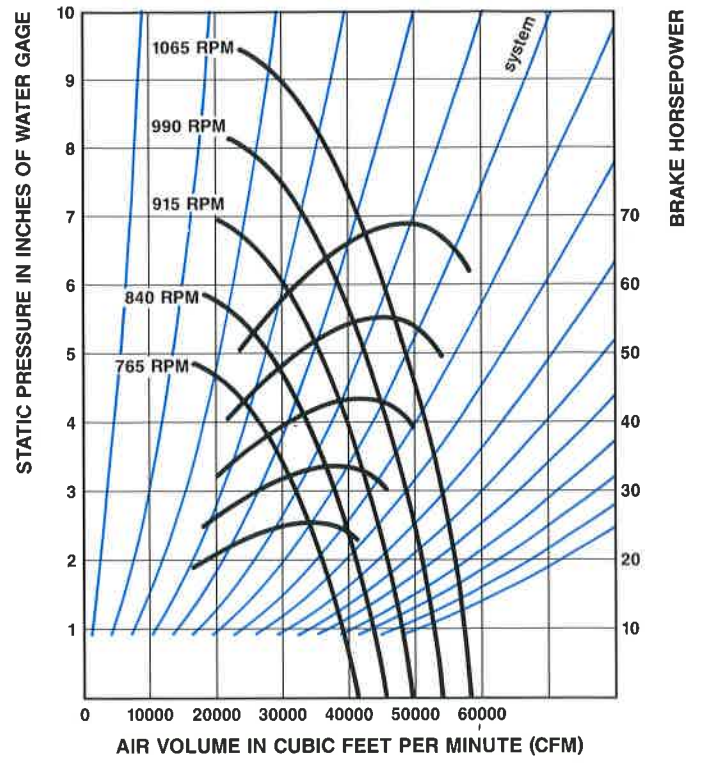
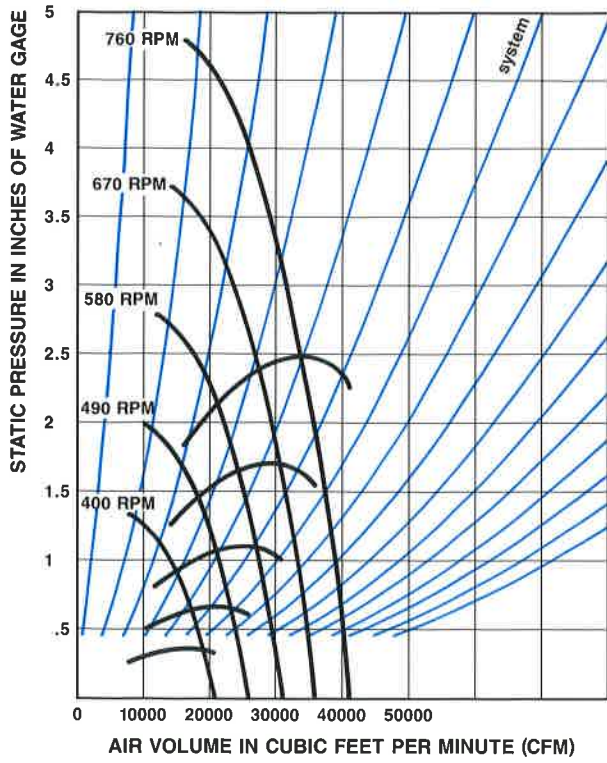
CL.1 816
CL.2 1064
CL.3 1340

Minimum horsepower required to start fan—2 HP

VOL CFM	VEL FPM	.5 SP		.75 SP		1 SP		1.50 SP		2 SP		2.5 SP		3 SP		3.5 SP		4 SP		4.5 SP	
		RPM	BHP	RPM	BHP	RPM	BHP	RPM	BHP	RPM	BHP	RPM	BHP	RPM	BHP	RPM	BHP	RPM	BHP	RPM	BHP
6834	600	249	0.72	301	1.13	—	—	—	—	—	—	—	—	—	—	—	—	—	—	—	—
9112	800	265	0.97	309	1.43	350	1.94	—	—	—	—	—	—	—	—	—	—	—	—	—	—
11390	1000	287	1.31	326	1.82	362	2.38	430	3.62	491	5.00	—	—	—	—	—	—	—	—	—	—
13668	1200	314	1.75	348	2.33	381	2.95	442	4.28	498	5.75	551	7.35	602	9.06	—	—	—	—	—	—
15946	1400	344	2.32	374	2.97	404	3.64	460	5.09	512	6.67	560	8.35	607	10.15	652	12.04	695	14.04	—	—
18224	1600	377	3.04	404	3.75	430	4.49	481	6.06	529	7.75	575	9.54	618	11.43	660	13.41	700	15.49	739	17.66
20502	1800	412	3.93	435	4.69	459	5.50	506	7.20	550	9.00	593	10.91	634	12.90	673	14.99	711	17.16	747	19.42
22780	2000	448	5.01	469	5.83	490	6.70	532	8.53	574	10.46	614	12.48	652	14.59	689	16.78	725	19.06	760	21.42
25058	2200	486	6.31	504	7.18	523	8.11	561	10.07	600	12.12	637	14.27	673	16.50	708	18.80	742	21.19	775	23.65
27336	2400	524	7.84	540	8.77	557	9.75	592	11.83	628	14.02	663	16.29	697	18.64	730	21.07	762	23.57	794	26.14
29614	2600	563	9.62	577	10.62	592	11.65	624	13.85	657	16.17	690	18.57	722	21.05	753	23.59	784	26.21	814	28.90
31892	2800	602	11.68	615	12.75	629	13.84	658	16.14	688	18.58	719	21.12	749	23.72	779	26.40	808	29.14	837	31.95
34170	3000	642	14.03	654	15.17	666	16.32	693	18.73	720	21.29	749	23.95	777	26.69	806	29.50	833	32.36	861	35.30
36448	3200	681	16.70	693	17.91	704	19.12	728	21.65	754	24.32	780	27.10	807	29.97	834	32.91	860	35.90	886	38.96
VOL CFM	VEL FPM	5 SP		5.5 SP		6 SP		6.5 SP		7 SP		7.5 SP		8 SP		8.5 SP		9 SP		10 SP	
		RPM	BHP	RPM	BHP	RPM	BHP	RPM	BHP	RPM	BHP	RPM	BHP	RPM	BHP	RPM	BHP	RPM	BHP	RPM	BHP
20502	1800	783	21.76	818	24.17	852	26.67	886	29.25	—	—	—	—	—	—	—	—	—	—	—	—
22780	2000	794	23.85	827	26.36	859	28.93	891	31.59	922	34.31	953	37.11	983	39.98	1013	42.92	—	—	—	—
25058	2200	808	26.19	839	28.80	870	31.47	900	34.21	930	37.02	959	39.90	988	42.84	1016	45.85	1044	48.92	1098	55.27
27336	2400	825	28.79	855	31.50	884	34.28	913	37.12	941	40.03	969	43.00	996	46.03	1023	49.12	1050	52.27	1102	58.76
29614	2600	844	31.66	872	34.48	901	37.37	928	40.32	955	43.33	982	46.40	1008	49.53	1034	52.72	1060	55.96	1110	62.62
31892	2800	865	34.82	892	37.76	919	40.76	946	43.82	972	46.93	998	50.11	1023	53.35	1048	56.63	1073	59.98	1121	66.83
34170	3000	888	38.29	914	41.34	940	44.46	966	47.63	991	50.86	1015	54.15	1040	57.49	1064	60.88	1087	64.33	1134	71.39
36448	3200	912	42.08	937	45.25	962	48.49	987	51.78	1011	55.12	1035	58.52	1058	61.97	1082	65.48	1104	69.03	1149	76.30
38726	3400	938	46.21	962	49.51	986	52.86	1010	56.27	1033	59.73	1056	63.25	1079	66.81	1101	70.43	1123	74.10	1167	81.59
41004	3600	965	50.70	988	54.12	1011	57.60	1034	61.13	1056	64.72	1078	68.35	1100	72.03	1122	75.77	1143	79.55	1186	87.26
43282	3800	993	55.56	1015	59.11	1037	62.72	1059	66.38	1081	70.08	1102	73.84	1123	77.64	1144	81.50	1165	85.40	1206	93.33
45560	4000	1022	60.81	1044	64.50	1065	68.24	1086	72.02	1107	75.86	1127	79.74	1148	83.66	1168	87.64	1188	91.66	1227	99.83
47838	4200	1053	66.48	1073	70.30	1093	74.17	1113	78.09	1133	82.05	1153	86.06	1173	90.11	1193	94.21	1212	98.35	1250	106.76
50116	4400	1084	72.59	1103	76.54	1123	80.54	1142	84.59	1161	88.68	1180	92.82	1199	97.00	1218	101.22	1237	105.49	1274	114.15
VOL CFM	VEL FPM	11 SP		12 SP		13 SP		14 SP		15 SP		16 SP		17 SP		18 SP		19 SP		20 SP	
		RPM	BHP	RPM	BHP	RPM	BHP	RPM	BHP	RPM	BHP	RPM	BHP	RPM	BHP	RPM	BHP	RPM	BHP	RPM	BHP
31892	2800	1168	73.89	1214	81.16	1259	88.64	1303	96.32	1347	104.22	1390	112.32	—	—	—	—	—	—	—	—
34170	3000	1179	78.64	1224	86.10	1267	93.75	1310	101.60	1352	109.64	1393	117.88	1434	126.31	1474	134.93	1514	143.75	—	—
36448	3200	1193	83.77	1236	91.42	1278	99.27	1320	107.30	1360	115.51	1400	123.91	1439	132.49	1478	141.25	1517	150.19	1554	159.31
38726	3400	1209	89.27	1251	97.13	1291	105.18	1331	113.41	1371	121.81	1410	130.39	1448	139.14	1485	148.06	1522	157.16	1559	166.42
41004	3600	1227	95.16	1267	103.24	1307	111.50	1345	119.93	1384	128.54	1421	137.31	1458	146.25	1495	155.35	1531	164.62	1566	174.05
43282	3800	1246	101.46	1285	109.76	1323	118.24	1361	126.88	1398	135.70	1435	144.68	1471	153.81	1506	163.11	1541	172.56	1576	182.17
45560	4000	1266	108.18	1304	116.71	1342	125.41	1378	134.27	1414	143.30	1450	152.49	1485	161.84	1520	171.34	1554	180.99	1587	190.79
47838	4200	1288	115.35	1325	124.11	1361	133.03	1397	142.12	1432	151.37	1467	160.77	1501	170.33	1535	180.04	1568	189.90	1601	199.90
50116	4400	1311	122.97	1347	131.97	1382	141.12	1417	150.43	1451	159.91	1485	169.53	1518	179.31	1551	189.23	1583	199.30	1615	209.52
52394	4600	1335	131.07	1370	140.30	1404	149.69	1438	159.24	1471	168.94	1504	178.79	1537	188.79	1569	198.93	1600	209.22	1632	219.65
54672	4800	1359	139.66	1393	149.14	1427	158.77	1460	168.55	1492	178.48	1525	188.56	1556	198.79	1588	209.15	1619	219.66	1649	230.31
56950	5000	1385	148.76	1418	158.49	1451	168.36	1483	178.38	1515	188.55	1546	198.86	1577	209.32	1608	219.91	1638	230.64	1668	241.51
59228	5200	1412	158.38	1444	168.36	1476	178.49	1507	188.76	1538	199.16	1568	209.71	1599	220.40	1629	231.23	1658	242.19	1687	253.28
61506	5400	1439	168.55	1470	178.79	1501	189.17	1532	199.68	1562	210.34	1592	221.13	1621	232.05	1651	243.11	1679	254.30	1708	265.63

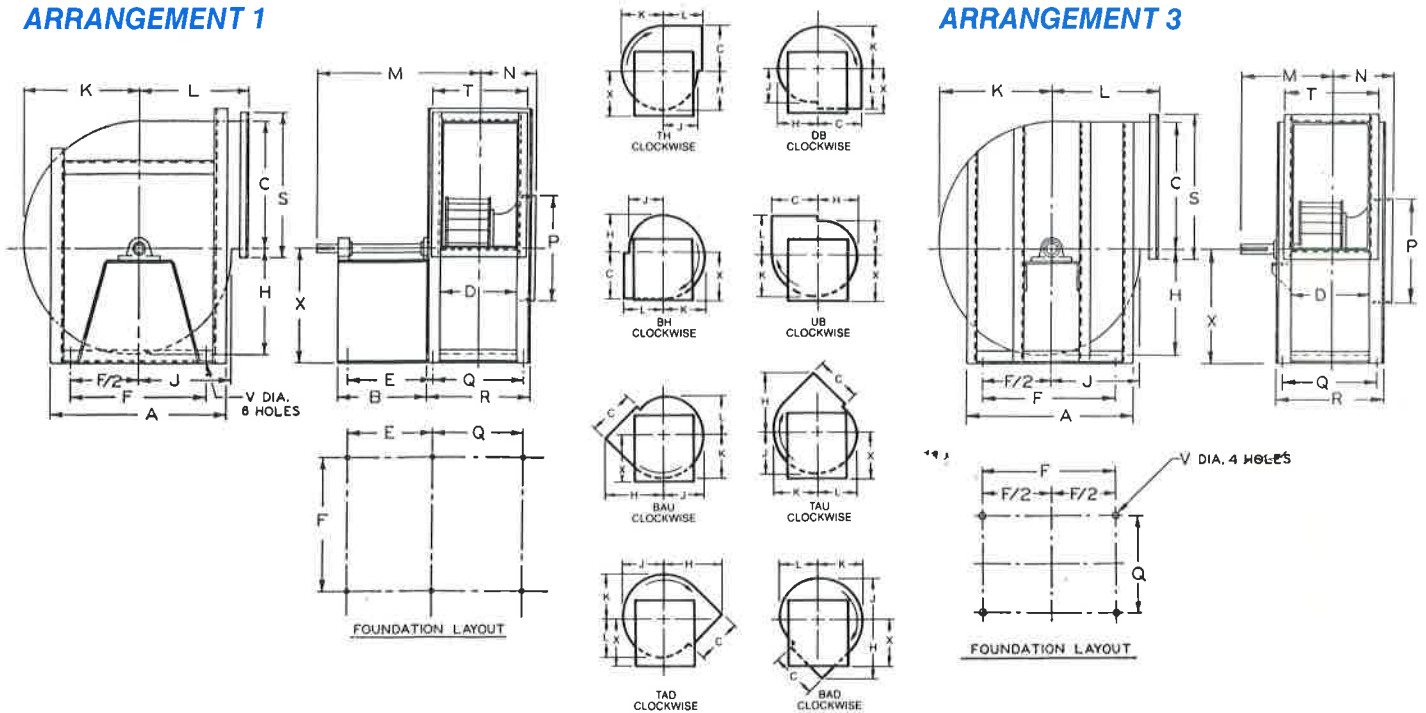
BHP does not include drive losses.
Performance shown is for Power Fixed Blowers with outlet duct.
Data in bold face indicates quietest and most efficient performance.

Class I Blowers Class III Blowers
Class II Blowers Class IV Blowers



ARRANGEMENT 1

ARRANGEMENT 3



ARRANGEMENT 1 & 3—SWSI—CLASS I & II

Model No.	Whl. Dia.	Shaft Ext. Dia.		Shaft Keyway		TH, DB, BH, UB Straight Disch.						BAU, TAU, TAD, BAD, Angular Disch.				Class I	Class II	Dimensions										Approx. Weight Lbs. Class I	Approx. Weight Lbs. Class II											
		Class I	Class II	A	B	C	D	E	F	H	J	K	L	H	J			K	L	M	N	P	Q	R	S	T	U			V	W									
BC445SW	44 1/2	2 3/16	1/2 x 1/4 x 6	2 1/16	3/8 x 5/16 x 6	59	25	47 3/4	35	25	47	36 1/4	30 1/4	41 3/4	34	57 1/2	38 3/4	45	32 3/4	52 1/2	52 1/2	20	47 1/2	38 1/2	41	53 3/4	41	—	7/8	—	38 3/4	34	51 3/4	43 3/4	47 1/2	41 1/4	35 1/4	41 1/4	2025	2260
BC445SW	44 1/2	1 15/16	1/2 x 1/4 x 7	2 7/16	3/8 x 5/16 x 7	59	—	47 3/4	35	—	47	36 1/4	30 1/4	41 3/4	34	57 1/2	38 3/4	45	32 3/4	29	29 1/2	23 1/2	47 1/2	38 1/2	41	53 3/4	41	—	7/8	—	38 3/4	34	51 3/4	43 3/4	47 1/2	41 1/4	35 1/4	41 1/4	1545	1730

Arrangement 1 Dimensions—Refer to Line 1
 Arrangement 3 Dimensions—Refer to Line 2

PEERLESS ELECTRIC "POWER FIXED" PERFORMANCE TABLES

BC490SW

TIP SPEED (FPM) = 12.83 x RPM

OUTLET (13.80 Sq. Ft. Inside)
52 5/8" x 38 1/2" Outside

MAX. HP = 92.30 (RPM)³
1000

WHEEL DIAMETER = 49"

INLET (14.61 Sq. Ft. Inside)
52 1/4" Dia. Outside

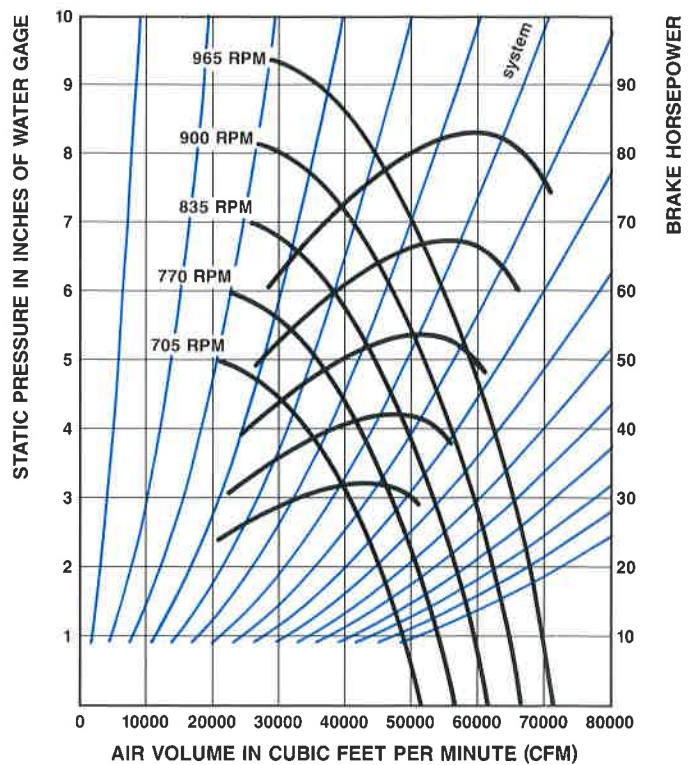
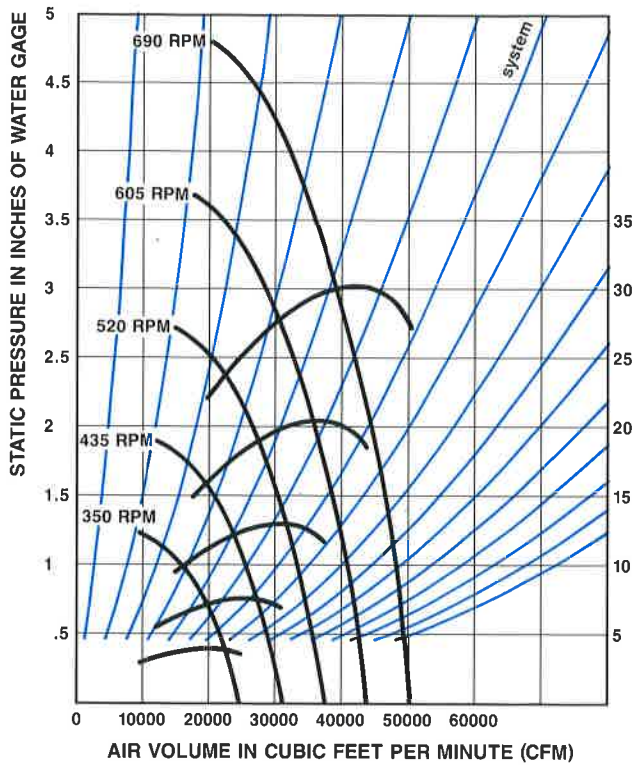
MAX. RPM
CL.1 741
CL.2 966
CL.3 1217

Minimum horsepower required to start fan—5 HP

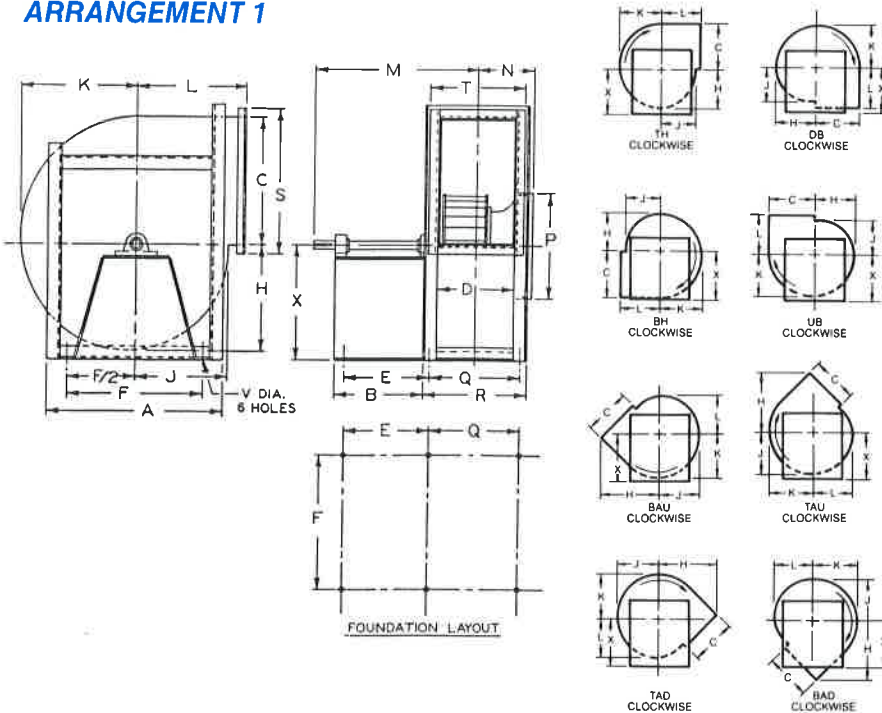
VOL CFM	VEL FPM	.5 SP		.75 SP		1 SP		1.50 SP		2 SP		2.5 SP		3 SP		3.5 SP		4 SP		4.5 SP	
		RPM	BHP	RPM	BHP	RPM	BHP	RPM	BHP	RPM	BHP	RPM	BHP	RPM	BHP	RPM	BHP	RPM	BHP	RPM	BHP
8280	600	226	0.87	273	1.37	—	—	—	—	—	—	—	—	—	—	—	—	—	—	—	—
11040	800	240	1.17	281	1.73	318	2.35	—	—	—	—	—	—	—	—	—	—	—	—	—	—
13800	1000	261	1.59	296	2.21	329	2.89	390	4.39	446	6.06	—	—	—	—	—	—	—	—	—	—
16560	1200	285	2.13	316	2.83	346	3.57	401	5.20	452	6.98	501	8.91	546	10.98	—	—	—	—	—	—
19320	1400	312	2.82	340	3.60	367	4.42	417	6.18	465	8.08	509	10.13	551	12.30	592	14.60	631	17.02	—	—
22080	1600	342	3.69	367	4.54	391	5.44	437	7.35	481	9.39	522	11.56	561	13.86	599	16.26	636	18.78	671	21.41
24840	1800	374	4.76	395	5.69	417	6.67	459	8.73	500	10.92	538	13.22	575	15.65	611	18.18	645	20.81	679	23.55
27600	2000	407	6.07	426	7.07	445	8.12	483	10.34	521	12.68	557	15.13	592	17.69	626	20.35	658	23.11	690	25.97
30360	2200	441	7.65	458	8.71	475	9.83	510	12.21	545	14.70	579	17.30	611	20.00	643	22.80	674	25.69	704	28.68
33120	2400	476	9.50	491	10.63	506	11.82	538	14.35	570	17.00	602	19.75	633	22.60	663	25.55	692	28.58	721	31.70
35880	2600	511	11.67	524	12.87	538	14.13	567	16.79	597	19.60	626	22.51	656	25.52	684	28.61	712	31.78	740	35.04
38640	2800	547	14.16	559	15.45	571	16.77	597	19.57	625	22.53	653	25.60	680	28.76	707	32.01	734	35.33	760	38.74
41400	3000	583	17.01	594	18.39	605	19.79	629	22.71	654	25.82	680	29.04	706	32.36	732	35.76	757	39.24	782	42.80
44160	3200	619	20.25	629	21.71	640	23.19	662	26.25	685	29.49	709	32.86	733	36.34	757	39.90	781	43.53	805	47.24
VOL CFM	VEL FPM	5 SP		5.5 SP		6 SP		6.5 SP		7 SP		7.5 SP		8 SP		8.5 SP		9 SP		10 SP	
		RPM	BHP	RPM	BHP	RPM	BHP	RPM	BHP	RPM	BHP	RPM	BHP	RPM	BHP	RPM	BHP	RPM	BHP	RPM	BHP
24840	1800	711	26.38	743	29.31	774	32.34	805	35.46	—	—	—	—	—	—	—	—	—	—	—	
27600	2000	721	28.92	751	31.95	780	35.08	809	38.30	837	41.60	865	44.99	893	48.47	—	—	—	—	—	
30360	2200	734	31.75	762	34.91	790	38.16	818	41.48	844	44.89	871	48.38	897	51.95	923	55.59	948	59.32	998	67.02
33120	2400	749	34.91	776	38.19	803	41.56	829	45.01	855	48.54	880	52.14	905	55.81	929	59.56	954	63.38	1001	71.25
35880	2600	766	38.39	792	41.81	818	45.31	843	48.89	868	52.54	892	56.26	916	60.05	939	63.92	963	67.85	1008	75.92
38640	2800	785	42.22	810	45.78	835	49.42	859	53.13	883	56.91	906	60.76	929	64.68	952	68.67	974	72.72	1018	81.03
41400	3000	806	46.42	830	50.13	854	53.90	877	57.75	900	61.67	922	65.65	944	69.70	966	73.82	988	78.00	1030	86.55
44160	3200	828	51.02	851	54.87	874	58.79	896	62.78	918	66.83	940	70.95	961	75.14	982	79.39	1003	83.70	1044	92.51
46920	3400	852	56.03	874	60.03	895	64.09	917	68.23	938	72.42	959	76.69	980	81.01	1000	85.40	1020	89.85	1059	98.92
49680	3600	876	61.47	897	65.62	918	69.84	939	74.12	959	78.47	979	82.87	999	87.34	1019	91.87	1038	96.45	1077	105.80
52440	3800	902	67.36	922	71.67	942	76.05	962	80.48	982	84.98	1001	89.52	1020	94.14	1039	98.81	1058	103.54	1095	113.17
55200	4000	928	73.73	948	78.21	967	82.74	986	87.33	1005	91.97	1024	96.68	1042	101.44	1061	106.26	1079	111.13	1115	121.04
57960	4200	956	80.61	974	85.24	993	89.93	1011	94.68	1029	99.48	1047	104.34	1065	109.25	1083	114.22	1101	119.24	1135	129.45
60720	4400	984	88.02	1002	92.80	1019	97.65	1037	102.56	1055	107.52	1072	112.54	1089	117.61	1106	122.73	1123	127.90	1157	138.40
VOL CFM	VEL FPM	11 SP		12 SP		13 SP		14 SP		15 SP		16 SP		17 SP		18 SP		19 SP		20 SP	
		RPM	BHP	RPM	BHP	RPM	BHP	RPM	BHP	RPM	BHP	RPM	BHP	RPM	BHP	RPM	BHP	RPM	BHP	RPM	BHP
38640	2800	1060	89.59	1102	98.40	1143	107.47	1183	116.79	1223	126.36	1262	136.18	—	—	—	—	—	—	—	—
41400	3000	1071	95.35	1111	104.40	1151	113.68	1190	123.19	1228	132.94	1265	142.92	1302	153.14	1339	163.60	1375	174.30	—	—
44160	3200	1084	101.56	1123	110.85	1161	120.36	1198	130.10	1235	140.06	1272	150.24	1307	160.64	1343	171.26	1377	182.10	1412	193.16
46920	3400	1098	108.23	1136	117.77	1173	127.53	1209	137.51	1245	147.70	1280	158.10	1315	168.71	1349	179.52	1383	190.55	1416	201.78
49680	3600	1114	115.38	1151	125.17	1187	135.19	1222	145.42	1257	155.85	1291	166.49	1324	177.33	1357	188.36	1390	199.60	1422	211.03
52440	3800	1131	123.01	1167	133.08	1202	143.36	1236	153.84	1270	164.53	1303	175.41	1336	186.49	1368	197.77	1400	209.23	1431	220.88
55200	4000	1150	131.17	1184	141.51	1218	152.05	1252	162.80	1285	173.75	1317	184.89	1349	196.22	1380	207.74	1411	219.44	1442	231.33
57960	4200	1170	139.86	1203	150.48	1236	161.30	1269	172.31	1301	183.53	1332	194.93	1363	206.52	1394	218.29	1424	230.25	1454	242.38
60720	4400	1190	149.10	1223	160.00	1255	171.10	1287	182.40	1318	193.88	1348	205.55	1379	217.41	1409	229.44	1438	241.65	1467	254.04
63480	4600	1212	158.92	1244	170.12	1275	181.50	1306	193.07	1336	204.83	1366	216.78	1396	228.90	1425	241.20	1453	253.67	1482	266.32
66240	4800	1235	169.34	1265	180.83	1296	192.51	1326	204.36	1355	216.41	1385	228.63	1413	241.02	1442	253.59	1470	266.33	1498	279.24
69000	5000	1258	180.37	1288	192.16	1318	204.13	1347	216.29	1376	228.61	1404	241.12	1432	253.79	1460	266.64	1487	279.65	1515	292.83
71760	5200	1282	192.04	1311	204.14	1340	216.41	1369	228.86	1397	241.48	1424	254.27	1452	267.23	1479	280.36	1506	293.64	1532	310.00
74520	5400	1307	204.36	1335	216.78	1363	229.36	1391	242.11	1419	255.03	1446	268.11	1472	281.36	1499	294.77	1525	310.00	1551	320.00

BHP does not include drive losses.
Performance shown is for Power Fixed Blowers with outlet duct.
Data in bold face indicates quietest and most efficient performance.

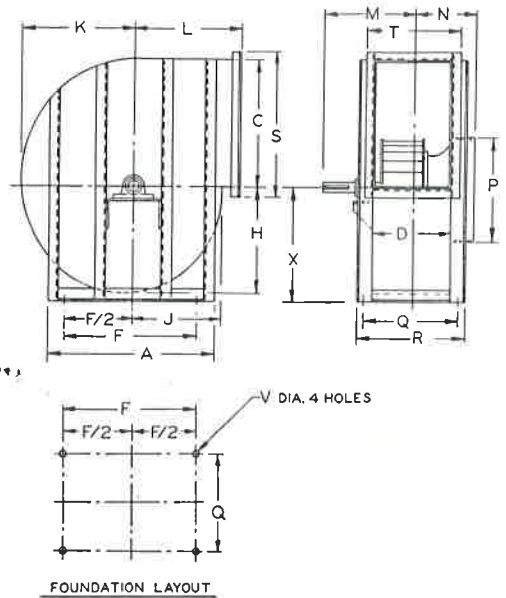
Class I Blowers Class III Blowers
Class II Blowers Class IV Blowers



ARRANGEMENT 1



ARRANGEMENT 3



ARRANGEMENT 1 & 3—SWI—CLASS I & II

Model No.	Whl. Dia.	Shaft Ext. Dia. Keyway		Discharge																Class I	Class II			Approx. Weight Lbs. Class I	Approx. Weight Lbs. Class II													
		Class I	Class II	TH, DB, BH, UB Straight Disch.				BAU, TAU, TAD, BAD, Angular Disch.				M	N	P	Q	R	S	T	U		V	W	X															
BC490SW	49	2 1/16	3/8 x 3/16 x 6	2 1/16	3/8 x 3/16 x 6	63 3/4	26	52 3/8	38 1/2	26	51 3/4	40 1/8	33 1/2	45 3/4	37 1/4	63 3/4	42 3/4	49 3/4	36 1/4	55 1/4	55 1/4	21 7/8	52 1/4	42	44 1/2	58 3/4	44 1/2	7 1/8	42 3/4	37 1/4	56 3/4	48 3/4	52 1/4	45 3/4	38 3/4	45 3/4	2530	2825
BC490SW	49	2 3/16	1/2 x 1/4 x 7	2 7/16	5/8 x 3/16 x 7	63 3/4	—	52 3/8	38 1/2	—	51 3/4	40 1/8	33 1/2	45 3/4	37 1/4	63 3/4	42 3/4	49 3/4	36 1/4	31	31 1/4	25 1/4	52 1/4	42	44 1/2	58 3/4	44 1/2	7 1/8	42 3/4	37 1/4	56 3/4	48 3/4	52 1/4	45 3/4	38 3/4	45 3/4	1930	2165

Arrangement 1 Dimensions—Refer to Line 1
 Arrangement 3 Dimensions—Refer to Line 2

Wheel Weights and WR² in Lbs. Ft²

WHEEL WEIGHTS AND WR² IN LBS. FT.²

Fan Size	Class I		Class II		Class III	
	Weight	WR ²	Weight	WR ²	Weight	WR ²
BC270SW	83	48	83	48	104	58
BC300SW	120	84	120	84	135	96
BC330SW	158	135	158	137	214	167
BC365SW	189	204	191	205	252	245
BC402SW	225	296	224	296	291	351
BC445SW	273	444	346	520	354	537
BC490SW	431	867	515	979	523	1003

Energy Savings with Fans Utilizing Variable Inlet Vanes!

Inlet vanes are often used for capacity modulation. They give accurate modulation and power savings over other styles of dampers at reduced air flow.

When an inlet vane is partially closed, each blade directs the air into the wheel in the direction of rotation and so the air is pre-spun. This brings about a reduction in the CFM, static pressure and BHP. The amount of BHP savings at reduced

CFM is determined by the type of system and type of Fan-Vane combination.

Madison Manufacturing Company realizes the importance of providing accurate and complete engineering information regarding inlet vanes. This comprehensive engineering data is a direct result of information derived from tests performed in our laboratory. Computerized "PIC-FAN" Program

saves time and reduces error by making the necessary calculations rapidly and accurately, allowing important evaluation of operating conditions to arrive at the best selection.

In selecting vanes caution must be used below 50% of the design CFM since there is a possibility that fan pulsation may occur.

POWER FIXED NESTED TYPE INLET VANE CORRECTIONS (See NOTE)

The nested inlet vane corrections for all sizes are with the vanes fully open.

Due to additional losses at the fan inlet caused by the installation of variable inlet vanes, a slight correction above catalog RPM and BHP ratings is necessary to reach design performance.

These correction factors are as follows:

Fan Size

BC270 thru BC330 RPM x 1.05
BHP x 1.145

BC365 thru BC490 RPM x 1.035
BHP x 1.09

Example: BC365SW Class I is to operate at 16,852 CFM at 2" S.P.

Step 1: Through interpolation establish the design RPM and BHP of the unit from the performance tables. For this unit it would be 731 RPM and 8.16 BHP.

Step 2: Multiply design RPM and BHP by the following factors to determine the required RPM and BHP for a fan with nested type inlet vanes.

Example: 7.31 (design RPM) x 1.035 = 756 (corrected RPM)

8.16 (design BHP) x 1.09 = 8.90 (corrected BHP)

Final Selection: BC365SW, Class I to deliver 16,852 CFM at 2" S.P. with nested inlet vanes requires 756 RPM and 8.90 BHP.

Caution: Check RPM and BHP to insure they do not exceed selected blower class or motor horsepower.

ISO 9001

REGISTRATION

1385



PEERLESS ELECTRIC

MADISON MANUFACTURING COMPANY

AFFILIATE OF PEERLESS-WINSMITH, INC.

One Madison Avenue, P.O. Box 187, Hot Springs, NC 28743-0187 • 828/622-7500 • Fax: 828/622-3309 • 1-800/613-4766

MM-17739—7/00—1M

Printed in U.S.A.

