

**PEERLESS
BLOWERS**

Industrial Fans



Your Clean Air Source!

PEERLESS BLOWERS

PEERLESS BLOWERS INDUSTRIAL FANS

HIGH QUALITY... HIGH EFFICIENCY... VERSATILITY

PEERLESS BLOWERS INDUSTRIAL FANS INDEX

Peerless Blowers Industrial Fans	2
Wheels and Arrangements	3
Temperature and Altitude Correction Data	4
Operating Data	4
Construction Features	5
Bearings	5
Peerless Blowers Industrial Fans Performance Tables	
L-07	6
M-09	7
M-11	8
M-13	9
M-15	10
M-17	11
M-19	12
M-21	13
M-23	14
M-26	15
M-29	16
M-33	17
A-09	18
A-11	19
A-13	20
A-15	21
A-17	22
A-19	23
A-21	24
A-23	25
A-26	26
A-29	27
A-33	28
Industrial Fans Standard Duty Construction	
Arrangement #1	29
Arrangement #4	35
Arrangement #9	31
Arrangement #10	33
Industrial Fans Heavy Duty Construction	
Arrangement #1	30
Arrangement #9	32
Arrangement #10	34
Material Specifications	
Standard Duty Construction	36
Heavy Duty Construction	36
Rotatable Discharge	36
Wheel Weights with WR^2 in Lbs. Ft ² for Wheel and Shaft	36
Sample Specification — Industrial Fans	37
Engineering Data	
Useful Conveying Data	38
Areas and Circumferences of Circles	38
Friction Loss in Inches of Water per 100 Feet Round Duct	38
Gauges of Sheet Metal	39
Equivalent Pressures	39
U.S. and Metric Units Used in Fan Applications	39

Established in 1893, **Peerless Blowers** has a well established record of manufacturing a complete line of heavy-duty industrial fans and blowers, as well as large propeller fans for commercial and industrial applications. For over a hundred years, thousands of customers have come to know and depend on the quality-built, reliable and efficient fans and blower products produced by **Peerless Blowers**. Our engineering and design departments are experts assisting customers develop custom-designed air conveying systems that will meet and exceed their critical industrial fan or blower application requirements.

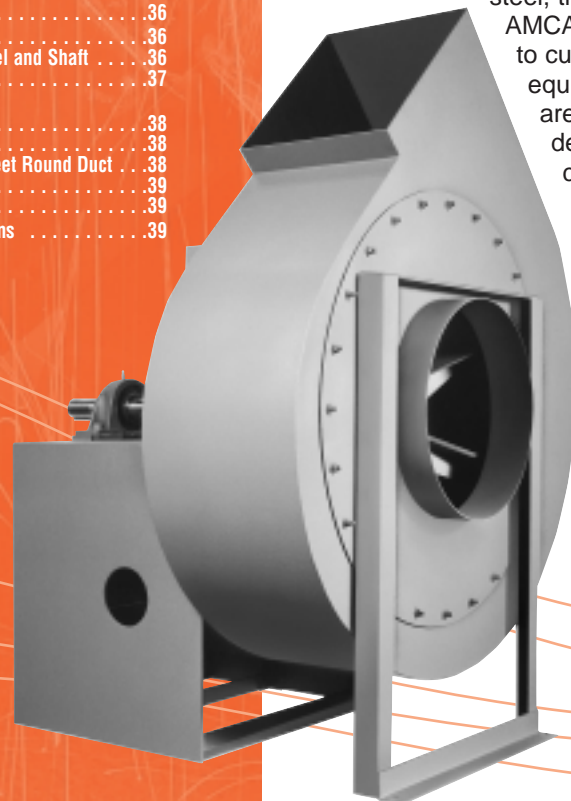
Industrial fans and blower products manufactured by **Peerless Blowers** have and continue to provide exceptional performance, cost-efficient operation and long-term service to customers in numerous OEM and industrial markets, including:

- Aviation • Automotive • Chemical • Clothing • Food
- Foundries • Graphics/Printing • HVAC • Leather
- Maintenance • Manufacturing • Mining • Paint
- Paper/Pulp • Petroleum • Plastics • Rail • Rubber
- Steel • Textile • And More!

Industrial fans produced by **Peerless Blowers** have been application engineered and designed to meet and exceed all the requirements of today's air moving and pneumatic conveying industrial needs. **Peerless Blowers'** fans were engineered to provide long lasting, efficient operation for material conveying, dust/fume removal, mechanical draft, hot air exhaust, and industrial process gas handling and removal applications. Built with all-welded heavy gauge steel, these industrial fans are built in various AMCA standard drive arrangements and also to custom-designed requirements for original equipment manufacturers. Our industrial fans are available in three variations of wheel design and we can assist you with any custom-design industrial fan application that you may require.

Tested/rated to meet AMCA/ASHRAE Codes, our blowers are designed to provide maximum performance, long-term service and cost efficient operation in a wide variety of applications and environments.

Regardless of your air movement requirements, Peerless Blowers ...IS YOUR CLEAN AIR SOURCE!

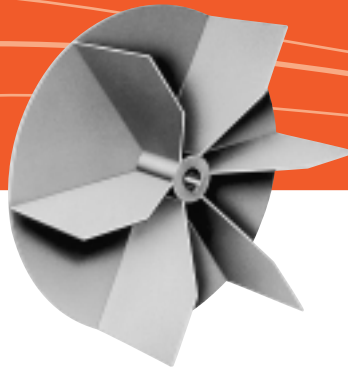


WHEELS



Type M Wheel

Popular selection for efficient handling of air containing granular materials; sawdust, grain, dust and particle-laden industrial process air or gas.



Type L Wheel

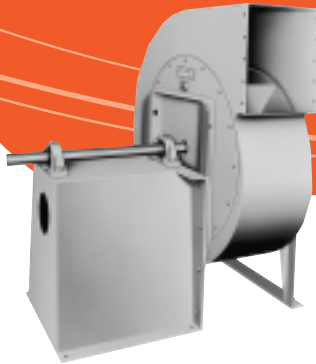
Constructed the same as the Type M wheel, but with no front plate. This allows passage of larger materials through the wheel such as wood shavings, paper strips, textile scrap, wool and ensilage.



Type A Wheel

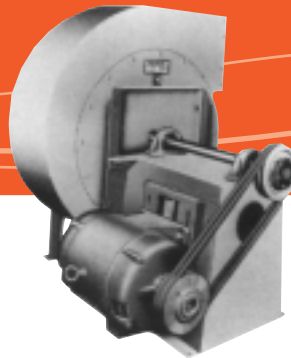
Designed for higher efficiency air handling of fumes, gases or air containing fine particles.

ARRANGEMENTS



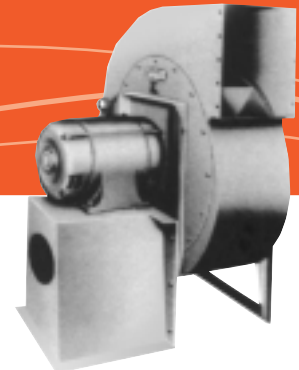
Arrangement 1

Available in all sizes. Externally mounted motor. Operating temperature is limited to 800°F.



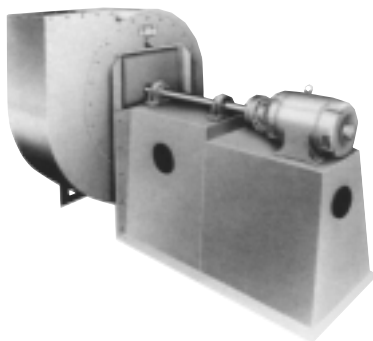
Arrangement 9

Available in sizes 07 through 29. Motor mounted on bearing pedestal, left hand or right hand positions. Operating temperature is limited to 600°F.



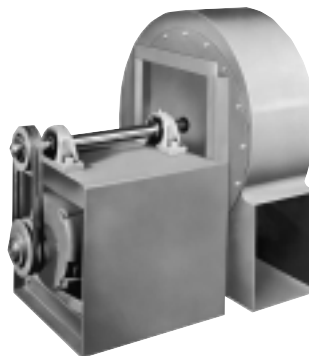
Arrangement 4

Available in sizes 07 through 21. Direct Drive. Wheel mounted on motor shaft extension. Operating temperature is limited to 180°F.



Arrangement 8

Available in all sizes. Direct Drive through flexible coupling integral bearing and motor pedestal.



Arrangement 10

Available in sizes 07 through 26. Motor mounted inside frame. Operating temperature is limited to 600°F.

TEMPERATURE AND ALTITUDE CORRECTION DATA

Correction Factor Table

AIR TEMP. DEG. F.	Altitude in Feet Above Sea Level																			
	0	500	1000	1500	2000	2500	3000	3500	4000	4500	5000	5500	6000	6500	7000	7500	8000	8500	9000	10000
0°	0.87	0.89	0.91	0.92	0.94	0.96	0.98	0.99	1.01	1.03	1.05	1.06	1.09	1.10	1.13	1.15	1.17	1.19	1.22	1.26
40°	0.94	0.96	0.98	1.00	1.02	1.04	1.06	1.08	1.10	1.12	1.14	1.16	1.19	1.21	1.23	1.26	1.28	1.30	1.32	1.36
70°	1.00	1.02	1.04	1.06	1.08	1.10	1.12	1.14	1.16	1.18	1.20	1.22	1.25	1.27	1.30	1.32	1.35	1.37	1.40	1.45
80°	1.02	1.04	1.06	1.08	1.10	1.12	1.14	1.16	1.19	1.21	1.23	1.26	1.28	1.30	1.33	1.36	1.38	1.41	1.43	1.48
100°	1.06	1.08	1.10	1.12	1.14	1.16	1.19	1.21	1.23	1.25	1.28	1.30	1.33	1.35	1.38	1.41	1.43	1.46	1.48	1.54
120°	1.09	1.12	1.14	1.16	1.18	1.20	1.23	1.25	1.28	1.30	1.32	1.35	1.38	1.40	1.43	1.46	1.48	1.51	1.53	1.58
140°	1.13	1.15	1.18	1.20	1.22	1.25	1.27	1.29	1.32	1.34	1.37	1.40	1.42	1.45	1.48	1.51	1.54	1.57	1.58	1.65
160°	1.17	1.19	1.22	1.24	1.26	1.29	1.31	1.34	1.36	1.39	1.42	1.44	1.47	1.50	1.53	1.56	1.59	1.62	1.64	1.70
180°	1.21	1.23	1.26	1.28	1.3	1.33	1.36	1.38	1.41	1.43	1.46	1.49	1.52	1.55	1.58	1.61	1.64	1.67	1.70	1.75
200°	1.25	1.27	1.29	1.32	1.34	1.37	1.40	1.42	1.45	1.48	1.51	1.54	1.57	1.60	1.63	1.66	1.69	1.72	1.75	1.81
250°	1.34	1.36	1.39	1.42	1.45	1.47	1.50	1.53	1.56	1.59	1.62	1.65	1.68	1.71	1.74	1.78	1.82	1.85	1.88	1.94
300°	1.43	1.46	1.49	1.52	1.55	1.58	1.61	1.64	1.67	1.70	1.74	1.77	1.80	1.84	1.87	1.91	1.94	1.98	2.00	2.08
350°	1.53	1.56	1.59	1.62	1.65	1.68	1.72	1.75	1.78	1.81	1.85	1.88	1.92	1.96	2.00	2.04	2.07	2.11	2.14	2.22
400°	1.62	1.65	1.69	1.72	1.75	1.79	1.82	1.85	1.89	1.93	1.96	2.00	2.04	2.08	2.12	2.16	2.20	2.25	2.27	2.35
450°	1.72	1.75	1.79	1.82	1.86	1.89	1.93	1.96	2.00	2.04	2.08	2.12	2.16	2.20	2.24	2.29	2.33	2.38	2.41	2.50
500°	1.81	1.85	1.88	1.92	1.96	1.99	2.03	2.07	2.11	2.15	2.19	2.23	2.28	2.32	2.36	2.41	2.46	2.51	2.54	2.62
550°	1.91	1.94	1.98	2.02	2.06	2.10	2.14	2.18	2.22	2.26	2.30	2.35	2.40	2.44	2.49	2.54	2.58	2.63	2.68	2.77
600°	2.00	2.04	2.08	2.12	2.16	2.20	2.24	2.29	2.33	2.38	2.42	2.47	2.50	2.56	2.61	2.66	2.71	2.77	2.80	2.90
650°	2.10	2.14	2.18	2.22	2.26	2.31	2.35	2.40	2.44	2.49	2.54	2.58	2.63	2.68	2.74	2.79	2.84	2.90	2.94	3.04
700°	2.19	2.23	2.27	2.32	2.36	2.41	2.46	2.50	2.55	2.60	2.65	2.70	2.75	2.80	2.86	2.91	2.97	3.03	3.06	3.18
750°	2.28	2.33	2.37	2.42	2.47	2.51	2.56	2.61	2.66	2.71	2.76	2.81	2.87	2.92	2.98	3.04	3.10	3.16	3.19	3.31
800°	2.38	2.43	2.48	2.52	2.57	2.62	2.66	2.72	2.76	2.81	2.86	2.90	2.98	3.02	3.10	3.14	3.21	3.26	3.33	3.45
850°	2.47	2.52	2.57	2.62	2.67	2.72	2.76	2.82	2.87	2.92	2.97	3.02	3.09	3.14	3.21	3.26	3.33	3.38	3.46	3.58
900°	2.57	2.62	2.67	2.72	2.76	2.83	2.88	2.93	2.98	3.03	3.08	3.14	3.21	3.26	3.34	3.39	3.47	3.52	3.60	3.73
950°	2.66	2.72	2.77	2.82	2.87	2.92	2.98	3.03	3.08	3.14	3.19	3.24	3.32	3.38	3.46	3.51	3.58	3.64	3.72	3.86
1000°	2.76	2.82	2.87	2.92	2.98	3.04	3.09	3.14	3.20	3.26	3.31	3.37	3.45	3.50	3.59	3.64	3.72	3.78	3.86	4.00

Procedure for Using Correction Factors

The density of air at 70°F and 29.92" barometric pressure (sea level) is .075 lbs./cu. ft. and all fan performance tables shown herein have been developed at this standard density. When either temperature or barometric pressure deviates from the

above, a change in density obviously results, thus changing fan BHP requirements (system capacity and pressure requirements being fixed by design conditions). In order to use standard performance tables to determine correct BHP

when installation environment involves either or both non-standard temperature and barometric pressure, the following density correction factor table has been developed through applicable physical laws.

Example: Use of correction factor table.

Requirement: An industrial fan to deliver 9640 CFM at 8" SP at 450°F and 4000 ft. above sea level.

Data needed to fill requirements:
Fan size, BHP and RPM.

1 From the table above, the correction factor for 450°F and 4000 ft. above sea level is 2.0.

2 8" SP (Design S.P.) x 2.0 equals 16" S.P. (S.P. corrected to 70°F at sea level).

3 Select from performance table a blower to deliver 9640 CFM at 16" S.P. Best selection indicates a No. M21 industrial fan, Type I.E. at 1519 RPM and 39.32 BHP.

4 Correct BHP by dividing 39.32 BHP by 2.0. This equals 19.66 BHP (correct for 450°F at 4000 ft. altitude).

Recommended selection: Peerless Blowers Industrial Fan, Size M21: Capacity 9640 CFM, S.P. 8", Temperature 450°F, Altitude 4000 ft., 1519 RPM and 19.66 BHP.

Note: Caution should be exercised in selecting the motor sizes for operating fans handling high temperature air. If the operation of the system is such that there is a build-up period starting with lower temperature air, this will result in the fan requiring more horsepower during that period and a motor size should be selected for the most severe condition.

OPERATING DATA

Maximum Safe RPM for Standard Duty

Consult Factory for Maximum Safe RPM for Heavy Duty.

TEMPERATURE	SIZE										
	9	11	13	15	17	19	21	23	26	29	33
-20°F To 600°F	3668	2994	2534	2193	1933	1736	1569	1433	1270	1135	997
601°F To 700°F	3118	2545	2154	1864	1643	1476	1334	1218	1080	965	847
701°F To 800°F	2568	2096	1774	1535	1353	1215	1098	1003	889	795	689

CONSTRUCTION FEATURES

General

Housings are made of prime steel plate, continuously welded, and rigidly braced. Wheels are made of heavy steel plate, all welded and dynamically balanced. Standard paint finish is baked polyester over phosphatize-cleaned steel. Various corrosion resistant coatings are available — refer to Peerless Blowers Catalog No. 35-300 “Special Paints and Protective Coatings.”

Static and Dynamic Balancing

Completed wheel assemblies of all sizes are statically and dynamically balanced on electronically controlled

balancing machines. The necessary weights are arc welded into place so that the wheel will always stay in balance. After complete blowers are assembled, they are all given a running-in inspection and again examined for balance by a portable electronic balancing unit. Inspectors add balance weights to the wheel if necessary to pass a very rigid inspection requirement.

Standard Duty Construction

This construction includes standard wheel, housing, shaft and bearing. All wheel types good for a maximum tip speed of 15,000 FPM.

M Wheels only are good for maximum tip speed of 18,500 FPM in standard duty construction with heavy duty shaft and bearings.

Heavy Duty Construction

This construction is available only with the M type wheels and is used for exceptional abrasive conditions. This includes heavy duty wheel, housing, shaft and bearing with a maximum operating limit of 15,000 FPM tip speed.

BEARINGS

Industrial Blowers are equipped with self-aligning single row ball bearings, double row spherical roller one-piece and two-piece housings.

Computerized selections have been made on all bearings based on radial, thrust and combined loads to give 100,000 average life hours

(AFBMA L₅₀) at the maximum design of each blower class.

Bearings selected have effective seals to retain the lubricant and to prevent against contamination. All have grease fittings for re-lubrication.

Bearings are available for 400,000 average life hours (AFBMA L₅₀).

For high temperature application, the inboard bearing is protected by a cast aluminum heat slinger at system air temperatures of 250°F to 600°F, with both bearings furnished with hi-temp grease. Above 600°F, consult factory.

Standards adopted for spark-resistant fans AMCA Standard 99-0401-86

Spark Resistant — Type A:

AMCA Standards require that all parts of the fan in contact with the air or gas being handled shall be made of non-ferrous material.

Spark Resistant — Type B:

AMCA Standards require that the fan to have the wheel and ring about the opening through which the shaft passes of non-ferrous material. Ferrous hubs, shafts and hardware are permitted. Fans for this condition are furnished with a non-ferrous wheel (except hub and hardware) and a non-ferrous shaft seal around the shaft opening.

Spark Resistant — Type C:

AMCA standards require the fan to be so constructed that a shift of the wheel or shaft will not permit two ferrous parts of the fan to rub or strike. Fans for this condition will be furnished with a non-ferrous inlet cone and rubbing plate around the shaft opening.

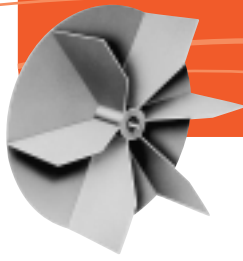
Note: For all type spark resistant fans, the user shall electrically ground all fan parts. Either A or B construction conforms to requirements of National Board of Fire Underwriters Pamphlet No. 91 for fans handling flammable vapors. Bearings shall not be placed in the air or gas stream. A non-ferrous material shall be any

material with less than 5% iron or other material with demonstrated ability to be spark resistant.

The use of these constructions in no way implies a guarantee of safety for any level of spark resistance. Spark resistant construction does not protect against ignition of explosive gases caused by catastrophic failure or from any airstream material that may be present in a system.

Spark-proof construction available in Arrangements 1, 8, 9, and 10 only.

Reprinted from AMCA publication 99 with the expressed written permission from the Air Movement and Control Association International, Inc., 30 West University Drive, Arlington Heights, IL 60004-1893.



PEERLESS BLOWERS INDUSTRIAL FAN PERFORMANCE TABLE

L-07

OUTLET _____
0.277 SQ. FT. INSIDE AREA
6" x 7" OUTSIDE DIAMETER

WHEEL DIAMETER — 12 1/8"
TIP SPEED (FPM) = 3.207 X RPM

INLET _____
0.267 SQ. FT. INSIDE AREA
7 1/4" OUTSIDE DIAMETER

VOL. CFM	OUTLET VEL. FPM	1 S.P.		1.5 S.P.		2 S.P.		3 S.P.		4 S.P.		5 S.P.		6 S.P.		7 S.P.		8 S.P.	
		RPM	BHP	RPM	BHP	RPM	BHP	RPM	BHP	RPM	BHP	RPM	BHP	RPM	BHP	RPM	BHP	RPM	BHP
277	1000	1164	0.09	1393	0.13	1590	0.18	1926	0.29	2211	0.41								
332	1200	1199	0.11	1422	0.16	1615	0.21	1945	0.33	2227	0.46	2478	0.60						
388	1400	1240	0.13	1456	0.18	1644	0.25	1968	0.38	2247	0.52	2496	0.67	2722	0.82				
443	1600	1286	0.15	1495	0.21	1678	0.28	1996	0.42	2271	0.58	2516	0.74	2740	0.90	2948	1.08		
499	1800	1336	0.18	1538	0.24	1716	0.32	2027	0.47	2298	0.64	2540	0.81	2762	0.99	2967	1.17	3160	1.36
554	2000	1391	0.21	1585	0.28	1758	0.36	2063	0.52	2328	0.70	2567	0.88	2786	1.07	2990	1.27	3180	1.48
609	2200	1449	0.25	1636	0.32	1804	0.41	2101	0.58	2362	0.77	2597	0.96	2814	1.17	3015	1.37	3203	1.59
665	2400	1510	0.29	1690	0.37	1853	0.46	2143	0.64	2399	0.84	2630	1.05	2844	1.26	3042	1.48	3229	1.71
720	2600	1573	0.34	1747	0.43	1904	0.52	2187	0.71	2438	0.92	2666	1.14	2876	1.36	3073	1.59	3257	1.82
776	2800	1639	0.39	1806	0.49	1959	0.58	2235	0.79	2480	1.00	2704	1.23	2912	1.47	3105	1.71	3288	1.96
831	3000	1707	0.45	1868	0.55	2016	0.66	2284	0.87	2525	1.09	2745	1.33	2949	1.58	3141	1.83	3321	2.09
886	3200	1776	0.52	1932	0.63	2075	0.74	2337	0.96	2572	1.19	2788	1.44	2989	1.70	3178	1.96	3356	2.23
942	3400	1847	0.60	1998	0.71	2137	0.82	2391	1.06	2622	1.30	2834	1.56	3031	1.82	3217	2.10	3393	2.38
997	3600	1919	0.68	2065	0.80	2200	0.92	2448	1.16	2673	1.42	2881	1.68	3076	1.96	3259	2.24	3432	2.54
1053	3800	1992	0.77	2134	0.90	2265	1.02	2506	1.28	2726	1.54	2931	1.82	3122	2.10	3302	2.40	3474	2.70
1108	4000	2066	0.87	2204	1.00	2331	1.14	2566	1.40	2782	1.68	2982	1.96	3170	2.26	3348	2.56	3516	2.87
1163	4200	2141	0.98	2275	1.12	2399	1.26	2628	1.54	2839	1.82	3035	2.12	3220	2.42	3395	2.73	3561	3.05
1219	4400			2347	1.24	2468	1.39	2692	1.68	2897	1.98	3090	2.28	3271	2.59	3443	2.92	3608	3.25
1274	4600			2420	1.38	2538	1.53	2756	1.84	2958	2.15	3146	2.46	3325	2.78	3494	3.11	3656	3.45
1330	4800			2494	1.52	2609	1.68	2822	2.00	3019	2.32	3204	2.65	3379	2.98	3546	3.32	3705	3.67
1385	5000			2568	1.68	2681	1.84	2889	2.18	3082	2.51	3264	2.85	3435	3.19	3599	3.54	3756	3.90
1440	5200			2643	1.84	2754	2.02	2958	2.36	3146	2.71	3324	3.06	3493	3.41	3654	3.77	3809	4.14
1496	5400					2827	2.20	3027	2.56	3212	2.92	3386	3.29	3552	3.65	3711	4.02	3863	4.40
1551	5600					2901	2.40	3097	2.77	3278	3.15	3449	3.52	3612	3.90	3768	4.28	3918	4.67
1607	5800					2975	2.61	3167	3.00	3345	3.39	3513	3.77	3673	4.16	3827	4.55	3974	4.95

VOL. CFM	OUTLET VEL. FPM	9 S.P.		10 S.P.		11 S.P.		12 S.P.		13 S.P.		14 S.P.		15 S.P.		16 S.P.		17 S.P.	
		RPM	BHP	RPM	BHP	RPM	BHP	RPM	BHP	RPM	BHP	RPM	BHP	RPM	BHP	RPM	BHP	RPM	BHP
609	2200	3382	1.81	3552	2.04	3714	2.27	3869	2.50	4019	2.74	4163	2.99	4303	3.24	4438	3.49	4569	3.74
665	2400	3406	1.94	3574	2.18	3735	2.42	3890	2.67	4038	2.92	4182	3.18	4320	3.44	4455	3.70	4585	3.97
720	2600	3433	2.08	3599	2.33	3759	2.58	3912	2.84	4060	3.10	4202	3.37	4340	3.64	4474	3.92	4604	4.20
776	2800	3461	2.22	3627	2.48	3785	2.74	3937	3.01	4083	3.29	4225	3.57	4362	3.85	4494	4.14	4624	4.43
831	3000	3492	2.36	3656	2.63	3813	2.91	3963	3.19	4109	3.48	4249	3.77	4385	4.07	4517	4.37	4645	4.67
886	3200	3526	2.51	3687	2.80	3843	3.09	3992	3.38	4136	3.68	4275	3.98	4410	4.29	4541	4.60	4669	4.92
942	3400	3561	2.67	3721	2.97	3874	3.27	4022	3.57	4165	3.88	4303	4.20	4437	4.52	4568	4.84		
997	3600	3598	2.84	3756	3.14	3908	3.45	4055	3.77	4196	4.09	4333	4.42	4466	4.75	4596	5.08		
1053	3800	3637	3.01	3793	3.33	3944	3.65	4089	3.98	4229	4.31	4365	4.65	4497	4.99	4625	5.34		
1108	4000	3678	3.19	3833	3.52	3981	3.85	4125	4.19	4264	4.54	4399	4.89	4529	5.24	4656	5.60		
1163	4200	3720	3.38	3873	3.72	4021	4.07	4163	4.42	4300	4.77	4434	5.13	4563	5.50				
1219	4400	3765	3.59	3916	3.93	4061	4.29	4202	4.65	4338	5.01	4470	5.39	4599	5.76				
1274	4600	3811	3.80	3960	4.16	4104	4.52	4243	4.89	4378	5.27	4509	5.65	4636	6.04				
1330	4800	3858	4.03	4006	4.39	4148	4.77	4285	5.15	4419	5.53	4548	5.92	4674	6.32				
1385	5000	3907	4.26	4053	4.64	4193	5.02	4329	5.41	4461	5.81	4589	6.21						
1440	5200	3958	4.52	4101	4.90	4240	5.29	4374	5.69	4505	6.10	4632	6.51						
1496	5400	4009	4.78	4151	5.17	4288	5.57	4421	5.98	4550	6.40	4676	6.82						
1551	5600	4063	5.06	4202	5.46	4338	5.87	4469	6.29	4597	6.71								
1607	5800	4117	5.35	4255	5.76	4388	6.18	4518	6.61	4645	7.04								
1662	6000	4173	5.66	4309	6.08	4441	6.51	4569	6.95										
1717	6200	4229	5.99	4363	6.42	4494	6.85	4620	7.30										
1773	6400	4287	6.32	4420	6.77	4548	7.21	4673	7.67										
1828	6600	4346	6.68	4477	7.13	4604	7.59												

Data in **bold** indicates the quietest and most efficient performance.
 BHP does not include drive losses.
 Performance shown is for Industrial Fans with inlet and outlet ducts.



PEERLESS BLOWERS INDUSTRIAL FAN PERFORMANCE TABLE

M-09

OUTLET _____
0.44 SQ. FT. INSIDE AREA
9" x 7 1/2" OUTSIDE DIAMETER

WHEEL DIAMETER — 15 5/8"
TIP SPEED (FPM) = 4.09 X RPM

INLET _____
0.44 SQ. FT. INSIDE AREA
9 1/4" OUTSIDE DIAMETER

VOL. CFM	OUTLET VEL. FPM	1 S.P.		2 S.P.		3 S.P.		4 S.P.		5 S.P.		6 S.P.		7 S.P.		8 S.P.		9 S.P.		10 S.P.	
		RPM	BHP	RPM	BHP	RPM	BHP	RPM	BHP	RPM	BHP	RPM	BHP	RPM	BHP	RPM	BHP	RPM	BHP	RPM	BHP
440	1000	880	0.12																		
528	1200	906	0.15	1223	0.29																
616	1400	943	0.18	1243	0.34	1492	0.52														
704	1600	986	0.22	1268	0.39	1511	0.58	1722	0.79												
792	1800	1032	0.27	1300	0.45	1533	0.65	1739	0.87	1926	1.11										
880	2000	1079	0.32	1338	0.52	1558	0.73	1761	0.96	1944	1.21	2112	1.47								
968	2200	1127	0.38	1380	0.60	1591	0.82	1785	1.06	1965	1.32	2130	1.60	2284	1.88						
1056	2400	1177	0.45	1425	0.69	1628	0.92	1813	1.17	1988	1.44	2151	1.73	2303	2.03	2446	2.34	2583	2.66		
1144	2600	1227	0.53	1472	0.78	1670	1.03	1847	1.30	2014	1.58	2174	1.88	2324	2.19	2465	2.51	2599	2.84	2728	3.19
1232	2800	1279	0.62	1519	0.89	1714	1.16	1886	1.44	2047	1.73	2200	2.03	2347	2.36	2487	2.69	2619	3.04	2746	3.39
1320	3000	1331	0.72	1567	1.01	1760	1.30	1928	1.59	2083	1.89	2230	2.20	2373	2.54	2510	2.89	2641	3.25	2766	3.62
1408	3200	1384	0.82	1616	1.14	1806	1.45	1972	1.76	2123	2.07	2265	2.40	2402	2.74	2536	3.09	2665	3.47	2788	3.85
1496	3400	1438	0.94	1666	1.28	1854	1.62	2017	1.94	2165	2.27	2304	2.61	2437	2.96	2565	3.32	2690	3.70	2812	4.09
1584	3600	1493	1.08	1716	1.44	1901	1.79	2064	2.14	2209	2.49	2345	2.83	2474	3.19	2600	3.57	2719	3.95	2838	4.35
1672	3800	1548	1.22	1767	1.61	1950	1.98	2111	2.35	2255	2.72	2388	3.08	2514	3.45	2636	3.83	2754	4.23	2867	4.63
1760	4000	1604	1.38	1819	1.79	1999	2.18	2158	2.58	2301	2.96	2433	3.34	2557	3.73	2675	4.12	2790	4.53	2902	4.95
1848	4200	1661	1.55	1871	1.98	2049	2.40	2206	2.81	2348	3.22	2479	3.62	2601	4.02	2717	4.43	2829	4.85	2937	5.27
1936	4400	1718	1.74	1924	2.19	2099	2.63	2255	3.07	2395	3.50	2525	3.92	2646	4.34	2760	4.76	2870	5.19	2976	5.63
2024	4600	1775	1.94	1978	2.42	2150	2.88	2304	3.34	2443	3.79	2572	4.23	2692	4.67	2805	5.11	2913	5.56	3017	6.00
2112	4800	1834	2.16	2032	2.66	2202	3.15	2354	3.62	2492	4.09	2619	4.56	2739	5.02	2851	5.48	2958	5.94	3060	6.41
2200	5000	1892	2.40	2087	2.92	2254	3.43	2404	3.93	2541	4.42	2667	4.91	2786	5.39	2897	5.87	3003	6.35	3104	6.83
2288	5200	1951	2.66	2142	3.20	2307	3.73	2455	4.25	2590	4.76	2715	5.27	2833	5.78	2944	6.28	3049	6.78	3149	7.27
2376	5400	2011	2.93	2197	3.50	2360	4.05	2506	4.59	2640	5.12	2764	5.66	2881	6.18	2991	6.71	3095	7.23	3195	7.74
2464	5600	2070	3.22	2253	3.81	2413	4.39	2558	4.95	2690	5.51	2814	6.06	2929	6.61	3038	7.15	3142	7.69	3241	8.23
2552	5800	2130	3.54	2309	4.15	2467	4.74	2610	5.33	2741	5.91	2863	6.48	2978	7.05	3086	7.62	3189	8.18	3288	8.74

VOL. CFM	OUTLET VEL. FPM	11 S.P.		12 S.P.		13 S.P.		14 S.P.		15 S.P.		16 S.P.		17 S.P.		18 S.P.		19 S.P.		20 S.P.	
		RPM	BHP	RPM	BHP	RPM	BHP	RPM	BHP	RPM	BHP	RPM	BHP	RPM	BHP	RPM	BHP	RPM	BHP	RPM	BHP
1144	2600	2852	3.54																		
1232	2800	2867	3.76	2984	4.13																
1320	3000	2886	3.99	3001	4.38	3113	4.77	3222	5.17												
1408	3200	2907	4.24	3021	4.64	3131	5.04	3238	5.46	3342	5.88	3444	6.31								
1496	3400	2930	4.50	3043	4.91	3152	5.33	3257	5.76	3360	6.19	3460	6.63	3557	7.08	3653	7.54				
1584	3600	2954	4.77	3066	5.20	3174	5.63	3278	6.07	3380	6.52	3479	6.97	3575	7.43	3669	7.90	3761	8.38	3852	8.86
1672	3800	2980	5.06	3090	5.50	3197	5.94	3301	6.40	3402	6.86	3500	7.33	3595	7.80	3688	8.28	3779	8.77	3868	9.26
1760	4000	3009	5.37	3117	5.82	3222	6.27	3325	6.74	3424	7.22	3522	7.70	3616	8.19	3709	8.68	3799	9.18	3887	9.69
1848	4200	3044	5.72	3147	6.16	3249	6.62	3350	7.10	3449	7.59	3545	8.08	3639	8.59	3730	9.09	3820	9.61	3907	10.13
1936	4400	3080	6.08	3182	6.54	3280	7.00	3378	7.48	3475	7.98	3570	8.49	3663	9.00	3753	9.53	3842	10.05	3929	10.59
2024	4600	3119	6.46	3218	6.93	3316	7.42	3409	7.90	3503	8.40	3596	8.91	3688	9.44	3778	9.97	3866	10.52	3952	11.06
2112	4800	3159	6.88	3256	7.35	3351	7.84	3444	8.34	3536	8.85	3626	9.36	3715	9.90	3804	10.44	3891	11.00	3976	11.56
2200	5000	3202	7.31	3297	7.80	3390	8.30	3481	8.81	3571	9.33	3659	9.86	3745	10.39	3832	10.94	3917	11.50	4001	12.07
2288	5200	3246	7.77	3340	8.28	3431	8.79	3520	9.31	3608	9.83	3695	10.37	3781	10.92	3863	11.47	3946	12.03	4029	12.61
2376	5400	3291	8.26	3383	8.78	3473	9.30	3561	9.83	3647	10.37	3732	10.92	3816	11.47	3900	12.05	3979	12.61	4059	13.19
2464	5600	3337	8.77	3428	9.30	3517	9.84	3604	10.38	3688	10.93	3772	11.49	3854	12.06	3934	12.63	4014	13.21	4093	13.80
2552	5800	3383	9.30	3474	9.85	3562	10.40	3647	10.96	3731	11.53	3813	12.10	3893	12.67	3973	13.26	4051	13.85	4128	14.45
2640	6000	3429	9.85	3520	10.42	3607	10.99	3692	11.57	3774	12.15	3855	12.73	3935	13.32	4013	13.91	4090	14.51	4166	15.12
2728	6200	3476	10.42	3566	11.02	3653	11.31	3737	12.20	3819	12.80	3899	13.39	3977	13.99	4054	14.60	4130	15.21	4205	15.84
2816	6400	3523	11.02	3613	11.63	3699	12.25	3783	12.86	3864	13.47	3943	14.08	4021	14.70	4097	15.32	4172	15.95	4245	16.58
2904	6600	3571	11.64	3660	12.28	3746	12.91	3829	13.54	3910	14.17	3989	14.80	4066	15.44	4141	16.07	4215	16.71	4287	17.36

Data in **bold** indicates the quietest and most efficient performance.
 BHP does not include drive losses.
 Performance shown is for Industrial Fans with inlet and outlet ducts.
 Data in **orange background** applies to heavy duty shaft and bearings.



PEERLESS BLOWERS INDUSTRIAL FAN PERFORMANCE TABLE

M-11

OUTLET _____
0.657 SQ. FT. INSIDE AREA
11" x 9 1/16" OUTSIDE DIAMETER

WHEEL DIAMETER — 19 1/8"
TIP SPEED (FPM) = 5.01 X RPM

INLET _____
0.66 SQ. FT. INSIDE AREA
11 1/4" OUTSIDE DIAMETER

VOL. CFM	OUTLET VEL. FPM	1 S.P.		2 S.P.		3 S.P.		4 S.P.		5 S.P.		6 S.P.		7 S.P.		8 S.P.		9 S.P.		10 S.P.	
		RPM	BHP	RPM	BHP	RPM	BHP	RPM	BHP	RPM	BHP	RPM	BHP	RPM	BHP	RPM	BHP	RPM	BHP	RPM	BHP
657	100	720	0.18																		
788	1200	742	0.22	1001	0.44																
920	1400	771	0.27	1017	0.50	1221	0.77														
1051	1600	807	0.33	1037	0.58	1236	0.87	1409	1.18												
1183	1800	844	0.40	1064	0.67	1254	0.97	1423	1.30	1576	1.65										
1314	2000	883	0.48	1094	0.77	1275	1.09	1441	1.44	1590	1.81	1728	2.20								
1445	2200	922	0.57	1129	0.89	1302	1.22	1460	1.58	1607	1.98	1743	2.39	1869	2.81						
1577	2400	963	0.68	1166	1.02	1332	1.37	1483	1.75	1627	2.16	1760	2.59	1884	3.03	2001	3.50	2113	3.98		
1708	2600	1004	0.79	1204	1.17	1366	1.55	1511	1.94	1648	2.36	1779	2.80	1902	3.27	2017	3.75	2127	4.25	2232	4.76
1840	2800	1046	0.92	1243	1.34	1402	1.74	1543	2.15	1674	2.58	1800	3.04	1921	3.52	2035	4.03	2143	4.54	2247	5.07
1971	3000	1089	1.07	1282	1.51	1440	1.95	1577	2.38	1704	2.82	1825	3.29	1941	3.79	2054	4.31	2161	4.85	2263	5.40
2102	3200	1133	1.23	1322	1.71	1478	2.17	1613	2.63	1737	3.10	1853	3.58	1965	4.09	2075	4.62	2180	5.18	2281	5.75
2234	3400	1177	1.41	1363	1.92	1517	2.42	1651	2.90	1771	3.39	1885	3.89	1994	4.42	2098	4.96	2201	5.53	2301	6.12
2365	3600	1222	1.61	1404	2.15	1556	2.68	1688	3.20	1808	3.71	1919	4.23	2024	4.77	2127	5.33	2225	5.90	2322	6.50
2497	3800	1267	1.83	1446	2.40	1596	2.96	1727	3.51	1845	4.06	1954	4.60	2057	5.16	2156	5.73	2253	6.32	2346	6.92
2628	4000	1313	2.06	1488	2.67	1636	3.26	1766	3.85	1883	4.42	1991	4.99	2092	5.57	2189	6.16	2282	6.76	2374	7.39
2759	4200	1359	2.32	1531	2.96	1676	3.59	1805	4.20	1921	4.81	2028	5.41	2128	6.01	2223	6.62	2314	7.24	2403	7.88
2891	4400	1406	2.60	1574	3.28	1718	3.93	1845	4.58	1960	5.22	2066	5.85	2165	6.48	2259	7.11	2348	7.75	2435	8.41
3022	4600	1453	2.91	1618	3.61	1759	4.30	1885	4.98	1999	5.66	2104	6.32	2203	6.98	2295	7.64	2384	8.30	2469	8.97
3154	4800	1500	3.23	1662	3.98	1802	4.70	1926	5.41	2039	6.12	2143	6.81	2241	7.50	2333	8.19	2420	8.88	2504	9.57
3285	5000	1548	3.59	1707	4.37	1844	5.12	1967	5.86	2079	6.60	2182	7.33	2279	8.06	2370	8.77	2457	9.48	2540	10.20
3416	5200	1596	3.97	1752	4.78	1887	5.57	2008	6.35	2119	7.11	2222	7.88	2318	8.63	2409	9.38	2495	10.12	2577	10.87
3548	5400	1645	4.38	1797	5.22	1931	6.05	2050	6.86	2160	7.65	2262	8.45	2357	9.24	2447	10.02	2533	10.79	2614	11.56
3679	5600	1694	4.82	1843	5.69	1974	6.55	2093	7.39	2201	8.22	2302	9.05	2396	9.87	2486	10.69	2571	11.49	2652	12.29
3811	5800	1743	5.28	1889	6.20	2019	7.09	2135	7.96	2242	8.83	2342	9.68	2436	10.54	2525	11.38	2610	12.22	2690	13.06

VOL. CFM	OUTLET VEL. FPM	11 S.P.		12 S.P.		13 S.P.		14 S.P.		15 S.P.		16 S.P.		17 S.P.		18 S.P.		19 S.P.		20 S.P.	
		RPM	BHP	RPM	BHP	RPM	BHP	RPM	BHP	RPM	BHP	RPM	BHP	RPM	BHP	RPM	BHP	RPM	BHP	RPM	BHP
1708	2600	2334	5.29																		
1840	2800	2346	5.61	2442	6.17																
1971	3000	2361	5.96	2456	6.54	2547	7.13	2636	7.73												
2102	3200	2378	6.33	2472	6.93	2562	7.53	2649	8.15	2734	8.78	2818	9.43								
2234	3400	2397	6.72	2489	7.33	2579	7.96	2665	8.60	2749	9.25	2831	9.91	2911	10.58	2989	11.26				
2365	3600	2417	7.13	2508	7.76	2597	8.41	2682	9.07	2766	9.73	2846	10.41	2925	11.10	3002	11.80	3077	12.51	3151	13.24
2497	3800	2438	7.56	2528	8.21	2616	8.88	2701	9.56	2783	10.25	2863	10.94	2941	11.65	3018	12.37	3092	13.10	3165	13.84
2628	4000	2462	8.02	2550	8.69	2636	9.37	2720	10.07	2802	10.78	2881	11.50	2959	12.23	3034	12.97	3108	13.71	3180	14.47
2759	4200	2491	8.54	2575	9.20	2658	9.89	2741	10.61	2822	11.34	2900	12.08	2977	12.83	3052	13.59	3125	14.35	3197	15.13
2891	4400	2520	9.08	2604	9.77	2683	10.46	2764	11.18	2843	11.92	2921	12.68	2997	13.45	3071	14.23	3144	15.02	3215	15.82
3022	4600	2552	9.65	2633	10.35	2713	11.08	2789	11.80	2866	12.54	2942	13.31	3017	14.10	3091	14.90	3163	15.71	3233	16.53
3154	4800	2585	10.27	2664	10.99	2742	11.71	2818	12.46	2893	13.22	2966	13.99	3040	14.79	3112	15.60	3183	16.43	3253	17.27
3285	5000	2620	10.92	2698	11.66	2774	12.40	2848	13.16	2922	13.93	2994	14.72	3064	15.52	3135	16.34	3205	17.18	3274	18.03
3416	5200	2656	11.61	2732	12.36	2807	13.13	2880	13.90	2952	14.69	3023	15.49	3093	16.31	3161	17.13	3229	17.98	3296	18.84
3548	5400	2693	12.34	2768	13.11	2842	13.89	2914	14.69	2984	15.49	3054	16.31	3122	17.14	3191	18.00	3255	18.83	3321	19.70
3679	5600	2730	13.09	2805	13.89	2878	14.70	2948	15.51	3018	16.33	3086	17.16	3153	18.01	3219	18.87	3284	19.74	3349	20.62
3811	5800	2768	13.89	2842	14.71	2914	15.54	2984	16.38	3052	17.22	3120	18.07	3185	18.93	3250	19.80	3314	20.68	3378	21.58
3942	6000	2806	14.71	2880	15.57	2951	16.42	3021	17.28	3088	18.14	3154	19.02	3219	19.89	3283	20.78	3346	21.68	3408	22.59
4073	6200	2844	15.57	2918	16.46	2989	17.34	3058	18.23	3125	19.11	3190	20.01	3254	20.90	3317	21.81	3379	22.73	3440	23.64
4205	6400	2883	16.46	2956	17.38	3027	18.30	3095	19.21	3162	20.12	3226	21.04	3290	21.96	3352	22.89	3413	23.82	3473	24.77
4336	6600	2921	17.39	2994	18.34	3065	19.29	3133	20.23	3199	21.17	3264	22.11	3326	23.06	3388	24.01	3448	24.96	3508	25.93

Data in **bold** indicates the quietest and most efficient performance.
 BHP does not include drive losses.
 Performance shown is for Industrial Fans with inlet and outlet ducts.
 Data in **orange background** applies to heavy duty shaft and bearings.



PEERLESS BLOWERS INDUSTRIAL FAN PERFORMANCE TABLE

M-13

OUTLET _____
0.918 SQ. FT. INSIDE AREA
13" x 10 1/2" OUTSIDE DIAMETER

WHEEL DIAMETER — 22 5/8"
TIP SPEED (FPM) = 5.92 X RPM

INLET _____
0.92 SQ. FT. INSIDE AREA
13 1/4" OUTSIDE DIAMETER

VOL. CFM	OUTLET VEL. FPM	1 S.P.		2 S.P.		3 S.P.		4 S.P.		5 S.P.		6 S.P.		7 S.P.		8 S.P.		9 S.P.		10 S.P.	
		RPM	BHP	RPM	BHP	RPM	BHP	RPM	BHP	RPM	BHP	RPM	BHP	RPM	BHP	RPM	BHP	RPM	BHP	RPM	BHP
918	1000	610	0.25																		
1102	1200	628	0.31	847	0.61																
1285	1400	653	0.37	861	0.70	1033	1.08														
1469	1600	683	0.46	878	0.81	1046	1.21	1192	1.65												
1652	1800	714	0.56	900	0.93	1061	1.36	1204	1.82	1333	2.31										
1836	2000	747	0.67	926	1.08	1079	1.52	1219	2.01	1346	2.53	1462	3.07								
2020	2200	781	0.80	956	1.24	1102	1.71	1236	2.21	1360	2.76	1475	3.33	1581	3.93						
2203	2400	815	0.94	987	1.43	1127	1.92	1255	2.44	1376	3.01	1489	3.62	1594	4.24	1693	4.88	1788	5.56		
2387	2600	850	1.11	1019	1.64	1156	2.16	1279	2.70	1395	3.29	1505	3.92	1609	4.57	1707	5.24	1800	5.93	1888	6.65
2570	2800	885	1.29	1052	1.87	1187	2.43	1306	3.00	1417	3.60	1523	4.24	1625	4.92	1722	5.62	1813	6.34	1901	7.08
2754	3000	922	1.49	1085	2.11	1218	2.72	1335	3.32	1442	3.94	1544	4.60	1643	5.30	1738	6.03	1829	6.78	1915	7.54
2938	3200	958	1.72	1119	2.39	1251	3.03	1365	3.67	1469	4.32	1568	5.00	1663	5.71	1756	6.46	1845	7.23	1930	8.03
3121	3400	996	1.97	1153	2.68	1283	3.38	1397	4.06	1499	4.74	1595	5.44	1687	6.17	1775	6.92	1863	7.72	1947	8.54
3305	3600	1034	2.25	1188	3.00	1316	3.74	1429	4.47	1530	5.18	1623	5.91	1713	6.66	1800	7.45	1883	8.24	1965	9.08
3488	3800	1072	2.55	1223	3.35	1350	4.13	1461	4.91	1561	5.66	1653	6.43	1741	7.20	1825	8.00	1907	8.83	1985	9.67
3672	4000	1111	2.88	1259	3.73	1384	4.56	1494	5.37	1593	6.18	1684	6.97	1770	7.78	1852	8.60	1931	9.44	2009	10.32
3856	4200	1150	3.24	1296	4.14	1419	5.01	1527	5.87	1626	6.72	1716	7.56	1801	8.40	1881	9.25	1958	10.11	2034	11.00
4039	4400	1189	3.63	1332	4.58	1453	5.49	1561	6.40	1658	7.29	1748	8.18	1832	9.05	1911	9.94	1987	10.83	2060	11.74
4223	4600	1229	4.06	1369	5.05	1489	6.01	1595	6.96	1692	7.90	1781	8.83	1864	9.75	1942	10.67	2017	11.59	2089	12.53
4406	4800	1269	4.52	1407	5.55	1525	6.56	1629	7.56	1725	8.54	1813	9.52	1896	10.48	1974	11.44	2048	12.40	2119	13.36
4590	5000	1310	5.01	1445	6.10	1561	7.15	1664	8.19	1759	9.22	1846	10.24	1929	11.25	2006	12.25	2079	13.25	2149	14.25
4774	5200	1351	5.54	1483	6.68	1597	7.78	1699	8.86	1793	9.94	1880	11.00	1961	12.06	2038	13.10	2111	14.14	2180	15.18
4957	5400	1392	6.12	1521	7.29	1634	8.44	1735	9.57	1827	10.69	1914	11.80	1994	12.90	2071	13.99	2143	15.08	2212	16.15
5141	5600	1433	6.73	1560	7.95	1671	9.15	1771	10.33	1862	11.49	1948	12.64	2028	13.79	2103	14.93	2175	16.05	2244	17.17
5324	5800	1475	7.38	1599	8.65	1708	9.90	1807	11.12	1897	12.33	1982	13.52	2062	14.71	2137	15.90	2208	17.07	2276	18.24

VOL. CFM	OUTLET VEL. FPM	11 S.P.		12 S.P.		13 S.P.		14 S.P.		15 S.P.		16 S.P.		17 S.P.		18 S.P.		19 S.P.		20 S.P.	
		RPM	BHP	RPM	BHP	RPM	BHP	RPM	BHP	RPM	BHP	RPM	BHP	RPM	BHP	RPM	BHP	RPM	BHP	RPM	BHP
2387	2600	1975	7.39																		
2570	2800	1985	7.84	2066	8.62																
2754	3000	1998	8.33	2078	9.13	2155	9.95	2230	10.80												
2938	3200	2013	8.84	2092	9.67	2168	10.52	2242	11.38	2314	12.26	2384	13.17								
3121	3400	2028	9.38	2106	10.24	2182	11.12	2255	12.01	2326	12.91	2395	13.83	2463	14.77	2529	15.73				
3305	3600	2045	9.95	2122	10.84	2197	11.74	2270	12.66	2340	13.60	2408	14.54	2475	15.51	2540	16.48	2604	17.48	2667	18.49
3488	3800	2063	10.56	2139	11.47	2213	12.40	2285	13.35	2355	14.31	2423	15.29	2489	16.28	2553	17.28	2616	18.30	2678	19.33
3672	4000	2083	11.21	2158	12.13	2231	13.09	2302	14.06	2371	15.06	2438	16.06	2504	17.08	2567	18.11	2630	19.16	2691	20.21
3856	4200	2108	11.93	2178	12.85	2249	13.82	2319	14.82	2388	15.83	2454	16.87	2519	17.91	2583	18.97	2645	20.05	2705	21.13
4039	4400	2132	12.68	2203	13.64	2271	14.61	2338	15.61	2406	16.65	2471	17.71	2536	18.78	2599	19.87	2660	20.98	2720	22.09
4223	4600	2159	13.48	2228	14.46	2296	15.48	2360	16.47	2425	17.52	2490	18.60	2553	19.69	2615	20.81	2676	21.94	2736	23.08
4406	4800	2187	14.34	2254	15.34	2320	16.36	2385	17.40	2448	18.46	2510	19.54	2572	20.65	2633	21.79	2694	22.94	2753	24.11
4590	5000	2217	15.26	2283	16.28	2347	17.32	2410	18.38	2472	19.46	2533	20.56	2593	21.67	2653	22.82	2712	24.00	2770	25.19
4774	5200	2247	16.22	2312	17.27	2375	18.34	2437	19.42	2498	20.52	2558	21.64	2617	22.79	2674	23.93	2732	25.11	2789	26.32
4957	5400	2278	17.23	2342	18.31	2405	19.40	2465	20.51	2525	21.63	2584	22.77	2642	23.93	2700	25.14	2755	26.30	2810	27.51
5141	5600	2310	18.29	2373	19.41	2435	20.53	2495	21.66	2553	22.81	2611	23.97	2668	25.15	2724	26.35	2779	27.57	2834	28.80
5324	5800	2342	19.39	2405	20.55	2466	21.71	2525	22.87	2583	24.05	2640	25.24	2695	26.44	2750	27.66	2804	28.89	2858	30.14
5508	6000	2374	20.50	2437	21.74	2497	22.94	2556	24.14	2613	25.34	2669	26.56	2724	27.79	2778	29.03	2831	30.28	2884	31.56
5692	6200	2406	21.74	2469	22.98	2529	24.22	2587	25.46	2644	26.70	2699	27.94	2753	29.20	2807	30.46	2859	31.74	2911	33.04
5875	6400	2439	22.99	2501	24.28	2561	25.55	2619	26.83	2675	28.11	2730	29.39	2784	30.67	2836	31.97	2888	33.27	2939	34.59
6059	6600	2472	24.29	2534	25.61	2593	26.94	2651	28.26	2707	29.57	2761	30.89	2815	32.21	2867	33.53	2918	34.87	2968	36.21

Data in **bold** indicates the quietest and most efficient performance.
 BHP does not include drive losses.
 Performance shown is for Industrial Fans with inlet and outlet ducts.
 Data in **orange background** applies to heavy duty shaft and bearings.



PEERLESS BLOWERS INDUSTRIAL FAN PERFORMANCE TABLE

M-15

OUTLET _____
 1.222 SQ. FT. INSIDE AREA
 15" x 12 1/8" OUTSIDE DIAMETER

WHEEL DIAMETER — 26 1/8"
 TIP SPEED (FPM) = 6.84 X RPM

INLET _____
 1.23 SQ. FT. INSIDE AREA
 15 1/4" OUTSIDE DIAMETER

VOL. CFM	OUTLET VEL. FPM	1 S.P.		2 S.P.		3 S.P.		4 S.P.		5 S.P.		6 S.P.		7 S.P.		8 S.P.		9 S.P.		10 S.P.	
		RPM	BHP	RPM	BHP	RPM	BHP	RPM	BHP	RPM	BHP	RPM	BHP	RPM	BHP	RPM	BHP	RPM	BHP	RPM	BHP
1222	1000	528	0.33																		
1466	1200	544	0.41	734	0.81																
1711	1400	566	0.50	746	0.94	895	1.43														
1955	1600	592	0.61	761	1.07	906	1.61	1033	2.19												
2200	1800	619	0.74	780	1.24	920	1.80	1044	2.42	1156	3.08										
2444	2000	647	0.89	803	1.43	935	2.02	1056	2.67	1166	3.36	1267	4.09								
2688	2200	676	1.06	828	1.65	955	2.27	1071	2.95	1179	3.68	1278	4.44	1371	5.23						
2933	2400	706	1.26	855	1.90	977	2.55	1088	3.25	1193	4.01	1291	4.81	1382	5.64	1468	6.50	1550	7.40		
3177	2600	736	1.47	883	2.18	1002	2.87	1108	3.60	1209	4.38	1305	5.21	1395	6.08	1479	6.98	1560	7.90	1637	8.85
3422	2800	767	1.72	911	2.48	1028	3.23	1131	3.99	1228	4.79	1320	5.65	1408	6.55	1492	7.49	1572	8.44	1647	9.43
3666	3000	799	1.99	940	2.82	1056	3.62	1157	4.42	1250	5.25	1338	6.12	1424	7.05	1506	8.02	1585	9.02	1660	10.04
3910	3200	831	2.29	970	3.18	1084	4.04	1183	4.89	1274	5.76	1359	6.66	1441	7.60	1524	8.60	1599	9.63	1673	10.69
4155	3400	863	2.62	999	3.57	1112	4.49	1210	5.40	1299	6.31	1382	7.24	1462	8.21	1539	9.22	1614	10.28	1687	11.37
4399	3600	896	2.99	1030	4.00	1141	1.98	1238	5.95	1326	6.90	1407	7.87	1484	8.87	1560	9.92	1632	10.97	1703	12.10
4644	3800	929	3.39	1060	4.46	1170	5.50	1266	6.53	1353	7.54	1433	8.55	1509	9.59	1581	10.65	1652	11.75	1720	12.87
4888	4000	963	3.84	1091	4.97	1200	6.07	1295	7.15	1381	8.22	1460	9.29	1534	10.36	1605	11.45	1674	12.57	1741	13.74
5132	4200	996	4.32	1123	5.51	1229	6.67	1324	7.82	1409	8.95	1487	10.06	1561	11.18	1630	12.31	1697	13.47	1762	14.65
5377	4400	1031	4.84	1155	6.09	1260	7.31	1353	8.52	1437	9.71	1515	10.89	1588	12.05	1656	13.23	1722	14.42	1786	15.63
5621	4600	1065	5.40	1187	6.72	1290	8.00	1382	9.27	1466	10.52	1543	11.76	1615	12.98	1683	14.20	1748	15.43	1810	16.68
5866	4800	1100	6.01	1219	7.40	1321	8.74	1412	10.06	1495	11.37	1572	12.67	1643	13.95	1711	15.23	1775	16.50	1836	17.79
6110	5000	1135	6.67	1252	8.12	1353	9.52	1442	10.90	1524	12.28	1600	13.64	1671	14.98	1738	16.31	1802	17.64	1863	18.97
6354	5200	1171	7.38	1285	8.89	1384	10.36	1493	11.80	1554	13.23	1629	14.65	1700	16.05	1766	17.44	1829	18.83	1890	20.21
6599	5400	1206	8.14	1318	9.71	1416	11.24	1504	12.75	1584	14.23	1659	15.71	1728	17.18	1795	18.63	1857	20.07	1917	21.50
6843	5600	1242	8.96	1352	10.59	1448	12.18	1535	13.75	1614	15.29	1688	16.83	1757	18.36	1823	19.87	1885	21.37	1945	22.86
7088	5800	1278	9.83	1385	11.52	1480	13.18	1566	14.81	1644	16.41	1718	18.00	1787	19.59	1852	21.17	1914	22.73	1973	24.28

VOL. CFM	OUTLET VEL. FPM	11 S.P.		12 S.P.		13 S.P.		14 S.P.		15 S.P.		16 S.P.		17 S.P.		18 S.P.		19 S.P.		20 S.P.	
		RPM	BHP	RPM	BHP	RPM	BHP	RPM	BHP	RPM	BHP	RPM	BHP	RPM	BHP	RPM	BHP	RPM	BHP	RPM	BHP
3177	2600	1711	9.84																		
3422	2800	1720	10.44	1791	11.48																
3666	3000	1732	11.09	1801	12.16	1868	13.25	1933	14.37												
3910	3200	1744	11.77	1813	12.88	1879	14.01	1943	15.15	2005	16.33	2066	17.53								
4155	3400	1758	12.49	1826	13.64	1891	14.80	1954	15.99	2016	17.19	2076	18.42	2134	19.67	2192	20.95				
4399	3600	1772	13.25	1839	14.43	1904	15.64	1967	16.86	2028	18.10	2087	19.36	2145	20.64	2201	21.95	2257	23.27	2311	24.62
4644	3800	1788	14.05	1854	15.27	1918	16.51	1980	17.77	2041	19.05	2100	20.35	2157	21.67	2213	23.01	2267	24.36	2321	25.73
4888	4000	1806	14.92	1870	16.15	1933	17.43	1995	18.72	2055	20.04	2113	21.38	2170	22.74	2225	24.11	2279	25.50	2332	26.91
5132	4200	1827	15.88	1888	17.11	1949	18.40	2010	19.73	2069	21.08	2127	22.46	2183	23.85	2238	25.26	2292	26.69	2344	28.14
5377	4400	1848	16.88	1909	18.17	1968	19.45	2027	20.79	2085	22.17	2142	23.58	2198	25.01	2252	26.46	2305	27.93	2357	29.41
5621	4600	1871	17.95	1931	19.25	1990	20.61	2046	21.93	2102	23.32	2158	24.76	2213	26.22	2267	27.71	2319	29.21	2371	30.73
5866	4800	1896	19.10	1954	20.43	2011	21.78	2067	23.17	2121	24.58	2175	26.01	2229	27.49	2282	29.01	2334	30.55	2386	32.11
6110	5000	1921	20.31	1978	21.67	2034	23.06	2089	24.47	2143	25.91	2196	27.38	2247	28.85	2299	30.38	2350	31.95	2401	33.54
6354	5200	1948	21.59	2004	22.99	2059	24.41	2112	25.85	2165	27.32	2217	28.81	2268	30.34	2318	31.85	2368	33.43	2417	35.04
6599	5400	1975	22.94	2030	24.38	2084	25.83	2137	27.31	2188	28.80	2239	30.32	2289	31.86	2340	33.47	2387	35.02	2435	36.63
6843	5600	2002	24.35	2057	25.84	2110	27.33	2162	28.84	2213	30.37	2263	31.92	2312	33.49	2361	35.08	2408	36.70	2456	38.35
7088	5800	2030	25.82	2084	27.36	2137	28.90	2188	30.50	2238	32.02	2288	33.60	2336	35.20	2384	36.82	2431	38.46	2477	40.13
7332	6000	2058	27.35	2112	28.95	2164	30.54	2215	32.14	2265	33.74	2313	35.36	2361	36.99	2408	38.65	2454	40.32	2499	42.01
7576	6200	2086	28.95	2140	30.60	2192	32.25	2242	33.89	2291	35.54	2339	37.20	2386	38.87	2432	40.56	2478	42.26	2523	43.99
7821	6400	2114	30.61	2168	32.32	2220	34.02	2270	35.72	2319	37.42	2366	39.12	2413	40.83	2458	42.56	2503	44.30	2547	46.05
8065	6600	2142	32.33	2196	34.10	2248	35.86	2298	37.62	2346	39.37	2393	41.12	2439	42.88	2484	44.64	2529	46.42	2572	48.21

Data in **bold** indicates the quietest and most efficient performance.
 BHP does not include drive losses.
 Performance shown is for Industrial Fans with inlet and outlet ducts.
 Data in **orange background** applies to heavy duty shaft and bearings.



PEERLESS BLOWERS INDUSTRIAL FAN PERFORMANCE TABLE

M-17

OUTLET _____
1.57 SQ. FT. INSIDE AREA
17" x 13 3/4" OUTSIDE DIAMETER

WHEEL DIAMETER — 29 5/8"
TIP SPEED (FPM) = 7.76 X RPM

INLET _____
1.58 SQ. FT. INSIDE AREA
17 1/4" OUTSIDE DIAMETER

VOL. CFM	OUTLET VEL. FPM	1 S.P.		2 S.P.		3 S.P.		4 S.P.		5 S.P.		6 S.P.		7 S.P.		8 S.P.		9 S.P.		10 S.P.	
		RPM	BHP	RPM	BHP	RPM	BHP	RPM	BHP	RPM	BHP	RPM	BHP	RPM	BHP	RPM	BHP	RPM	BHP	RPM	BHP
1570	1000	466	0.43																		
1884	1200	480	0.52	647	1.04																
2198	1400	499	0.64	658	1.20	790	1.84														
2512	1600	522	0.79	671	1.38	800	2.07	912	2.81												
2826	1800	546	0.95	688	1.59	811	2.32	921	3.11	1020	3.95										
3140	2000	571	1.15	708	1.84	825	2.59	932	3.43	1029	4.32	1118	5.25								
3454	2200	597	1.37	731	2.12	842	2.92	945	3.79	1040	4.72	1128	5.70	1209	6.72						
3768	2400	623	1.62	755	2.45	862	3.28	960	4.18	1052	5.15	1139	6.18	1219	7.25	1295	8.35	1367	9.50		
4082	2600	650	1.89	779	2.80	884	3.69	978	4.63	1066	5.63	1151	6.70	1230	7.81	1305	8.96	1376	10.15	1444	11.37
4396	2800	677	2.21	804	3.19	907	4.15	998	5.12	1083	6.16	1165	7.25	1243	8.41	1317	9.61	1387	10.85	1454	12.11
4710	3000	705	2.56	830	3.62	932	4.65	1021	5.68	1103	6.75	1181	7.87	1256	9.06	1329	10.30	1398	11.59	1464	12.90
5024	3200	733	2.94	856	4.08	956	5.19	1044	6.28	1124	7.39	1199	8.55	1272	9.76	1342	11.04	1411	12.37	1476	13.73
5338	3400	761	3.37	882	4.58	981	5.77	1068	6.94	1146	8.10	1220	9.30	1290	10.55	1358	11.84	1424	13.20	1489	14.61
5652	3600	790	3.84	909	5.13	1007	6.40	1093	7.64	1170	8.87	1241	10.11	1310	11.39	1376	12.74	1440	14.10	1502	15.54
5966	3800	820	4.36	936	5.73	1032	7.07	1117	8.39	1194	9.69	1264	10.99	1331	12.31	1395	13.68	1458	15.10	1518	16.54
6280	4000	849	4.93	963	6.38	1059	7.79	1142	9.19	1218	10.56	1288	11.93	1354	13.30	1416	14.71	1477	16.15	1536	17.65
6594	4200	879	5.54	991	7.07	1085	8.56	1168	10.04	1243	11.49	1312	12.93	1377	14.36	1438	15.81	1498	17.30	1555	18.82
6908	4400	909	6.21	1019	7.83	1111	9.39	1194	10.94	1268	12.47	1337	13.98	1401	15.48	1461	16.99	1519	18.52	1576	20.08
7222	4600	940	6.94	1047	8.63	1138	10.28	1220	11.90	1294	13.51	1362	15.10	1425	16.67	1485	18.24	1542	19.82	1597	21.42
7536	4800	971	7.72	1076	9.50	1166	11.23	1246	12.92	1319	14.61	1387	16.28	1450	17.92	1509	19.56	1566	21.20	1620	22.85
7850	5000	1002	8.57	1105	10.43	1193	12.23	1273	14.01	1345	15.77	1412	17.51	1475	19.24	1534	20.95	1590	22.65	1643	24.36
8164	5200	1033	9.48	1134	11.42	1221	13.30	1299	15.16	1371	16.99	1438	18.81	1500	20.62	1559	22.41	1614	24.18	1667	25.95
8478	5400	1064	10.46	1163	12.47	1249	14.44	1327	16.37	1397	18.28	1463	20.18	1525	22.07	1583	23.93	1639	25.78	1692	27.62
8792	5600	1096	11.50	1193	13.60	1278	15.65	1354	17.66	1424	19.64	1490	21.62	1551	23.58	1608	25.52	1664	27.45	1716	29.36
9106	5800	1128	12.62	1222	14.80	1306	16.93	1382	19.02	1451	21.08	1516	23.12	1576	25.16	1634	27.19	1689	29.19	1741	31.18

VOL. CFM	OUTLET VEL. FPM	11 S.P.		12 S.P.		13 S.P.		14 S.P.		15 S.P.		16 S.P.		17 S.P.		18 S.P.		19 S.P.		20 S.P.	
		RPM	BHP	RPM	BHP	RPM	BHP	RPM	BHP	RPM	BHP	RPM	BHP	RPM	BHP	RPM	BHP	RPM	BHP	RPM	BHP
4082	2600	1510	12.64																		
4396	2800	1518	13.41	1580	14.74																
4710	3000	1528	14.24	1589	15.61	1648	17.02	1706	18.46												
5024	3200	1539	15.12	1599	16.54	1658	17.99	1714	19.47	1769	20.97	1823	22.52								
5338	3400	1551	16.05	1611	17.52	1669	19.01	1725	20.53	1779	22.08	1832	23.66	1883	25.26	1934	26.90				
5652	3600	1564	17.02	1623	18.54	1680	20.08	1736	21.65	1789	23.25	1842	24.87	1893	26.52	1942	28.19	1991	29.89	2039	31.62
5966	3800	1578	18.05	1636	19.61	1693	21.21	1747	22.83	1801	24.47	1853	26.14	1903	27.83	1953	29.55	2001	31.29	2048	33.05
6280	4000	1593	19.16	1650	20.75	1706	22.38	1760	24.05	1813	25.74	1864	27.46	1914	29.21	1963	30.97	2011	32.76	2058	34.57
6594	4200	1612	20.39	1666	21.97	1720	23.63	1774	25.34	1826	27.08	1877	28.84	1926	30.63	1975	32.45	2022	34.28	2069	36.14
6908	4400	1630	21.68	1685	23.33	1736	24.98	1788	26.70	1840	28.48	1890	30.29	1939	32.12	1987	33.99	2034	35.87	2080	37.78
7222	4600	1651	23.06	1703	24.73	1756	26.47	1805	28.17	1855	29.96	1904	31.80	1952	33.68	2000	35.59	2047	37.52	2092	39.47
7536	4800	1673	24.53	1724	26.24	1774	27.98	1824	29.76	1872	31.57	1919	33.41	1967	35.32	2014	37.26	2060	39.24	2105	41.24
7850	5000	1695	26.09	1746	27.84	1795	29.62	1843	31.43	1891	33.28	1937	35.16	1983	37.06	2029	39.02	2074	41.03	2118	43.08
8164	5200	1718	27.73	1768	29.53	1816	31.35	1864	33.20	1910	35.09	1956	37.00	2001	38.97	2045	40.91	2089	42.93	2133	45.00
8478	5400	1742	29.46	1791	31.31	1839	33.18	1885	35.08	1931	37.00	1976	38.95	2020	40.93	2065	42.99	2106	44.98	2149	47.05
8792	5600	1766	31.27	1815	33.18	1862	35.11	1908	37.05	1953	39.01	1997	41.00	2040	43.01	2083	45.06	2125	47.14	2167	49.25
9106	5800	1791	33.16	1839	35.14	1886	37.12	1931	39.11	1975	41.12	2019	43.15	2061	45.21	2103	47.29	2145	49.40	2186	51.55
9420	6000	1815	35.13	1863	37.18	1910	39.23	1954	41.28	1998	43.34	2041	45.42	2083	47.52	2124	49.64	2165	51.79	2205	53.96
9734	6200	1840	37.18	1888	39.31	1934	41.42	1978	43.53	2022	46.65	2064	47.78	2106	49.93	2146	52.09	2186	54.28	2226	56.50
10048	6400	1865	39.32	1913	41.51	1958	43.70	2003	45.88	2046	48.06	2088	50.25	2129	52.45	2169	54.66	2208	56.90	2247	59.15
10362	6600	1890	41.53	1938	43.80	1983	46.07	2027	48.32	2070	50.57	2112	52.82	2152	55.07	2192	57.34	2231	59.62	2270	61.92

Data in **bold** indicates the quietest and most efficient performance.
 BHP does not include drive losses.
 Performance shown is for Industrial Fans with inlet and outlet ducts.
 Data in **orange background** applies to heavy duty shaft and bearings.



PEERLESS BLOWERS INDUSTRIAL FAN PERFORMANCE TABLE

M-19

OUTLET _____
1.961 SQ. FT. INSIDE AREA
19" x 15 3/8" OUTSIDE DIAMETER

WHEEL DIAMETER — 33"
TIP SPEED (FPM) = 8.64 X RPM

INLET _____
1.97 SQ. FT. INSIDE AREA
19 1/4" OUTSIDE DIAMETER

VOL. CFM	OUTLET VEL. FPM	1 S.P.		2 S.P.		3 S.P.		4 S.P.		5 S.P.		6 S.P.		7 S.P.		8 S.P.		9 S.P.		10 S.P.	
		RPM	BHP	RPM	BHP	RPM	BHP	RPM	BHP	RPM	BHP	RPM	BHP	RPM	BHP	RPM	BHP	RPM	BHP	RPM	BHP
1961	1000	417	0.54																		
2353	1200	429	0.65	579	1.30																
2745	1400	447	0.80	589	1.50	707	2.30														
3138	1600	467	0.98	601	1.72	716	2.58	816	3.52												
3530	1800	489	1.19	616	1.99	726	2.89	824	3.88	912	4.94										
3922	2000	511	1.43	634	2.30	738	3.24	834	4.29	921	5.40	1000	6.56								
4314	2200	534	1.71	654	3.65	754	3.64	845	4.73	931	5.90	1009	7.12	1082	8.40						
4706	2400	557	2.02	675	3.05	771	4.10	859	5.22	942	6.44	1019	7.72	1091	9.05	1159	10.43	1223	11.87		
5099	2600	581	2.37	697	3.50	791	4.61	875	5.78	954	7.03	1030	8.37	1101	9.76	1168	11.20	1231	12.68	1292	14.20
5491	2800	606	2.76	720	3.99	812	5.18	893	6.40	969	7.69	1042	9.06	1112	10.51	1178	12.01	1241	13.55	1301	15.13
5883	3000	631	3.19	742	4.52	834	5.81	913	7.09	987	8.43	1056	9.83	1124	11.32	1189	12.87	1251	14.47	1310	16.11
6275	3200	656	3.68	766	5.10	856	6.48	934	7.85	1005	9.24	1073	10.68	1138	12.19	1201	13.79	1262	15.45	1321	17.15
6667	3400	681	4.21	789	5.73	878	7.21	956	8.66	1026	10.12	1091	11.62	1154	13.17	1215	14.79	1274	16.49	1332	18.25
7060	3600	707	4.80	813	6.41	901	7.99	978	9.54	1047	11.08	1111	12.63	1172	14.23	1232	15.91	1288	17.61	1344	19.41
7452	3800	733	5.45	837	7.16	924	8.83	1000	10.48	1068	12.10	1131	13.72	1191	15.38	1248	17.09	1305	18.86	1358	20.66
7844	4000	760	6.15	862	7.97	947	9.73	1022	11.48	1090	13.19	1163	14.90	1211	16.62	1267	18.37	1321	20.18	1375	22.05
8236	4200	787	6.92	886	8.84	971	10.70	1045	12.54	1112	14.35	1174	16.15	1232	17.94	1287	19.75	1340	21.60	1391	23.50
8628	4400	814	7.76	912	9.78	994	11.73	1068	13.67	1135	15.58	1196	17.47	1253	19.34	1308	21.22	1360	23.13	1410	25.08
9021	4600	841	8.67	937	10.78	1019	12.84	1091	14.87	1157	16.88	1218	18.86	1275	20.83	1329	22.78	1380	24.76	1429	26.76
9413	4800	869	9.65	962	11.87	1043	14.02	1115	16.14	1180	18.25	1241	20.33	1297	22.39	1350	24.43	1401	26.48	1450	28.55
9805	5000	896	10.71	988	13.02	1068	15.28	1139	17.50	1204	19.70	1263	21.88	1320	24.03	1372	26.17	1422	18.30	1470	30.43
10197	5200	924	11.84	1014	14.26	1093	16.62	1163	18.93	1227	21.22	1286	23.50	1342	25.76	1394	27.99	1444	30.20	1492	32.42
10589	5400	952	13.06	1041	15.58	1118	18.04	1187	20.45	1250	22.83	1309	25.21	1365	27.56	1417	29.89	1466	32.20	1514	34.50
10982	5600	981	14.37	1067	16.99	1143	19.55	1212	22.06	1274	24.54	1333	27.00	1387	29.45	1439	31.88	1488	34.29	1535	36.68
11374	5800	1009	15.76	1094	18.49	1169	21.14	1236	23.76	1298	26.33	1356	28.88	1411	31.43	1462	33.96	1511	36.47	1558	38.95

VOL. CFM	OUTLET VEL. FPM	11 S.P.		12 S.P.		13 S.P.		14 S.P.		15 S.P.		16 S.P.		17 S.P.		18 S.P.		19 S.P.		20 S.P.	
		RPM	BHP	RPM	BHP	RPM	BHP	RPM	BHP	RPM	BHP	RPM	BHP	RPM	BHP	RPM	BHP	RPM	BHP	RPM	BHP
5099	2600	1351	15.79																		
5491	2800	1358	16.75	1414	18.42																
5883	3000	1367	17.79	1422	19.50	1475	21.26	1526	23.06												
6275	3200	1377	18.89	1431	20.66	1483	22.47	1534	24.31	1583	26.20	1631	28.13								
6667	3400	1388	20.04	1441	21.88	1493	23.75	1543	25.65	1592	27.58	1639	29.55	1685	31.56	1730	33.61				
7060	3600	1399	21.26	1452	23.16	1503	25.09	1553	27.05	1601	29.04	1648	31.07	1693	33.12	1738	35.21	1782	37.33	1824	39.50
7452	3800	1412	22.55	1464	24.50	1514	26.49	1564	28.51	1611	30.57	1658	32.65	1703	34.77	1747	36.91	1790	39.08	1832	41.29
7844	4000	1425	23.94	1476	25.92	1526	27.96	1575	30.04	1622	32.16	1668	34.31	1713	36.48	1757	38.69	1799	40.92	1841	43.18
8236	4200	1442	25.47	1491	27.45	1539	29.52	1587	31.65	1634	33.82	1679	36.03	1724	38.27	1767	40.53	1809	42.82	1851	45.40
8628	4400	1459	27.08	1507	29.15	1554	31.20	1600	33.35	1646	35.57	1691	37.83	1735	40.13	1778	42.45	1820	44.81	1861	47.19
9021	4600	1477	28.80	1524	30.89	1571	33.06	1615	35.19	1659	37.42	1703	39.72	1747	42.07	1789	44.45	1831	46.87	1872	49.31
9413	4800	1497	30.64	1542	32.78	1587	34.95	1632	37.17	1675	39.43	1717	41.74	1760	44.11	1802	46.54	1843	49.01	1883	51.51
9805	5000	1517	32.59	1562	34.78	1606	37.00	1649	39.26	1692	41.57	1733	43.92	1774	46.30	1815	48.75	1855	51.26	1895	53.81
10197	5200	1538	34.64	1582	36.89	1625	39.17	1668	41.48	1709	43.83	1750	46.22	1791	48.67	1830	51.11	1869	53.63	1908	56.21
10589	5400	1559	36.80	1603	39.12	1645	41.45	1687	43.81	1728	46.21	1768	48.65	1807	51.12	1847	53.69	1885	56.18	1923	58.77
10982	5600	1580	39.06	1624	41.45	1666	43.85	1707	46.28	1747	48.73	1787	51.21	1825	53.73	1864	56.29	1901	58.88	1939	61.52
11374	5800	1602	41.43	1645	43.90	1687	46.37	1728	48.86	1767	51.37	1806	53.90	1844	56.47	1882	59.07	1919	61.71	1955	64.39
11766	6000	1624	43.89	1667	46.45	1709	49.00	1749	51.56	1788	54.13	1826	56.73	1864	59.35	1901	62.00	1937	64.69	1973	67.41
12158	6200	1647	46.45	1689	49.10	1730	51.74	1770	54.38	1809	57.03	1847	59.69	1884	62.37	1920	65.07	1956	67.81	1992	70.57
12550	6400	1669	49.11	1711	51.85	1752	54.59	1792	57.31	1830	60.04	1868	62.77	1905	65.52	1941	68.28	1976	71.07	2011	73.89
12943	6600	1691	51.88	1734	54.72	1774	57.54	1814	60.36	1852	63.17	1889	65.98	1926	68.80	1961	71.63	1996	74.48	2031	77.35

Data in **bold** indicates the quietest and most efficient performance.
 BHP does not include drive losses.
 Performance shown is for Industrial Fans with inlet and outlet ducts.
 Data in **orange background** applies to heavy duty shaft and bearings.



PEERLESS BLOWERS INDUSTRIAL FAN PERFORMANCE TABLE

M-21

OUTLET _____
 2.41 SQ. FT. INSIDE AREA
 21" x 17" OUTSIDE DIAMETER

WHEEL DIAMETER — 36 1/2"
 TIP SPEED (FPM) = 9.56 X RPM

INLET _____
 2.40 SQ. FT. INSIDE AREA
 21 1/4" OUTSIDE DIAMETER

VOL. CFM	OUTLET VEL. FPM	1 S.P.		2 S.P.		3 S.P.		4 S.P.		5 S.P.		6 S.P.		7 S.P.		8 S.P.		9 S.P.		10 S.P.	
		RPM	BHP	RPM	BHP	RPM	BHP	RPM	BHP	RPM	BHP	RPM	BHP	RPM	BHP	RPM	BHP	RPM	BHP	RPM	BHP
2410	1000	380	0.61																		
2892	1200	394	0.76	524	1.50																
3374	1400	409	0.93	536	1.72	638	2.66														
3856	1600	425	1.13	550	1.99	649	2.96	737	4.07												
4338	1800	443	1.37	565	2.30	662	3.32	747	4.45	824	5.71										
4820	2000	463	1.66	580	2.66	677	3.75	760	4.91	834	6.19	904	7.58								
5302	2200	484	1.99	596	3.06	691	4.22	773	5.45	847	6.76	914	8.16	978	9.68						
5784	2400	506	2.37	613	3.51	706	4.74	788	6.04	861	7.41	927	8.85	989	10.37	1048	12.00	1105	13.74		
6266	2600	528	2.80	631	4.03	722	5.32	803	6.70	875	8.13	941	9.62	1002	11.18	1059	12.82	1114	14.56	1168	16.39
6748	2800	550	3.27	651	4.61	738	5.97	818	7.41	890	8.91	955	10.47	1015	12.08	1072	13.76	1126	15.51	1178	17.35
7230	3000	574	3.80	673	5.26	756	6.68	833	8.19	904	9.76	969	11.39	1030	13.06	1086	14.79	1139	16.59	1190	18.45
7712	3200	597	4.39	694	5.96	775	7.46	850	9.04	920	10.69	984	12.38	1044	14.13	1100	15.92	1153	17.76	1203	19.67
8194	3400	621	5.04	716	6.73	795	8.33	867	9.96	936	11.68	999	13.45	1059	15.27	1115	17.13	1167	19.03	1217	20.99
8676	3600	645	5.75	738	7.57	816	9.28	885	10.97	952	12.75	1015	14.60	1074	16.49	1130	18.42	1182	20.39	1232	22.41
9158	3800	669	6.53	760	8.47	837	10.31	905	12.08	969	13.92	1031	15.83	1089	17.79	1144	19.80	1197	21.84	1246	23.93
9640	4000	694	7.38	783	9.46	859	11.41	925	13.28	988	15.17	1048	17.15	1105	19.18	1160	21.26	1212	23.38	1261	25.54
10122	4200	718	8.31	806	10.51	881	12.58	947	14.58	1007	16.54	1065	18.56	1121	20.67	1175	22.82	1227	25.01	1276	27.24
10604	4400	743	9.32	829	11.65	903	13.84	968	15.96	1027	18.00	1084	20.09	1138	22.25	1191	24.47	1242	26.74	1291	29.04
11086	4600	769	10.41	853	12.88	925	15.19	990	17.42	1048	19.58	1103	21.73	1156	23.94	1208	26.23	1258	28.56	1307	30.94
11568	4800	794	11.59	877	14.19	948	16.63	1011	18.97	1069	21.26	1123	23.49	1175	25.76	1225	28.10	1275	30.50	1322	32.95
12050	5000	820	12.87	901	15.59	971	18.16	1033	20.62	1091	23.03	1144	25.36	1194	27.69	1244	30.09	1292	32.55	1339	35.07
12532	5200	846	14.23	925	17.08	994	19.78	1056	22.38	1113	24.89	1165	27.35	1215	29.76	1263	32.21	1310	34.73	1356	37.31
13014	5400	872	15.70	949	18.68	1017	21.51	1078	24.22	1134	26.85	1187	29.44	1236	31.95	1282	34.47	1328	37.04	1391	39.67
13496	5600	898	17.27	974	20.38	1041	23.33	1101	26.17	1156	28.92	1208	31.63	1257	34.26	1303	36.86	1347	39.49	1373	42.18
13978	5800	924	18.95	999	22.18	1064	25.57	1124	28.23	1179	31.12	1230	33.92	1278	36.69	1324	39.39	1367	42.08	1410	44.83

VOL. CFM	OUTLET VEL. FPM	11 S.P.		12 S.P.		13 S.P.		14 S.P.		15 S.P.		16 S.P.		17 S.P.		18 S.P.		19 S.P.		20 S.P.	
		RPM	BHP	RPM	BHP	RPM	BHP	RPM	BHP	RPM	BHP	RPM	BHP	RPM	BHP	RPM	BHP	RPM	BHP	RPM	BHP
6266	2600	1219	18.34																		
6748	2800	1228	19.28	1277	21.30																
7230	3000	1239	20.38	1287	22.40	1333	24.50	1378	26.70												
7712	3200	1252	21.63	1298	23.66	1343	25.77	1388	27.95	1431	30.22	1473	32.58								
8194	3400	1265	23.00	1311	25.06	1356	27.19	1399	29.38	1441	31.65	1482	33.99	1523	36.41	1563	38.91	1610	43.06	1648	45.71
8676	3600	1279	24.47	1325	26.59	1369	28.75	1412	30.97	1453	33.25	1493	35.60	1533	38.02	1572	40.50	1620	44.86	1657	47.49
9158	3800	1294	26.05	1339	28.22	1383	30.43	1425	32.70	1466	35.01	1506	37.38	1545	39.81	1583	42.30	1620	44.86	1657	47.49
9640	4000	1308	27.73	1353	29.96	1397	32.23	1439	34.55	1480	36.91	1519	39.32	1558	41.78	1595	44.29	1632	46.86	1668	49.49
10122	4200	1323	29.51	1368	31.80	1411	34.14	1453	36.52	1494	38.93	1533	41.39	1571	43.89	1608	46.44	1645	49.04	1680	51.69
10604	4400	1338	31.38	1383	33.75	1426	36.16	1468	38.60	1508	41.07	1547	43.58	1585	46.14	1622	48.73	1658	51.37	1693	54.06
11086	4600	1353	33.36	1398	35.80	1441	38.28	1482	40.79	1522	43.33	1561	45.90	1599	48.52	1636	51.16	1672	53.85	1707	56.58
11568	4800	1368	35.44	1413	37.96	1456	40.51	1497	43.09	1537	45.70	1576	48.34	1614	51.02	1650	53.73	1686	56.47	1721	59.25
12050	5000	1384	37.63	1428	40.22	1471	42.85	1512	45.50	1552	48.19	1591	50.90	1628	53.64	1665	56.42	1701	59.22	1735	62.06
12532	5200	1400	39.93	1444	42.60	1486	45.30	1527	48.03	1567	50.79	1605	53.57	1643	56.39	1680	59.23	1715	62.10	1750	65.01
13014	5400	1417	42.36	1460	45.10	1502	47.87	1543	50.67	1582	53.51	1621	56.37	1658	59.26	1694	62.17	1730	65.11	1764	68.08
13496	5600	1434	44.93	1477	47.73	1518	50.57	1558	53.44	1598	56.35	1636	59.29	1673	62.25	1709	65.24	1745	68.25	1779	71.29
13978	5800	1452	47.63	1494	50.49	1535	53.40	1574	56.34	1613	59.32	1651	62.33	1688	65.37	1724	68.43	1760	71.52	1794	74.64
14460	6000	1471	50.49	1512	53.40	1552	56.37	1591	59.38	1629	62.43	1667	65.51	1704	68.62	1740	71.76	1775	74.93	1809	78.11
14942	6200	1491	53.50	1530	56.47	1569	59.49	1608	62.56	1646	65.68	1683	68.83	1720	72.01	1755	75.23	1790	78.46	1824	81.73
15424	6400	1511	56.67	1549	59.69	1588	62.77	1626	65.90	1663	69.08	1700	72.30	1736	75.55	1771	78.83	1806	82.14	1840	85.48
15906	6600	1531	60.00	1569	63.08	1607	66.22	1644	69.40	1681	72.64	1717	75.92	1752	79.24	1787	82.59	1821	85.97	1855	89.38

Data in **bold** indicates the quietest and most efficient performance.
 BHP does not include drive losses.
 Performance shown is for Industrial Fans with inlet and outlet ducts.
 Data in **orange background** applies to heavy duty shaft and bearings.



PEERLESS BLOWERS INDUSTRIAL FAN PERFORMANCE TABLE

M-23

OUTLET _____
 2.89 SQ. FT. INSIDE AREA
 23" x 18 5/8" OUTSIDE DIAMETER

WHEEL DIAMETER — 40"
 TIP SPEED (FPM) = 10.47 X RPM

INLET _____
 2.88 SQ. FT. INSIDE AREA
 23 1/4" OUTSIDE DIAMETER

VOL. CFM	OUTLET VEL. FPM	1 S.P.		2 S.P.		3 S.P.		4 S.P.		5 S.P.		6 S.P.		7 S.P.		8 S.P.		9 S.P.		10 S.P.	
		RPM	BHP	RPM	BHP	RPM	BHP	RPM	BHP	RPM	BHP	RPM	BHP	RPM	BHP	RPM	BHP	RPM	BHP	RPM	BHP
2890	1000	347	0.74																		
3468	1200	360	0.91	478	1.80																
4046	1400	373	1.11	489	2.06	583	3.19														
4624	1600	388	1.36	502	2.39	593	3.55	672	4.88												
5202	1800	404	1.65	516	2.76	605	3.99	682	5.34	752	6.85										
5780	2000	422	1.99	529	3.19	618	4.49	693	5.90	762	7.42	825	9.09								
6358	2200	442	2.39	544	3.67	631	5.06	706	6.54	773	8.11	835	9.79	893	11.61						
6936	2400	462	2.84	559	4.21	645	5.69	719	7.25	786	8.88	846	10.61	903	12.44	957	14.40	1009	16.48		
7514	2600	482	3.36	576	4.83	659	6.39	733	8.03	799	9.75	859	11.54	915	13.41	967	15.38	1017	17.46	1066	19.66
8092	2800	503	3.92	595	5.53	674	7.16	747	8.89	812	10.69	872	12.55	927	14.49	979	16.51	1028	18.61	1075	20.81
9670	3000	524	4.56	614	6.30	690	8.01	761	9.82	826	11.71	885	13.66	940	15.67	992	17.75	1040	19.90	1087	22.13
9248	3200	545	5.26	634	7.15	707	8.95	776	10.84	840	12.82	899	14.85	953	16.95	1005	19.10	1053	21.31	1099	23.59
9826	3400	567	6.04	654	8.07	726	9.99	792	11.95	854	14.01	913	16.14	967	18.32	1018	20.55	1066	22.83	1112	25.18
10404	3600	589	6.89	674	9.08	745	11.13	808	13.16	869	15.30	927	17.51	981	19.78	1031	22.10	1079	24.46	1125	26.88
10982	3800	611	7.83	694	10.17	764	12.37	826	14.49	885	16.69	941	18.99	995	21.34	1045	23.75	1093	26.20	1138	28.70
11560	4000	633	8.86	715	11.34	784	13.69	845	15.93	902	18.20	957	20.57	1009	23.01	1059	25.51	1106	28.05	1151	30.63
12138	4200	656	9.97	736	12.61	804	15.09	864	17.48	919	19.83	973	22.27	1024	24.79	1073	27.37	1120	30.00	1165	32.68
12716	4400	679	11.18	757	13.98	824	16.61	884	19.14	938	21.60	989	24.10	1039	26.69	1088	29.35	1134	32.07	1179	34.84
13294	4600	702	12.49	779	15.44	845	18.22	904	20.90	957	23.49	1007	26.06	1056	28.72	1103	31.46	1149	34.26	1193	37.12
13872	4800	725	13.91	801	17.02	865	19.94	923	22.76	976	25.50	1025	28.17	1073	30.90	1119	33.71	1164	36.59	1207	39.52
14450	5000	749	15.43	822	18.70	886	21.78	943	24.73	996	27.62	1045	30.42	1091	33.22	1135	36.09	1179	39.05	1222	42.07
15028	5200	772	17.08	845	20.49	907	23.73	964	26.84	1016	29.86	1064	32.80	1109	35.70	1153	38.64	1196	41.66	1238	44.75
15606	5400	796	18.84	867	22.41	929	25.80	984	29.05	1036	32.21	1084	35.31	1128	38.32	1171	41.34	1213	44.43	1254	47.59
16184	5600	820	20.72	889	24.44	950	27.99	1005	31.39	1056	34.69	1103	37.94	1148	41.10	1189	44.21	1230	47.37	1270	50.60
16762	5800	844	22.73	912	26.61	972	30.31	1026	33.86	1076	37.32	1123	40.69	1167	44.01	1209	47.24	1249	50.48	1288	53.77

VOL. CFM	OUTLET VEL. FPM	11 S.P.		12 S.P.		13 S.P.		14 S.P.		15 S.P.		16 S.P.		17 S.P.		18 S.P.		19 S.P.		20 S.P.	
		RPM	BHP	RPM	BHP	RPM	BHP	RPM	BHP	RPM	BHP	RPM	BHP	RPM	BHP	RPM	BHP	RPM	BHP	RPM	BHP
7514	2600	1113	22.00																		
8092	2800	1121	23.12	1166	25.55																
9670	3000	1131	24.45	1175	26.87	1217	29.39	1258	32.03												
9248	3200	1143	25.95	1185	28.38	1227	30.91	1267	33.53	1306	36.25	1345	39.08								
9826	3400	1155	27.59	1197	30.06	1238	32.62	1277	35.25	1316	37.96	1353	40.77	1390	43.67	1427	46.68				
10404	3600	1168	29.36	1210	31.89	1250	34.49	1289	37.15	1327	39.89	1364	42.70	1400	45.60	1435	48.58	1470	51.66	1505	54.83
10982	3800	1181	31.25	1223	33.85	1262	36.51	1301	39.22	1338	42.00	1375	44.84	1410	47.76	1445	50.75	1479	53.81	1513	56.96
11560	4000	1194	33.26	1236	35.94	1275	38.66	1314	41.44	1351	44.27	1387	47.16	1422	50.11	1456	53.13	1490	56.21	1523	59.37
12138	4200	1208	35.39	1249	38.15	1289	40.95	1327	43.80	1364	46.70	1400	49.65	1434	52.65	1468	55.71	1502	58.82	1534	62.00
12716	4400	1221	37.64	1262	40.49	1302	43.37	1340	46.30	1377	49.27	1412	52.28	1447	55.34	1481	58.46	1514	61.62	1546	64.84
13294	4600	1235	40.01	1276	42.94	1315	45.92	1353	48.92	1390	51.97	1426	55.06	1460	58.20	1494	61.37	1527	64.60	1559	67.87
13872	4800	1249	42.51	1290	45.53	1329	48.59	1367	51.69	1403	54.82	1439	57.99	1473	61.20	1507	64.45	1540	67.74	1571	71.07
14450	5000	1264	45.13	1304	48.25	1343	51.40	1381	54.58	1417	57.80	1452	61.06	1487	64.35	1520	67.67	1553	71.04	1584	74.44
15028	5200	1279	47.90	1318	51.10	1357	54.34	1394	57.61	1431	60.92	1466	64.26	1500	67.64	1533	71.05	1566	74.50	1598	77.98
15606	5400	1294	50.82	1333	54.10	1371	57.42	1408	60.79	1445	64.19	1480	67.62	1514	71.08	1547	74.58	1579	78.11	1611	81.67
16184	5600	1310	53.89	1348	57.25	1386	60.66	1423	64.11	1459	67.60	1494	71.12	1527	74.67	1561	78.26	1593	81.87	1624	85.52
16762	5800	1326	57.14	1364	60.57	1401	64.05	1438	64.59	1473	71.16	1508	74.77	1541	78.42	1574	82.09	1607	85.80	1638	89.53
17340	6000	1343	60.56	1380	64.06	1417	67.62	1453	71.53	1488	74.89	1522	78.59	1556	82.32	1588	86.08	1620	89.88	1652	93.70
17918	6200	1361	64.17	1397	67.73	1433	71.36	1468	75.05	1503	78.79	1537	82.57	1570	86.38	1603	90.24	1634	94.12	1666	98.04
18496	6400	1379	67.97	1415	71.60	1450	75.30	1484	79.05	1518	82.86	1552	86.72	1585	90.63	1617	94.56	1649	98.54	1680	102.54
19074	6600	1398	71.97	1433	75.67	1467	79.43	1501	83.25	1534	87.13	1567	91.07	1600	95.05	1632	99.07	1663	103.13	1694	107.22

Data in **bold** indicates the quietest and most efficient performance.
 BHP does not include drive losses.
 Performance shown is for Industrial Fans with inlet and outlet ducts.
 Data in **orange background** applies to heavy duty shaft and bearings.



PEERLESS BLOWERS INDUSTRIAL FAN PERFORMANCE TABLE

M-26

OUTLET _____
3.694 SQ. FT. INSIDE AREA
26" x 20 7/8" OUTSIDE DIAMETER

WHEEL DIAMETER — 45 1/8"
TIP SPEED (FPM) = 11.81 X RPM

INLET _____
3.69 SQ. FT. INSIDE AREA
26 1/4" OUTSIDE DIAMETER

VOL. CFM	OUTLET VEL. FPM	1 S.P.		2 S.P.		3 S.P.		4 S.P.		5 S.P.		6 S.P.		7 S.P.		8 S.P.		9 S.P.		10 S.P.	
		RPM	BHP	RPM	BHP	RPM	BHP	RPM	BHP	RPM	BHP	RPM	BHP	RPM	BHP	RPM	BHP	RPM	BHP	RPM	BHP
3694	1000	307	0.94																		
4433	1200	318	1.16	423	2.30																
5172	1400	330	1.42	433	2.64	516	4.08														
5910	1600	343	1.73	444	3.05	524	4.53	595	6.24												
6649	1800	358	2.10	456	3.53	535	5.09	603	6.82	665	8.76										
7388	2000	374	2.54	468	4.07	547	5.74	613	7.53	674	9.48	730	11.62								
8127	2200	391	3.06	481	4.69	558	6.47	625	8.35	684	10.36	738	12.51	790	14.83						
8866	2400	408	3.64	495	5.38	571	7.27	636	9.26	695	11.35	749	13.56	799	15.90	846	18.40	892	21.07		
9604	2600	426	4.29	510	6.17	583	8.16	648	10.27	707	12.46	760	14.74	809	17.14	856	19.66	900	22.31	943	25.13
10343	2800	445	5.01	526	7.06	596	9.14	661	11.36	718	13.66	771	16.04	820	18.52	866	21.09	910	23.78	951	26.59
11082	3000	463	5.83	543	8.06	611	10.23	673	12.55	731	14.97	783	17.46	832	20.02	877	22.68	920	25.43	961	28.28
11821	3200	482	6.73	561	9.14	626	11.44	686	13.85	743	16.38	795	18.98	843	21.65	889	24.40	931	27.23	972	30.14
12560	3400	501	7.72	578	10.32	642	12.77	700	15.27	756	17.90	807	20.62	855	23.40	900	26.26	943	29.18	983	32.17
13298	3600	521	8.81	596	11.60	659	14.23	715	16.82	769	19.55	820	22.38	867	25.28	912	28.24	955	31.26	995	34.35
14037	3800	540	10.01	614	12.99	676	15.80	731	18.52	783	21.33	833	24.26	880	27.27	924	30.35	967	33.48	1007	36.68
14776	4000	560	11.32	633	14.49	694	17.49	747	20.36	798	23.26	846	26.28	893	29.40	937	32.59	979	35.84	1018	39.15
15515	4200	580	12.74	651	16.12	711	19.29	765	22.34	813	25.35	860	28.46	906	31.68	949	34.98	991	38.34	1031	41.76
16254	4400	600	14.29	670	17.86	729	21.22	782	24.46	830	27.60	875	30.79	920	34.11	962	37.51	1003	40.99	1043	44.52
16992	4600	621	15.96	689	19.74	747	23.29	799	26.71	847	30.01	891	33.31	934	36.70	976	40.20	1016	43.79	1055	47.43
17731	4800	641	17.77	708	21.74	766	25.49	817	29.08	864	32.59	907	36.00	949	39.48	990	43.07	1030	46.75	1068	50.51
18470	5000	662	19.72	728	23.89	784	27.83	835	31.61	881	35.30	924	38.87	965	42.45	1004	46.12	1043	49.90	1081	53.75
19209	5200	683	21.82	747	26.19	803	30.32	858	34.30	899	38.16	941	41.92	981	45.62	1020	49.38	1058	53.24	1095	57.19
19948	5400	704	24.07	767	28.63	822	32.97	871	37.12	916	41.16	959	45.13	998	48.97	1036	52.83	1073	56.78	1109	60.82
20686	5600	725	26.48	787	31.24	841	35.77	889	40.11	934	44.33	976	48.48	1015	52.52	1052	56.50	1088	60.53	1124	64.66
21425	5800	747	29.05	807	34.00	860	38.73	908	43.27	952	47.70	994	52.00	1033	56.24	1069	60.37	1104	64.51	1139	68.72

VOL. CFM	OUTLET VEL. FPM	11 S.P.		12 S.P.		13 S.P.		14 S.P.		15 S.P.		16 S.P.		17 S.P.		18 S.P.		19 S.P.		20 S.P.	
		RPM	BHP	RPM	BHP	RPM	BHP	RPM	BHP	RPM	BHP	RPM	BHP	RPM	BHP	RPM	BHP	RPM	BHP	RPM	BHP
9604	2600	985	28.11																		
10343	2800	992	29.55	1031	32.65																
11082	3000	1001	31.24	1039	34.33	1077	37.56	1113	40.93												
11821	3200	1011	33.16	1049	36.27	1085	39.50	1121	42.84	1156	46.32	1190	49.93								
12560	3400	1022	35.25	1059	38.42	1095	41.68	1130	45.04	1164	48.51	1197	52.10	1230	55.81	1262	59.65				
13298	3600	1033	37.51	1070	40.75	1106	44.07	1140	47.78	1174	50.97	1206	54.57	1238	58.27	1270	62.08	1300	66.01	1331	70.06
14037	3800	1045	39.93	1081	43.26	1117	46.65	1151	50.12	1184	53.67	1216	57.31	1248	61.03	1278	64.85	1309	68.77	1338	72.79
14776	4000	1057	42.51	1093	45.93	1128	49.41	1162	52.96	1195	56.58	1227	60.27	1258	64.04	1288	67.89	1318	71.83	1347	75.86
15515	4200	1068	45.23	1105	48.75	1140	52.33	1174	55.97	1206	59.68	1238	63.44	1269	67.28	1299	71.18	1328	75.17	1357	79.23
16254	4400	1081	48.10	1117	51.74	1152	55.42	1185	59.16	1218	62.96	1249	66.81	1280	70.72	1310	74.70	1339	78.75	1368	82.86
16992	4600	1093	51.13	1129	54.88	1164	58.67	1197	62.52	1230	66.42	1261	70.36	1292	74.37	1321	78.43	1350	82.55	1379	86.73
17731	4800	1105	54.32	1141	58.18	1176	62.09	1209	66.05	1241	70.05	1273	74.10	1303	78.20	1333	82.36	1362	80.56	1390	90.82
18470	5000	1118	57.68	1154	61.65	1188	65.68	1221	69.75	1253	73.86	1285	78.02	1315	82.23	1345	86.48	1374	90.78	1402	95.13
19209	5200	1131	61.21	1166	65.30	1200	69.44	1233	73.62	1266	77.85	1297	82.12	1327	86.44	1357	90.79	1385	95.20	1413	99.65
19948	5400	1145	64.94	1179	69.13	1213	73.38	1246	77.68	1278	82.02	1309	86.41	1339	90.83	1368	95.30	1397	99.81	1425	104.36
20686	5600	1159	68.87	1193	73.16	1226	77.51	1259	81.92	1290	86.38	1321	90.88	1351	95.42	1381	100.00	1409	104.62	1437	109.28
21425	5800	1173	73.01	1207	77.40	1240	81.85	1272	86.37	1303	90.94	1334	95.55	1364	100.21	1393	104.90	1421	109.64	1449	114.41
22164	6000	1188	77.39	1221	81.86	1253	86.41	1285	91.02	1316	95.70	1346	100.42	1376	105.19	1405	110.00	1433	114.85	1461	119.74
22903	6200	1204	82.00	1236	86.56	1268	91.19	1299	95.90	1329	100.68	1359	105.51	1389	110.39	1418	115.31	1446	120.28	1473	125.28
23642	6400	1220	86.86	1251	91.50	1282	96.22	1313	101.02	1343	105.89	1373	110.82	1402	115.81	1430	120.84	1458	125.92	1486	131.03
24380	6600	1237	91.97	1267	96.70	1298	101.50	1328	106.38	1357	111.34	1387	116.37	1415	121.46	1443	126.60	1471	131.79	1498	137.01

Data in **bold** indicates the quietest and most efficient performance.
 BHP does not include drive losses.
 Performance shown is for Industrial Fans with inlet and outlet ducts.
 Data in **orange background** applies to heavy duty shaft and bearings.



PEERLESS BLOWERS INDUSTRIAL FAN PERFORMANCE TABLE

M-29

OUTLET _____
4.596 SQ. FT. INSIDE AREA
29" x 23 1/4" OUTSIDE DIAMETER

WHEEL DIAMETER — 50 1/2"
TIP SPEED (FPM) = 13.22 X RPM

INLET _____
4.59 SQ. FT. INSIDE AREA
29 1/4" OUTSIDE DIAMETER

VOL. CFM	OUTLET VEL. FPM	1 S.P.		2 S.P.		3 S.P.		4 S.P.		5 S.P.		6 S.P.		7 S.P.		8 S.P.		9 S.P.		10 S.P.	
		RPM	BHP	RPM	BHP	RPM	BHP	RPM	BHP	RPM	BHP	RPM	BHP	RPM	BHP	RPM	BHP	RPM	BHP	RPM	BHP
4596	1000	275	1.17																		
5515	1200	285	1.44	379	2.86																
6434	1400	296	1.77	388	3.28	462	5.08														
7354	1600	308	2.15	398	3.79	470	5.64	533	7.77												
8273	1800	321	2.62	409	4.39	480	6.34	541	8.49	597	10.90										
9192	2000	335	3.17	420	5.07	490	7.14	550	9.37	604	11.80	654	14.46								
10111	2200	351	3.80	431	5.83	501	8.05	560	10.39	613	12.89	662	15.56	708	18.45						
11030	2400	366	4.52	444	6.70	512	9.05	571	11.52	623	14.12	671	16.87	716	19.78	759	22.89	800	26.21		
11950	2600	382	5.33	457	7.68	523	10.15	581	12.77	634	15.50	681	18.34	725	21.32	767	24.45	807	27.76	845	31.26
12869	2800	399	6.24	472	8.79	535	11.38	592	14.13	644	16.99	691	19.96	735	23.04	776	26.24	815	29.58	853	33.09
13788	3000	415	7.25	487	10.02	547	12.73	604	15.62	655	18.62	702	21.72	746	24.91	786	28.21	825	31.63	862	35.18
14707	3200	432	8.37	503	11.37	561	14.23	615	17.23	666	20.38	713	23.62	756	26.94	797	30.36	835	33.88	871	37.50
15626	3400	449	9.60	518	12.84	576	15.89	628	19.00	677	22.27	724	25.65	767	29.12	807	32.66	845	36.30	882	40.03
16546	3600	467	10.96	534	14.43	591	17.70	641	20.93	689	24.32	735	27.84	778	31.45	818	35.13	856	38.89	892	42.74
17465	3800	484	12.45	551	16.16	606	19.66	655	23.04	702	26.54	747	30.18	789	33.93	829	37.76	867	41.66	902	45.63
18384	4000	502	14.08	567	18.03	622	21.76	670	25.33	715	28.94	759	32.70	800	36.58	840	40.55	877	44.59	913	48.70
19303	4200	520	15.85	584	20.05	638	24.00	685	27.80	729	31.53	771	35.40	812	39.41	851	43.52	888	47.70	924	51.95
20222	4400	538	17.77	601	22.22	654	26.40	701	30.43	744	34.33	785	38.31	824	42.43	863	46.67	900	50.99	935	55.38
21442	4600	557	19.86	618	24.55	670	28.97	717	33.23	759	37.34	799	41.44	837	45.66	875	50.02	911	54.47	946	59.01
22061	4800	575	22.11	635	27.05	686	31.71	732	36.18	774	40.54	813	44.79	851	49.12	887	53.58	923	58.16	958	62.83
22980	5000	594	24.54	652	29.73	703	34.62	748	39.32	790	43.92	828	48.36	865	52.81	901	57.38	935	62.08	969	66.87
23899	5200	612	27.15	670	32.58	720	37.72	765	42.67	806	47.47	844	52.15	880	56.75	914	61.43	948	66.23	982	71.14
24818	5400	631	29.95	687	35.62	737	41.01	781	46.18	821	51.20	859	56.14	895	60.93	929	65.73	962	70.63	994	75.66
25738	5600	650	32.94	705	38.86	754	44.50	797	49.91	837	55.15	875	60.32	910	65.34	943	70.29	976	75.31	1008	80.44
26657	5800	669	36.14	723	42.30	771	48.19	814	53.84	854	59.34	891	64.69	926	69.97	959	75.11	990	80.25	1021	85.49

VOL. CFM	OUTLET VEL. FPM	11 S.P.		12 S.P.		13 S.P.		14 S.P.		15 S.P.		16 S.P.		17 S.P.		18 S.P.		19 S.P.		20 S.P.	
		RPM	BHP	RPM	BHP	RPM	BHP	RPM	BHP	RPM	BHP	RPM	BHP	RPM	BHP	RPM	BHP	RPM	BHP	RPM	BHP
11950	2600	883	34.97																		
12869	2800	889	36.76	925	40.62																
13788	3000	897	38.87	932	42.71	965	46.73	998	50.92												
14707	3200	906	41.25	940	45.12	973	49.14	1005	53.30	1036	57.62	1067	62.12								
15626	3400	916	43.86	950	47.79	982	51.85	1013	56.03	1043	60.35	1073	64.81	1103	69.43	1132	74.21				
16546	3600	926	46.67	959	50.70	991	54.83	1022	59.06	1052	63.42	1081	67.89	1110	72.50	1138	77.24	1166	82.12	1193	87.17
17465	3800	937	49.68	970	53.82	1001	58.04	1032	62.36	1062	66.77	1090	71.29	1119	75.93	1146	80.68	1173	85.55	1200	90.56
18384	4000	947	52.88	980	57.14	1012	61.47	1042	65.88	1071	70.39	1100	74.98	1128	79.67	1155	84.46	1182	89.36	1208	94.38
19303	4200	958	56.27	991	60.65	1022	65.11	1052	69.64	1082	74.24	1110	78.93	1138	83.70	1165	88.56	1191	93.51	1217	98.57
20222	4400	969	59.84	1001	64.36	1033	68.95	1063	73.60	1092	78.32	1120	83.12	1148	87.99	1175	92.93	1201	97.97	1226	103.08
21442	4600	980	63.61	1012	68.27	1043	73.00	1073	77.78	1102	82.63	1131	87.54	1158	92.52	1185	97.57	1211	102.70	1236	107.90
22061	4800	991	67.58	1023	72.38	1054	77.25	1084	82.17	1113	87.15	1141	92.19	1169	97.29	1195	102.46	1221	107.69	1246	112.99
22980	5000	1002	71.75	1034	76.70	1065	81.71	1095	86.77	1124	91.89	1152	97.07	1179	102.30	1206	107.59	1231	112.94	1257	118.35
23899	5200	1014	76.15	1046	81.24	1076	86.39	1106	91.59	1135	96.85	1163	102.17	1190	107.53	1216	112.96	1242	118.43	1267	123.97
24818	5400	1026	80.79	1057	86.00	1088	91.29	1117	96.64	1146	102.04	1173	107.50	1201	113.00	1227	118.56	1253	124.17	1278	129.84
25738	5600	1039	85.68	1069	91.02	1099	96.43	1128	101.92	1157	107.46	1185	113.06	1211	118.71	1238	124.41	1263	130.16	1288	135.96
26657	5800	1052	90.84	1082	96.29	1111	101.83	1140	107.45	1168	113.13	1196	118.87	1223	124.66	1249	130.51	1274	136.40	1299	142.33
27576	6000	1065	96.28	1095	101.84	1124	107.50	1152	113.24	1180	119.06	1207	124.93	1234	130.87	1260	136.85	1285	142.88	1310	148.96
28495	6200	1079	102.02	1108	107.68	1137	113.45	1164	119.31	1192	125.25	1219	131.26	1245	137.33	1271	143.46	1296	149.63	1321	155.86
29414	6400	1094	108.06	1122	113.83	1150	119.71	1177	125.68	1204	131.74	1231	137.87	1257	144.07	1282	150.34	1308	156.64	1332	163.02
30334	6600	1190	114.41	1136	120.30	1163	126.28	1190	132.35	1217	138.52	1243	144.78	1269	151.11	1294	157.50	1319	163.95	1343	170.46

Data in **bold** indicates the quietest and most efficient performance.
 BHP does not include drive losses.
 Performance shown is for Industrial Fans with inlet and outlet ducts.
 Data in **orange background** applies to heavy duty shaft and bearings.



PEERLESS BLOWERS INDUSTRIAL FAN PERFORMANCE TABLE

M-33

OUTLET _____
5.951 SQ. FT. INSIDE AREA
33" x 26 1/2" OUTSIDE DIAMETER

WHEEL DIAMETER — 57 1/2"
TIP SPEED (FPM) = 15.05 X RPM

INLET _____
5.94 SQ. FT. INSIDE AREA
33 3/8" OUTSIDE DIAMETER

VOL. CFM	OUTLET VEL. FPM	1 S.P.		2 S.P.		3 S.P.		4 S.P.		5 S.P.		6 S.P.		7 S.P.		8 S.P.		9 S.P.		10 S.P.	
		RPM	BHP	RPM	BHP	RPM	BHP	RPM	BHP	RPM	BHP	RPM	BHP	RPM	BHP	RPM	BHP	RPM	BHP	RPM	BHP
5951	1000	242	1.52																		
7141	1200	251	1.87	333	3.70																
8331	1400	260	2.29	341	4.25	406	6.57														
9522	1600	270	2.79	350	4.91	413	7.30	469	10.06												
10712	1800	282	3.39	359	5.69	422	8.21	475	10.99	524	14.11										
11902	2000	294	4.10	369	6.56	431	9.25	483	12.14	531	15.28	575	18.72								
13092	2200	308	4.93	379	7.55	440	10.42	492	13.45	539	16.69	582	20.15	622	23.90						
14282	2400	322	5.86	390	8.67	450	11.72	501	14.92	548	18.29	590	21.84	629	25.61	667	29.63	703	33.94		
15473	2600	336	6.91	402	9.94	459	13.15	511	16.54	557	20.07	599	23.75	637	27.61	674	31.66	709	35.95	743	40.48
16663	2800	350	8.08	415	11.38	470	14.73	520	18.30	566	22.01	608	25.84	646	29.83	682	33.98	717	38.31	750	42.84
17853	3000	365	9.38	428	12.98	481	16.48	530	20.22	576	24.11	617	28.12	655	32.26	691	36.53	725	40.96	757	45.55
19042	3200	380	10.83	442	14.73	493	18.43	541	22.32	585	26.39	626	30.58	664	34.88	700	39.31	734	43.86	766	48.56
20233	3400	395	12.43	455	16.62	506	20.57	552	24.60	595	28.84	636	33.22	674	37.70	709	42.30	743	47.00	775	51.83
21424	3600	410	14.19	470	18.69	519	22.92	563	27.10	606	31.49	646	36.05	683	40.72	719	45.49	752	50.36	784	55.34
22614	3800	426	16.12	484	20.93	533	25.46	576	29.83	617	34.36	656	39.08	693	43.94	728	48.89	762	53.94	793	59.09
23804	4000	441	18.23	498	23.35	547	28.17	589	32.80	628	37.47	667	42.34	703	47.37	738	52.51	771	57.74	802	63.06
24994	4200	457	20.52	513	25.96	560	31.07	602	35.99	641	40.83	678	45.84	714	51.03	748	56.35	781	61.76	812	67.27
26184	4400	473	23.02	528	28.77	574	34.19	616	39.41	654	44.46	690	49.61	724	54.94	758	60.43	791	66.03	822	71.72
27375	4600	489	25.71	543	31.79	589	37.52	630	43.03	667	48.35	702	53.66	736	59.13	769	64.77	801	70.54	831	76.41
28565	4800	505	28.63	558	35.03	603	41.06	644	46.85	681	52.49	715	57.99	748	63.60	780	69.39	811	75.32	842	81.36
29755	5000	522	31.77	573	38.49	618	44.83	658	50.92	694	56.87	728	62.62	760	68.39	791	74.30	822	80.38	852	86.60
30945	5200	538	35.15	589	42.19	632	48.85	672	55.25	708	61.47	742	67.53	773	73.48	803	79.54	833	85.76	863	92.12
32135	5400	555	38.78	604	46.13	647	53.10	686	59.80	722	66.30	755	72.69	786	78.90	816	85.11	845	91.46	874	97.97
33326	5600	571	42.66	620	50.32	662	57.62	701	64.62	736	71.42	769	78.11	800	84.61	829	91.02	857	97.51	885	104.16
34516	5800	548	47.14	634	55.00	675	62.60	713	69.91	748	77.10	783	83.77	814	90.60	842	97.26	870	103.92	897	110.70

VOL. CFM	OUTLET VEL. FPM	11 S.P.		12 S.P.		13 S.P.		14 S.P.		15 S.P.		16 S.P.		17 S.P.		18 S.P.		19 S.P.		20 S.P.	
		RPM	BHP	RPM	BHP	RPM	BHP	RPM	BHP	RPM	BHP	RPM	BHP	RPM	BHP	RPM	BHP	RPM	BHP	RPM	BHP
15473	2600	776	45.29																		
16663	2800	781	47.60	813	52.60																
17853	3000	789	50.33	819	55.31	848	60.50	877	65.93												
19042	3200	797	53.41	826	58.43	855	63.63	883	69.02	910	74.62	937	80.44								
20233	3400	805	56.79	834	61.89	863	67.14	890	72.56	917	78.15	943	83.93	969	89.90	994	96.09	1025	106.34	1049	112.87
21424	3600	814	60.43	843	65.65	871	71.00	898	76.48	925	82.12	950	87.91	976	93.87	1000	100.01	1025	106.34	1049	112.87
22614	3800	823	64.33	852	69.69	880	75.15	907	80.74	933	86.46	958	92.32	983	98.32	1007	104.47	1031	110.78	1055	117.26
23804	4000	832	68.48	861	73.99	889	79.60	916	85.31	942	91.14	967	97.09	991	103.17	1015	109.37	1039	115.72	1062	122.21
24994	4200	842	72.86	871	78.54	898	84.31	925	90.17	950	96.13	975	102.20	1000	108.38	1023	114.67	1047	121.09	1069	127.63
26184	4400	851	77.49	880	83.34	907	89.28	934	95.31	960	101.42	984	107.63	1009	119.93	1032	120.34	1055	126.86	1078	133.48
27375	4600	861	82.37	889	88.41	917	94.52	943	100.72	969	106.99	994	113.35	1018	119.80	1041	126.64	1064	132.98	1086	139.72
28565	4800	871	87.50	899	93.73	926	100.03	953	106.40	978	112.85	1003	119.38	1027	125.98	1050	132.67	1073	139.45	1095	146.31
29755	5000	881	92.91	909	99.32	936	105.80	962	112.36	988	118.99	1012	125.69	1036	132.46	1059	139.31	1082	146.24	1104	153.25
30945	5200	891	98.61	919	105.19	946	111.86	972	118.60	997	125.41	1022	132.29	1046	139.24	1069	146.27	1091	153.36	1114	160.53
32135	5400	902	104.61	929	111.36	956	118.21	982	125.14	1007	132.13	1031	139.20	1055	146.33	1078	153.53	1101	160.79	1123	168.13
33326	5600	913	110.94	940	117.85	966	124.87	992	131.97	1017	139.15	1041	146.40	1065	153.72	1088	161.10	1110	168.54	1132	176.05
34516	5800	924	117.62	951	124.68	977	131.86	1002	139.13	1027	146.49	1051	153.93	1074	161.43	1097	168.99	1120	176.62	1142	184.31
35706	6000	936	124.67	962	131.87	987	139.20	1012	146.63	1037	154.16	1061	161.78	1084	169.46	1107	177.21	1129	185.02	1151	192.89
36896	6200	949	132.10	974	139.44	999	146.91	1023	154.49	1047	162.19	1071	169.97	1094	177.83	1117	185.76	1139	193.76	1161	201.82
38086	6400	961	139.93	986	147.40	1010	155.00	1035	162.74	1058	170.58	1082	178.53	1105	186.56	1127	194.67	1149	202.85	1171	211.09
39277	6600	974	148.15	999	155.77	1022	163.51	1046	171.38	1069	179.37	1092	187.47	1115	195.66	1137	203.94	1159	212.30	1181	220.72

Data in **bold** indicates the quietest and most efficient performance.
 BHP does not include drive losses.
 Performance shown is for Industrial Fans with inlet and outlet ducts.
 Data in **orange background** applies to heavy duty shaft and bearings.



PEERLESS BLOWERS INDUSTRIAL FAN PERFORMANCE TABLE

A-09

OUTLET _____
0.44 SQ. FT. INSIDE AREA
9" x 7 1/2" OUTSIDE DIAMETER

WHEEL DIAMETER — 15 5/8"
TIP SPEED (FPM) = 4.09 X RPM

INLET _____
0.44 SQ. FT. INSIDE AREA
9 1/4" OUTSIDE DIAMETER

VOL. CFM	OUTLET VEL. FPM	.5 S.P.		1 S.P.		1.5 S.P.		2 S.P.		2.5 S.P.		3 S.P.		3.5 S.P.		4 S.P.		5 S.P.		6 S.P.	
		RPM	BHP	RPM	BHP	RPM	BHP	RPM	BHP	RPM	BHP	RPM	BHP	RPM	BHP	RPM	BHP	RPM	BHP	RPM	BHP
440	1000	667	0.06	882	0.11																
528	1200	705	0.08	909	0.14	1077	0.20	1225	0.27												
616	1400	752	0.10	941	0.17	1103	0.24	1245	0.32	1374	0.40										
704	1600	804	0.13	977	0.20	1134	0.29	1272	0.37	1396	0.46	1512	0.55	1621	0.64						
792	1800	859	0.16	1021	0.24	1167	0.33	1302	0.43	1424	0.52	1536	0.62	1641	0.72	1741	0.82				
880	2000	917	0.20	1069	0.29	1205	0.38	1334	0.49	1454	0.59	1563	0.70	1666	0.80	1763	0.91	1945	1.14		
968	2200	976	0.24	1120	0.34	1249	0.44	1370	0.55	1485	0.66	1594	0.78	1694	0.90	1790	1.01	1967	1.25	2131	1.50
1056	2400	1038	0.30	1174	0.40	1297	0.51	1411	0.62	1520	0.74	1625	0.87	1725	0.99	1818	1.12	1993	1.38	2154	1.64
1144	2600	1101	0.36	1230	0.47	1347	0.59	1456	0.71	1559	0.83	1660	0.96	1757	1.10	1849	1.23	2021	1.51	2179	1.79
1232	2800	1164	0.43	1288	0.55	1400	0.67	1504	0.80	1603	0.93	1698	1.07	1792	1.21	1882	1.35	2051	1.65	2207	1.94
1320	3000	1229	0.50	1347	0.64	1455	0.77	1555	0.90	1650	1.04	1741	1.18	1830	1.33	1917	1.48	2082	1.79	2236	2.11
1408	3200	1360	0.59	1408	0.73	1511	0.87	1607	1.02	1699	1.16	1787	1.31	1872	1.46	1955	1.62	2116	1.95	2267	2.28
1496	3400	1427	0.69	1470	0.84	1569	0.99	1662	1.14	1750	1.29	1835	1.45	1917	1.61	1996	1.77	2151	2.11	2300	2.46
1584	3600	1494	0.80	1532	0.96	1628	1.12	1718	1.28	1803	1.44	1885	1.60	1965	1.77	2041	1.94	2190	2.28	2334	2.65
1672	3800	1562	0.92	1596	1.09	1688	1.26	1775	1.43	1858	1.59	1937	1.76	2014	1.94	2088	2.11	2232	2.47	2371	2.85
1760	4000	1630	1.05	1659	1.23	1749	1.41	1834	1.56	1914	1.76	1990	1.94	2065	2.12	2137	2.30	2276	2.68	2410	3.06
1848	4200	1699	1.20	1724	1.39	1811	1.58	1893	1.76	1971	1.95	2045	2.13	2118	2.32	2188	2.51	2323	2.90	2453	3.30
1936	4400	1768	1.36	1789	1.56	1874	1.76	1953	1.95	2029	2.14	2101	2.34	2171	2.53	2240	2.73	2372	3.13	2498	3.54
2024	4600	1837	1.53	1855	1.74	1937	1.95	2014	2.15	2088	2.35	2159	2.56	2227	2.76	2293	2.96	2422	3.38	2545	3.81
2112	4800	1906	1.72	1921	1.94	2001	2.16	2076	2.37	2147	2.58	2217	2.79	2283	3.00	2348	3.22	2473	3.65	2593	4.09
2200	5000	1975	1.92	1988	2.15	2065	2.38	2138	2.60	2208	2.82	2275	3.04	2341	3.26	2404	3.48	2526	3.93	2643	4.39
2288	5200	2045	2.14	2055	2.38	2130	2.62	2201	2.85	2269	3.08	2335	3.31	2399	3.54	2460	3.77	2579	4.23	2694	4.70
2376	5400	2116	2.38	2122	2.63	2195	2.88	2265	3.12	2331	3.36	2395	3.60	2458	3.83	2518	4.07	2634	4.55	2746	5.03
2464	5600	2186	2.64	2190	2.89	2260	3.15	2329	3.40	2394	3.65	2456	3.90	2517	4.15	2576	4.39	2690	4.89	2799	5.38
2552	5800	2186	2.91	2258	3.18	2326	3.44	2393	3.70	2457	3.97	2518	4.22	2577	4.48	2635	4.73	2747	5.24	2854	5.76

VOL. CFM	OUTLET VEL. FPM	7 S.P.		8 S.P.		9 S.P.		10 S.P.		11 S.P.		12 S.P.		13 S.P.		14 S.P.		15 S.P.		16 S.P.	
		RPM	BHP	RPM	BHP	RPM	BHP	RPM	BHP	RPM	BHP	RPM	BHP	RPM	BHP	RPM	BHP	RPM	BHP	RPM	BHP
1056	2400	2305	1.91	2449	2.19																
1144	2600	2327	2.07	2467	2.36	2602	2.66														
1232	2800	2352	2.24	2490	2.55	2622	2.86	2748	3.18	2871	3.51										
1320	3000	2380	2.43	2516	2.75	2645	3.08	2769	3.41	2888	3.75	3004	4.09								
1408	3200	2409	2.62	2544	2.96	2671	3.30	2793	3.65	2910	4.00	3024	4.36	3134	4.73	3242	5.10				
1496	3400	2440	2.82	2573	3.17	2699	3.54	2819	3.90	2934	4.27	3046	4.64	3155	5.02	3260	5.41	3363	5.80	3464	6.20
1584	3600	2472	3.02	2604	3.40	2728	3.78	2847	4.16	2961	4.55	3071	4.94	3178	5.33	3282	5.73	3383	6.13	3481	6.54
1672	3800	2505	3.24	2635	3.64	2759	4.04	2876	4.44	2989	4.84	3098	5.24	3204	5.65	3306	6.07	3406	6.49	3503	6.91
1760	4000	2541	3.47	2668	3.88	2789	4.30	2907	4.72	3018	5.14	3127	5.56	3231	5.99	3332	6.42	3430	6.85	3526	7.29
1848	4200	2579	3.71	2703	4.14	2822	4.57	2938	5.01	3050	5.45	3156	5.89	3260	6.34	3360	6.78	3457	7.23	3552	7.69
1936	4400	2620	3.97	2740	4.41	2857	4.86	2970	5.31	3080	5.77	3188	6.24	3289	6.70	3389	7.16	3486	7.63	3579	8.10
2024	4600	2663	4.24	2779	4.69	2893	5.15	3005	5.63	3113	6.10	3218	6.58	3322	7.07	3418	7.55	3514	8.04	3608	8.53
2112	4800	2709	4.54	2821	4.99	2932	5.47	3041	5.95	3147	6.45	3251	6.95	3351	7.45	3449	7.95	3544	8.45	3637	8.96
2200	5000	2756	4.85	2866	5.32	2973	5.80	3079	6.30	3183	6.81	3285	7.32	3384	7.84	3481	8.36	3575	8.89	3667	9.41
2288	5200	2805	5.18	2912	5.66	3016	6.16	3119	6.66	3220	7.18	3320	7.71	3418	8.25	3514	8.79	3607	9.33		
2376	5400	2855	5.53	2960	6.03	3062	6.53	3161	7.05	3260	7.58	3358	8.12	3454	8.67	3548	9.22	3640	9.78		
2464	5600	2906	5.89	3009	6.41	3109	6.93	3206	7.45	3302	7.99	3397	8.54	3491	9.11	3583	9.68				
2552	5800	2958	6.28	3059	6.81	3157	7.34	3252	7.88	3346	8.43	3438	8.99	3530	9.57	3620	10.15				
2640	6000	3011	6.68	3110	7.23	3206	7.78	3300	8.33	3392	8.90	3482	9.47	3571	10.05	3659	10.64				
2728	6200	3065	7.11	3162	7.67	3256	8.23	3349	8.81	3439	9.38	3527	9.96	3614	10.56						
2816	6400	3120	7.56	3215	8.13	3308	8.71	3398	9.30	3487	9.89	3574	10.49	3659	11.09						
2904	6600	3176	8.03	3269	8.62	3360	9.21	3449	9.81	3536	10.42	3622	11.03								

Data in **bold** indicates the quietest and most efficient performance.
 BHP does not include drive losses.
 Performance shown is for Industrial Fans with inlet and outlet ducts.



PEERLESS BLOWERS INDUSTRIAL FAN PERFORMANCE TABLE

A-11

OUTLET _____
0.657 SQ. FT. INSIDE AREA
11" x 9 1/16" OUTSIDE DIAMETER

WHEEL DIAMETER — 19 1/8"
TIP SPEED (FPM) = 5.01 X RPM

INLET _____
0.66 SQ. FT. INSIDE AREA
11 1/4" OUTSIDE DIAMETER

VOL. CFM	OUTLET VEL. FPM	.5 S.P.		1 S.P.		1.5 S.P.		2 S.P.		2.5 S.P.		3 S.P.		3.5 S.P.		4 S.P.		5 S.P.		6 S.P.	
		RPM	BHP	RPM	BHP	RPM	BHP	RPM	BHP	RPM	BHP	RPM	BHP	RPM	BHP	RPM	BHP	RPM	BHP	RPM	BHP
657	1000	546	0.09	721	0.17																
788	1200	577	0.12	744	0.21	881	0.31	1002	0.41												
920	1400	615	0.15	770	0.25	903	0.36	1019	0.48	1124	0.59										
1051	1600	658	0.19	800	0.30	927	0.43	1041	0.55	1142	0.68	1237	0.81	1326	0.95						
1183	1800	703	0.24	835	0.36	955	0.49	1065	0.64	1165	0.78	1256	0.92	1343	1.07	1424	1.22				
1314	2000	750	0.30	874	0.43	986	0.57	1091	0.72	1189	0.88	1279	1.04	1363	1.20	1443	1.36	1591	1.70		
1445	2200	799	0.36	916	0.51	1022	0.66	1121	0.82	1215	0.99	1304	1.16	1386	1.34	1464	1.51	1609	1.87	1744	2.24
1577	2400	849	0.44	960	0.60	1061	0.76	1154	0.93	1244	1.11	1330	1.30	1411	1.48	1488	1.67	1630	2.06	1762	2.45
1708	2600	901	0.53	1007	0.70	1102	0.88	1191	1.06	1276	1.24	1358	1.44	1437	1.64	1513	1.84	1654	2.25	1783	2.67
1840	2800	953	0.64	1054	0.82	1145	1.01	1231	1.20	1312	1.39	1390	1.60	1466	1.81	1539	2.02	1678	2.46	1806	2.90
1971	3000	1005	0.75	1102	0.95	1190	1.15	1272	1.35	1350	1.56	1424	1.77	1497	1.99	1568	2.21	1704	2.68	1830	3.15
2102	3200	1059	0.88	1152	1.10	1236	1.31	1315	1.52	1390	1.74	1462	1.96	1531	2.19	1599	2.42	1731	2.91	1855	3.41
2234	3400	1113	1.03	1203	1.26	1284	1.48	1360	1.70	1432	1.93	1502	2.17	1568	2.40	1633	2.64	1760	3.15	1881	3.68
2365	3600	1168	1.19	1254	1.43	1332	1.67	1405	1.91	1475	2.15	1542	2.39	1607	2.64	1670	2.89	1792	3.41	1910	3.96
2497	3800	1223	1.37	1305	1.63	1381	1.88	1452	2.13	1520	2.38	1585	2.63	1648	2.89	1709	3.16	1826	3.69	1940	4.26
2628	4000	1278	1.57	1358	1.84	1431	2.11	1500	2.37	1566	2.63	1628	2.90	1690	3.17	1749	3.44	1862	4.00	1972	4.58
2759	4200	1334	1.79	1411	2.07	1482	2.35	1549	2.63	1612	2.91	1673	3.18	1733	3.46	1790	3.75	1901	4.33	2007	4.92
2891	4400	1390	2.03	1464	2.33	1533	2.62	1598	2.91	1660	3.20	1719	3.49	1777	3.78	1833	4.08	1941	4.68	2044	5.29
3022	4600	1446	2.29	1517	2.60	1585	2.91	1648	3.21	1708	3.52	1766	3.82	1822	4.12	1876	4.43	1981	5.05	2082	5.69
3154	4800	1503	2.57	1572	2.90	1637	3.22	1699	3.54	1757	3.86	1814	4.17	1868	4.49	1921	4.80	2023	5.45	2122	6.11
3285	5000	1559	2.87	1626	3.22	1689	3.55	1750	3.89	1806	4.22	1862	4.55	1915	4.88	1967	5.20	2066	5.87	2163	6.55
3416	5200	1616	3.20	1681	3.56	1742	3.91	1801	4.26	1857	4.61	1910	4.95	1963	5.29	2013	5.63	2110	6.32	2204	7.02
3548	2400	1674	3.56	1736	3.93	1796	4.30	1853	4.66	1908	5.02	1960	5.37	2011	5.73	2060	6.08	2155	6.79	2247	7.52
3679	5600	1731	3.94	1792	4.32	1849	4.70	1905	5.08	1959	5.46	2010	5.83	2059	6.19	2108	6.56	2201	7.30	2290	8.04
3811	5800	1789	4.35	1847	4.75	1903	5.14	1958	5.53	2010	5.92	2060	6.31	2109	6.69	2156	7.07	2247	7.83	2335	8.60

VOL. CFM	OUTLET VEL. FPM	7 S.P.		8 S.P.		9 S.P.		10 S.P.		11 S.P.		12 S.P.		13 S.P.		14 S.P.		15 S.P.		16 S.P.	
		RPM	BHP	RPM	BHP	RPM	BHP	RPM	BHP	RPM	BHP	RPM	BHP	RPM	BHP	RPM	BHP	RPM	BHP	RPM	BHP
1577	2400	1886	2.85	2004	3.27																
1708	2600	1904	3.09	2019	3.53	2129	3.98														
1840	2800	1925	3.35	2037	3.81	2145	4.28	2248	4.75	2349	5.25										
1971	3000	1948	3.63	2058	4.11	2164	4.59	2266	5.09	2363	5.60	2458	6.12								
2102	3200	1971	3.91	2081	4.42	2185	4.93	2285	5.45	2381	5.98	2474	6.52	2564	7.06	2652	7.62				
2234	3400	1996	4.21	2105	4.74	2208	5.28	2306	5.83	2401	6.38	2492	6.94	2591	7.50	2667	8.08	2751	8.66	2834	9.26
2365	3600	2022	4.52	2131	5.09	2232	5.65	2329	6.22	2423	6.79	2513	7.37	2600	7.96	2685	8.56	2768	9.16	2848	9.77
2497	3800	2050	4.84	2156	5.43	2257	6.03	2353	6.63	2446	7.23	2535	7.83	2621	8.44	2705	9.06	2787	9.69	2866	10.32
2628	4000	2079	5.18	2183	5.80	2282	6.42	2379	7.05	2470	7.68	2558	8.31	2644	8.95	2726	9.59	2807	10.23	2885	10.89
2759	4200	2110	5.54	2211	6.18	2309	6.83	2404	7.48	2495	8.15	2582	8.80	2667	9.47	2749	10.14	2829	10.81	2906	11.48
2891	4400	2143	5.93	2242	6.58	2337	7.25	2430	7.94	2520	8.62	2608	9.32	2691	10.00	2773	10.70	2852	11.40	2929	12.10
3022	4600	2179	6.34	2274	7.01	2367	7.70	2458	8.40	2547	9.12	2633	9.83	2718	10.57	2797	11.28	2875	12.00	2952	12.74
3154	4800	2216	6.78	2308	7.46	2399	8.17	2488	8.89	2575	9.63	2660	10.38	2742	11.12	2822	11.88	2900	12.63	2976	13.39
3285	5000	2255	7.24	2345	7.95	2432	8.67	2519	9.41	2604	10.17	2687	10.94	2769	11.71	2848	12.49	2925	13.27		
3416	5200	2295	7.74	2382	8.46	2468	9.19	2552	9.95	2635	10.73	2717	11.52	2797	12.32	2875	13.12	2951	13.93		
3548	2400	2336	8.26	2422	9.00	2505	9.76	2587	10.53	2667	11.32	2747	12.13	2826	12.95	2903	13.78	2978	14.62		
3679	5600	2377	8.80	2462	9.57	2543	10.35	2623	11.13	2702	11.94	2779	12.76	2856	13.60	2932	14.46				
3811	5800	2420	9.38	2503	10.17	2583	10.97	2661	11.78	2738	12.60	2813	13.43	2888	14.29	2962	15.16				
3942	6000	2463	9.98	2544	10.79	2623	11.62	2700	12.45	2775	13.29	2849	14.14	2922	15.01	2994	15.90				
4073	6200	2508	10.62	2587	11.45	2664	12.30	2740	13.16	2814	14.02	2886	14.88	2957	15.77						
4205	6400	2553	11.29	2630	12.15	2706	13.01	2780	13.89	2853	14.78	2924	15.66	2994	16.57						
4336	6600	2598	12.00	2674	12.87	2749	13.76	2822	14.66	2893	15.57	2963	16.48								

Data in **bold** indicates the quietest and most efficient performance.
 BHP does not include drive losses.
 Performance shown is for Industrial Fans with inlet and outlet ducts.



PEERLESS BLOWERS INDUSTRIAL FAN PERFORMANCE TABLE

A-13

OUTLET _____
0.918 SQ. FT. INSIDE AREA
13" x 10 1/2" OUTSIDE DIAMETER

WHEEL DIAMETER — 22 5/8"
TIP SPEED (FPM) = 5.92 X RPM

INLET _____
0.92 SQ. FT. INSIDE AREA
13 1/4" OUTSIDE DIAMETER

VOL. CFM	OUTLET VEL. FPM	.5 S.P.		1 S.P.		1.5 S.P.		2 S.P.		2.5 S.P.		3 S.P.		3.5 S.P.		4 S.P.		5 S.P.		6 S.P.	
		RPM	BHP	RPM	BHP	RPM	BHP	RPM	BHP	RPM	BHP	RPM	BHP	RPM	BHP	RPM	BHP	RPM	BHP	RPM	BHP
918	1000	462	0.13	610	0.24																
1102	1200	488	0.16	629	0.29	745	0.43	848	0.57												
1285	1400	521	0.21	651	0.35	764	0.51	862	0.67	951	0.83										
1469	1600	556	0.27	677	0.42	785	0.59	880	0.77	967	0.95	1047	1.14	1122	1.33						
1652	1800	595	0.33	707	0.50	808	0.69	901	0.89	986	1.09	1063	1.29	1136	1.49	1205	1.71				
1836	2000	635	0.41	740	0.60	834	0.80	923	1.01	1006	1.23	1082	1.45	1153	1.67	1221	1.90	1346	2.37		
2020	2200	676	0.51	775	0.71	865	0.92	948	1.15	1028	1.39	1103	1.63	1173	1.87	1239	2.11	1362	2.61	1476	3.13
2203	2400	719	0.62	813	0.84	898	1.07	977	1.30	1053	1.55	1125	1.81	1194	2.07	1259	2.34	1380	2.87	1491	3.42
2387	2600	762	0.74	852	0.98	933	1.23	1008	1.48	1080	1.74	1149	2.01	1216	2.29	1280	2.57	1399	3.15	1508	3.73
2570	2800	806	0.89	892	1.15	969	1.40	1041	1.67	1110	1.94	1176	2.23	1240	2.52	1303	2.83	1420	3.44	1528	4.06
2754	3000	851	1.05	933	1.33	1007	1.60	1076	1.88	1142	2.17	1205	2.47	1267	2.78	1327	3.09	1441	3.74	1548	4.40
2938	3200	896	1.23	975	1.53	1046	1.82	1113	2.12	1176	2.43	1237	2.73	1296	3.05	1353	3.38	1465	4.06	1569	4.76
3121	3400	942	1.44	1018	1.76	1086	2.07	1150	2.38	1212	2.70	1271	3.03	1327	3.36	1382	3.69	1489	4.40	1592	5.13
3305	3600	988	1.66	1061	2.00	1127	2.33	1189	2.66	1248	3.00	1305	3.34	1360	3.69	1413	4.04	1516	4.77	1616	5.53
3588	3800	1035	1.92	1105	2.27	1169	2.62	1229	2.97	1286	3.32	1341	3.68	1394	4.04	1446	4.41	1545	5.16	1641	5.95
3672	4000	1081	2.19	1149	2.57	1211	2.94	1269	3.31	1325	3.68	1378	4.05	1430	4.42	1480	4.81	1576	5.59	1669	6.39
3856	4200	1129	2.50	1194	2.90	1254	3.29	1310	3.67	1364	4.06	1416	4.45	1466	4.84	1515	5.24	1608	6.05	1698	6.88
4039	4400	1176	2.83	1239	3.25	1297	3.66	1352	4.07	1405	4.47	1455	4.87	1503	5.28	1551	5.69	1642	6.54	1729	7.39
4223	4600	1224	3.19	1284	3.63	1341	4.07	1394	4.49	1445	4.91	1494	5.33	1542	5.76	1588	6.18	1677	7.06	1762	7.95
4406	4800	1271	3.59	1330	4.04	1385	4.50	1437	4.95	1487	5.38	1535	5.83	1581	6.27	1625	6.71	1712	7.61	1795	8.53
4590	5000	1319	4.01	1376	4.49	1430	4.96	1480	5.43	1529	5.89	1575	6.35	1620	6.81	1664	7.27	1748	8.20	1830	9.15
4774	5200	1368	4.47	1422	4.97	1474	5.46	1524	5.95	1571	6.43	1616	6.91	1661	7.39	1703	7.86	1786	8.83	1865	9.80
4957	5400	1416	4.97	1469	5.49	1519	6.00	1568	6.51	1614	7.01	1658	7.50	1701	8.00	1743	8.50	1824	9.49	1901	10.50
5141	5600	1465	5.51	1516	6.04	1565	6.57	1612	7.10	1657	7.62	1700	8.14	1743	8.65	1784	9.17	1862	10.19	1938	11.23
5324	5800	1513	6.08	1563	6.63	1611	7.18	1657	7.73	1701	8.27	1743	8.81	1784	9.34	1824	9.87	1902	10.94	1976	12.01

VOL. CFM	OUTLET VEL. FPM	7 S.P.		8 S.P.		9 S.P.		10 S.P.		11 S.P.		12 S.P.		13 S.P.		14 S.P.		15 S.P.		16 S.P.	
		RPM	BHP	RPM	BHP	RPM	BHP	RPM	BHP	RPM	BHP	RPM	BHP	RPM	BHP	RPM	BHP	RPM	BHP	RPM	BHP
2203	2400	1596	3.98	1696	4.56																
2387	2600	1611	4.32	1708	4.93	1801	5.55														
2570	2800	1629	4.68	1724	5.32	1815	5.97	1902	6.64	1988	7.33										
2754	3000	1648	5.06	1742	5.73	1831	6.42	1917	7.11	2000	7.82	2080	8.54								
2938	3200	1668	5.46	1761	6.17	1849	6.89	1933	7.61	2015	8.35	2093	9.10	2169	9.86	2244	10.64				
3121	3400	1689	5.88	1781	6.62	1868	7.38	1951	8.14	2031	8.90	2109	9.69	2184	10.48	2257	11.28	2328	12.09	2398	12.93
3305	3600	1711	6.31	1803	7.10	1888	7.89	1971	8.69	2050	9.49	2126	10.30	2200	11.12	2272	11.96	2342	12.80	2410	13.65
3588	3800	1735	6.76	1824	7.59	1910	8.42	1991	9.25	2070	10.10	2145	10.94	2218	11.79	2289	12.66	2358	13.53	2425	14.42
3672	4000	1759	7.24	1847	8.10	1931	8.97	2013	9.85	2090	10.72	2165	11.61	2237	12.50	2307	13.39	2375	14.30	2441	15.21
3856	4200	1786	7.74	1871	8.63	1954	9.54	2034	10.45	2111	11.38	2185	12.29	2257	13.22	2326	14.16	2393	15.09	2459	16.04
4039	4400	1814	8.28	1897	9.19	1978	10.13	2056	11.08	2132	12.04	2207	13.02	2277	13.97	2346	14.94	2413	15.92	2478	16.90
4223	4600	1844	8.85	1924	9.79	2003	10.75	2080	11.74	2155	12.73	2228	13.74	2300	14.76	2367	15.75	2433	16.77	2498	17.79
4406	4800	1875	9.46	1953	10.42	2030	11.41	2105	12.42	2179	13.45	2250	14.49	2320	15.54	2388	16.59	2454	17.64	2518	18.70
4590	5000	1908	10.12	1984	11.10	2058	12.10	2131	13.14	2204	14.20	2274	15.27	2343	16.36	2410	17.45	2475	18.54		
4774	5200	1942	10.81	2016	11.81	2088	12.84	2159	13.90	2230	14.89	2299	16.09	2366	17.20	2433	18.33	2497	19.46		
4957	5400	1976	11.53	2049	12.57	2120	13.63	2189	14.70	2257	15.81	2325	16.94	2391	18.08	2456	19.25	2520	20.41		
5141	5600	2012	12.29	2083	13.37	2152	14.45	2220	15.55	2286	16.67	2352	17.83	2417	19.00	2481	20.19				
5324	5800	2048	13.10	2118	14.20	2186	15.32	2252	16.45	2316	17.59	2380	18.76	2444	19.96	2506	21.18				
5508	6000	2084	13.94	2153	15.08	2220	16.23	2285	17.39	2348	18.56	2411	19.75	2472	20.96	2533	22.20				
5692	6200	2122	14.84	2189	16.00	2254	17.18	2318	18.37	2381	19.58	2442	20.79	2502	22.02						
5875	6400	2160	15.77	2226	16.96	2290	18.17	2353	19.40	2414	20.64	2474	21.88	2533	23.14						
6059	6600	2198	16.76	2263	17.98	2326	19.22	2388	20.47	2448	21.74	2507	23.02								

Data in **bold** indicates the quietest and most efficient performance.
 BHP does not include drive losses.
 Performance shown is for Industrial Fans with inlet and outlet ducts.



PEERLESS BLOWERS INDUSTRIAL FAN PERFORMANCE TABLE

A-15

OUTLET _____
1.222 SQ. FT. INSIDE AREA
15" x 12 1/8" OUTSIDE DIAMETER

WHEEL DIAMETER — 26 1/8"
TIP SPEED (FPM) = 6.84 X RPM

INLET _____
1.23 SQ. FT. INSIDE AREA
15 1/4" OUTSIDE DIAMETER

VOL. CFM	OUTLET VEL. FPM	.5 S.P.		1 S.P.		1.5 S.P.		2 S.P.		2.5 S.P.		3 S.P.		3.5 S.P.		4 S.P.		5 S.P.		6 S.P.	
		RPM	BHP	RPM	BHP	RPM	BHP	RPM	BHP	RPM	BHP	RPM	BHP	RPM	BHP	RPM	BHP	RPM	BHP	RPM	BHP
1222	1000	400	0.17	529	0.32																
1466	1200	423	0.22	546	0.39	646	0.57	735	0.76												
1711	1400	451	0.28	564	0.47	662	0.68	747	0.89	824	1.10										
1955	1600	482	0.35	586	0.56	680	0.79	763	1.03	838	1.27	907	1.51	972	1.77						
2200	1800	515	0.44	612	0.67	700	0.92	781	1.18	854	1.45	921	1.71	985	1.99	1044	2.27				
2444	2000	550	0.55	641	0.80	723	1.06	800	1.35	872	1.64	938	1.93	1000	2.23	1058	2.53	1167	3.16		
2688	2200	586	0.68	672	0.95	749	1.23	822	1.53	891	1.84	956	2.17	1017	2.49	1074	2.81	1180	3.48	1279	4.17
2933	2400	623	0.82	704	1.12	778	1.42	846	1.73	912	2.07	975	2.41	1035	2.76	1091	3.11	1196	3.82	1292	4.55
3177	2600	660	0.99	738	1.31	808	1.63	874	1.97	936	2.31	996	2.68	1054	3.05	1109	3.43	1213	4.19	1307	4.96
3422	2800	699	1.18	773	1.53	840	1.87	903	2.22	962	2.59	1019	2.97	1075	3.36	1129	3.76	1231	4.58	1324	5.40
3666	3000	737	1.40	808	1.77	873	2.13	933	2.51	990	2.89	1045	3.29	1098	3.70	1150	4.12	1249	4.98	1342	5.86
3910	3200	776	1.64	845	2.04	907	2.43	964	2.82	1020	3.23	1072	3.64	1123	4.06	1173	4.50	1269	5.41	1360	6.34
4155	3400	816	1.91	882	2.34	941	2.75	997	3.17	1050	3.59	1101	4.03	1150	4.47	1198	4.92	1291	5.86	1380	6.84
4399	3600	856	2.21	919	2.67	977	3.11	1031	3.55	1082	3.99	1131	4.45	1179	4.91	1225	5.38	1314	6.35	1400	7.36
4644	3800	897	2.55	957	3.03	1013	3.49	1065	3.96	1115	4.43	1162	4.90	1208	5.38	1253	5.87	1339	6.87	1422	7.92
4888	4000	937	2.92	996	3.42	1050	3.92	1100	4.41	1148	4.90	1194	5.39	1239	5.89	1282	6.40	1366	7.44	1446	8.51
5132	4200	978	3.33	1034	3.86	1087	4.38	1136	4.89	1182	5.40	1227	5.92	1271	6.44	1313	6.97	1394	8.05	1472	9.15
5377	4400	1019	3.77	1073	4.33	1124	4.88	1172	5.41	1217	5.95	1261	6.49	1303	7.03	1344	7.58	1423	8.70	1499	9.84
5621	4600	1061	4.25	1113	4.83	1162	5.41	1208	5.98	1253	6.54	1295	7.10	1336	7.67	1376	8.23	1453	9.40	1527	10.58
5866	4800	1102	4.78	1153	5.38	1200	5.99	1246	6.58	1288	7.17	1330	7.76	1370	8.34	1409	8.93	1484	10.13	1556	11.36
6110	5000	1143	5.34	1193	5.98	1239	6.61	1283	7.23	1325	7.84	1365	8.45	1404	9.07	1442	9.68	1515	10.92	1586	12.18
6354	5200	1185	5.96	1233	6.62	1278	7.28	1321	7.93	1362	8.56	1401	9.20	1439	9.83	1476	10.47	1548	11.75	1616	13.05
6599	5400	1227	6.62	1273	7.31	1317	7.99	1359	8.67	1399	9.33	1437	9.99	1475	10.65	1511	11.31	1581	12.64	1648	13.98
6843	5600	1269	7.33	1314	8.04	1356	8.75	1397	9.45	1436	10.15	1474	10.83	1510	11.52	1546	12.20	1614	13.57	1680	14.96
7088	5800	1312	8.09	1355	8.83	1396	9.56	1436	10.29	1474	11.02	1511	11.73	1546	12.43	1581	13.14	1648	14.56	1712	15.99

VOL. CFM	OUTLET VEL. FPM	7 S.P.		8 S.P.		9 S.P.		10 S.P.		11 S.P.		12 S.P.		13 S.P.		14 S.P.		15 S.P.		16 S.P.	
		RPM	BHP	RPM	BHP	RPM	BHP	RPM	BHP	RPM	BHP	RPM	BHP	RPM	BHP	RPM	BHP	RPM	BHP	RPM	BHP
2933	2400	1383	5.30	1470	6.08																
3177	2600	1396	5.75	1480	6.56	1561	7.39														
3422	2800	1411	6.23	1494	7.08	1573	7.95	1649	8.84	1723	9.76										
3666	3000	1428	6.74	1509	7.63	1587	8.54	1661	9.47	1733	10.41	1802	11.37								
3910	3200	1446	7.27	1526	8.22	1602	9.17	1676	10.13	1746	11.12	1814	12.12	1880	13.13	1945	14.17				
4155	3400	1464	7.82	1544	8.82	1619	9.82	1691	10.83	1761	11.86	1828	12.90	1893	13.95	1956	15.02	2018	16.10	2078	17.22
4399	3600	1483	8.40	1562	9.46	1637	10.50	1708	11.56	1777	12.63	1843	13.71	1907	14.81	1969	15.92	2030	17.04	2089	18.18
4644	3800	1503	9.00	1581	10.10	1655	11.22	1726	12.32	1794	13.44	1859	14.57	1922	15.70	1984	16.85	2043	18.02	2102	19.19
4888	4000	1525	9.63	1601	10.78	1674	11.94	1744	13.11	1811	14.27	1876	15.45	1939	16.64	1999	17.83	2058	19.03	2116	20.25
5132	4200	1547	10.30	1622	11.49	1693	12.70	1763	13.91	1830	15.15	1894	16.37	1956	17.61	2016	18.85	2074	20.09	2131	21.35
5377	4400	1572	11.02	1644	12.24	1714	13.49	1782	14.76	1848	16.03	1913	17.33	1973	18.60	2033	19.89	2091	21.19	2148	22.50
5621	4600	1598	11.78	1668	13.03	1736	14.32	1803	15.63	1868	16.95	1931	18.29	1993	19.65	2051	20.97	2109	22.32	2165	23.68
5866	4800	1625	12.60	1693	13.87	1759	15.19	1824	16.54	1888	17.91	1950	19.29	2011	20.69	2069	22.08	2127	23.49	2182	24.89
6110	5000	1654	13.47	1719	14.77	1784	16.11	1847	17.49	1910	18.91	1971	20.34	2030	21.78	2088	23.23	2145	24.68		
6354	5200	1683	14.39	1747	15.73	1810	17.10	1871	18.50	1932	19.95	1992	21.42	2051	22.91	2108	24.41	2164	25.91		
6599	5400	1713	15.35	1776	16.74	1837	18.14	1897	19.57	1956	21.04	2015	22.55	2072	24.08	2129	25.62	2184	27.18		
6843	5600	1743	16.36	1805	17.80	1865	19.24	1924	20.70	1981	22.20	2038	23.73	2095	25.30	2150	26.88				
7088	5800	1775	17.43	1835	18.91	1894	20.40	1951	21.90	2008	23.42	2063	24.98	2118	26.57	2172	28.19				
7332	6000	1806	18.56	1866	20.07	1924	21.61	1980	23.15	2035	24.71	2089	26.29	2143	27.91						
7576	6200	1839	19.75	1897	21.30	1954	22.87	2009	24.46	2063	26.06	2116	27.68	2168	29.32						
7821	6400	1872	21.00	1929	22.59	1985	24.19	2039	25.83	2092	27.47	2144	29.13								
8065	6600	1905	22.31	1961	23.94	2016	25.58	2069	27.25	2122	28.95	2173	30.65								

Data in **bold** indicates the quietest and most efficient performance.
 BHP does not include drive losses.
 Performance shown is for Industrial Fans with inlet and outlet ducts.



PEERLESS BLOWERS INDUSTRIAL FAN PERFORMANCE TABLE

A-17

OUTLET _____
1.57 SQ. FT. INSIDE AREA
17" x 13 3/4" OUTSIDE DIAMETER

WHEEL DIAMETER — 29 5/8"
TIP SPEED (FPM) = 7.76 X RPM

INLET _____
1.58 SQ. FT. INSIDE AREA
17 1/4" OUTSIDE DIAMETER

VOL. CFM	OUTLET VEL. FPM	.5 S.P.		1 S.P.		1.5 S.P.		2 S.P.		2.5 S.P.		3 S.P.		3.5 S.P.		4 S.P.		5 S.P.		6 S.P.	
		RPM	BHP	RPM	BHP	RPM	BHP	RPM	BHP	RPM	BHP	RPM	BHP	RPM	BHP	RPM	BHP	RPM	BHP	RPM	BHP
1570	1000	353	0.22	467	0.41																
1884	1200	373	0.28	481	0.50	570	0.73	648	0.98												
2198	1400	398	0.36	498	0.60	584	0.87	659	1.14	727	1.42										
2512	1600	425	0.45	517	0.72	600	1.02	673	1.32	739	1.63	800	1.95	858	2.27						
2826	1800	455	0.57	540	0.86	618	1.18	689	1.52	754	1.86	813	2.20	869	2.56	922	2.92				
3140	2000	485	0.71	566	1.03	638	1.37	706	1.73	770	2.11	828	2.48	882	2.86	933	3.25	1030	4.05		
3454	2200	517	0.87	593	1.22	661	1.58	725	1.96	786	2.37	844	2.78	897	3.19	947	3.61	1041	4.47	1128	5.35
3768	2400	550	1.06	621	1.43	686	1.82	747	2.23	805	2.66	860	3.10	913	3.55	963	4.00	1055	4.91	1140	5.85
4082	2600	583	1.27	651	1.68	713	2.10	771	2.53	826	2.97	879	3.44	930	3.92	979	4.40	1070	5.38	1154	6.37
4396	2800	616	1.52	682	1.96	741	2.40	796	2.86	849	3.32	899	3.81	949	4.32	996	4.83	1086	5.88	1168	6.94
4710	3000	651	1.80	713	2.27	770	2.74	823	3.22	874	3.72	922	4.22	969	4.75	1015	5.29	1102	6.40	1184	7.52
5024	3200	685	2.11	745	2.62	800	3.12	851	3.63	900	4.15	946	4.68	991	5.22	1035	5.78	1120	6.95	1200	8.14
5338	3400	720	2.46	778	3.00	831	3.53	880	4.07	927	4.61	972	5.17	1015	5.74	1057	6.32	1139	7.53	1217	8.78
5652	3600	755	2.84	811	3.43	862	3.99	909	4.56	955	5.13	998	5.71	1040	6.30	1081	6.90	1159	8.15	1236	9.46
5966	3800	791	3.28	845	3.89	894	4.49	940	5.09	983	5.68	1025	6.29	1066	6.91	1106	7.54	1181	8.82	1255	10.17
6280	4000	827	3.75	879	4.40	926	5.03	971	5.66	1013	6.29	1054	6.92	1093	7.56	1132	8.22	1205	9.55	1276	10.94
6594	4200	863	4.27	913	4.95	959	5.62	1002	6.28	1043	6.94	1083	7.60	1121	8.27	1158	8.95	1230	10.34	1298	11.76
6908	4400	899	4.84	947	5.56	992	6.26	1034	6.95	1074	7.64	1112	8.34	1150	9.03	1186	9.74	1256	11.18	1322	12.64
7222	4600	936	5.46	982	6.21	1025	6.95	1066	7.68	1105	8.40	1143	9.12	1179	9.85	1214	10.58	1282	12.07	1347	13.59
7536	4800	972	6.13	1017	6.92	1059	7.69	1099	8.46	1137	9.21	1173	9.96	1209	10.72	1243	11.47	1309	13.01	1373	14.59
7850	5000	1009	6.86	1052	7.68	1093	8.49	1132	9.29	1169	10.07	1205	10.86	1239	11.64	1272	12.43	1337	14.02	1399	15.65
8164	5200	1046	7.65	1088	8.50	1127	9.34	1165	10.18	1201	11.00	1236	11.81	1270	12.63	1303	13.45	1366	15.09	1426	16.77
8478	5400	1083	8.50	1123	9.38	1162	10.26	1199	11.13	1234	11.99	1268	12.83	1301	13.68	1333	14.53	1395	16.23	1454	17.95
8792	5600	1120	9.41	1159	10.33	1197	11.24	1233	12.14	1267	13.04	1300	13.91	1333	14.79	1364	15.67	1424	17.43	1482	19.21
9106	5800	1157	10.39	1195	11.34	1232	12.28	1267	13.22	1301	14.15	1333	15.06	1364	15.97	1395	16.88	1454	18.70	1511	20.54

VOL. CFM	OUTLET VEL. FPM	7 S.P.		8 S.P.		9 S.P.		10 S.P.		11 S.P.		12 S.P.		13 S.P.		14 S.P.		15 S.P.		16 S.P.	
		RPM	BHP	RPM	BHP	RPM	BHP	RPM	BHP	RPM	BHP	RPM	BHP	RPM	BHP	RPM	BHP	RPM	BHP	RPM	BHP
3768	2400	1220	6.81	1297	7.81																
4082	2600	1232	7.39	1306	8.43	1377	9.50														
4396	2800	1245	8.01	1318	9.10	1388	10.21	1455	11.35	1520	12.53										
4710	3000	1260	8.66	1332	9.81	1400	10.97	1466	12.16	1529	13.37	1590	14.61								
5024	3200	1275	9.34	1347	10.55	1414	11.77	1478	13.02	1541	14.28	1601	15.56	1659	16.86	1716	18.20				
5338	3400	1292	10.05	1362	11.33	1429	12.62	1492	13.91	1553	15.23	1613	16.56	1670	17.92	1726	19.29	1780	20.68	1834	22.11
5652	3600	1309	10.79	1379	12.15	1444	13.49	1507	14.85	1568	16.22	1626	17.61	1682	19.02	1738	20.45	1791	21.89	1843	23.35
5966	3800	1326	11.56	1395	12.97	1461	14.41	1523	15.82	1583	17.26	1640	18.71	1696	20.17	1750	21.64	1803	23.14	1855	24.65
6280	4000	1345	12.37	1412	13.85	1477	15.33	1539	16.84	1598	18.33	1655	19.85	1711	21.37	1764	22.90	1816	24.45	1867	26.01
6594	4200	1365	13.23	1431	14.76	1494	16.31	1555	17.87	1615	19.46	1671	21.02	1726	22.61	1779	24.21	1830	25.81	1880	27.42
6908	4400	1387	14.15	1450	15.72	1512	17.33	1573	18.95	1631	20.59	1688	22.26	1741	23.89	1794	25.55	1845	27.22	1895	28.90
7222	4600	1410	15.14	1471	16.74	1532	18.59	1591	20.07	1648	21.78	1704	23.49	1759	25.24	1810	26.94	1861	28.67	1910	30.42
7536	4800	1434	16.19	1494	17.82	1552	19.51	1610	21.24	1666	23.00	1721	24.78	1774	26.57	1826	28.36	1876	30.17	1925	31.97
7850	5000	1459	17.30	1517	18.98	1574	20.70	1630	22.47	1685	24.28	1739	26.12	1792	27.97	1843	29.83	1893	31.70		
8164	5200	1485	18.48	1542	20.20	1597	21.96	1651	23.77	1705	25.62	1758	27.51	1810	29.42	1860	31.35	1910	33.28		
8478	5400	1511	19.72	1567	21.50	1621	23.30	1674	25.14	1726	27.03	1778	28.96	1828	30.92	1878	32.91	1927	34.91		
8792	5600	1538	21.02	1593	22.86	1646	24.72	1697	26.59	1748	28.51	1798	30.48	1848	32.49	1897	34.53				
9106	5800	1566	22.39	1619	24.29	1671	26.20	1722	28.13	1771	30.08	1820	32.08	1869	34.13	1917	36.21				
9420	6000	1594	23.84	1646	25.78	1697	27.75	1747	29.74	1796	31.74	1843	33.77	1891	35.85						
9734	6200	1623	25.37	1674	27.36	1724	29.38	1773	31.42	1821	33.47	1867	35.55	1913	37.66						
10048	6400	1652	26.97	1702	29.01	1751	31.07	1799	33.18	1846	35.29	1892	37.41								
10362	6600	1681	28.65	1730	30.74	1779	32.86	1826	35.01	1872	37.18	1917	39.36								

Data in **bold** indicates the quietest and most efficient performance.
 BHP does not include drive losses.
 Performance shown is for Industrial Fans with inlet and outlet ducts.



PEERLESS BLOWERS INDUSTRIAL FAN PERFORMANCE TABLE

A-19

OUTLET _____
1.961 SQ. FT. INSIDE AREA
19" x 15 3/8" OUTSIDE DIAMETER

WHEEL DIAMETER — 33"
TIP SPEED (FPM) = 8.64 X RPM

INLET _____
1.97 SQ. FT. INSIDE AREA
19 1/4" OUTSIDE DIAMETER

VOL. CFM	OUTLET VEL. FPM	.5 S.P.		1 S.P.		1.5 S.P.		2 S.P.		2.5 S.P.		3 S.P.		3.5 S.P.		4 S.P.		5 S.P.		6 S.P.	
		RPM	BHP	RPM	BHP	RPM	BHP	RPM	BHP	RPM	BHP	RPM	BHP	RPM	BHP	RPM	BHP	RPM	BHP	RPM	BHP
1961	1000	316	0.27	418	0.51																
2353	1200	334	0.35	431	0.62	510	0.91	580	1.22												
2745	1400	356	0.45	446	0.75	523	1.08	590	1.42	651	1.77										
3138	1600	381	0.57	463	0.90	537	1.27	602	1.65	661	2.03	716	2.43	768	2.84						
3530	1800	407	0.71	483	1.08	553	1.48	617	1.90	674	2.32	727	2.75	777	3.19	825	3.65				
3922	2000	434	0.88	506	1.28	571	1.71	632	2.16	689	2.63	741	3.10	789	3.58	835	4.06	921	5.06		
4314	2200	463	1.09	531	1.52	592	1.97	649	2.45	704	2.96	755	3.48	803	3.99	848	4.51	932	5.58	1010	6.68
4706	2400	492	1.32	556	1.79	614	2.28	668	2.78	720	3.32	770	3.87	817	4.43	861	4.99	944	6.13	1020	7.30
5099	2600	521	1.59	583	2.10	638	2.62	690	3.15	739	3.71	786	4.30	832	4.89	876	5.50	957	6.72	1032	7.96
5491	2800	552	1.90	610	2.45	663	3.00	713	3.57	759	4.15	805	4.76	849	5.39	891	6.04	971	7.34	1045	8.66
5883	3000	582	2.24	638	2.84	689	3.42	737	4.03	782	4.64	825	5.27	867	5.93	908	6.61	986	7.99	1059	9.40
6275	3200	613	2.63	667	3.27	716	3.90	761	4.53	805	5.18	846	5.84	887	6.52	926	7.22	1002	8.68	1074	10.17
6667	3400	644	3.07	696	3.75	743	4.42	787	5.08	829	5.76	869	6.46	908	7.17	946	7.89	1019	9.40	1089	10.97
7060	3600	676	3.55	726	4.28	771	4.98	814	5.69	854	6.40	893	7.13	931	7.87	967	8.62	1037	10.18	1106	11.81
7452	3800	708	4.09	756	4.86	800	5.61	841	6.35	880	7.10	918	7.86	954	8.64	989	9.42	1057	11.02	1123	12.71
7844	4000	740	4.69	786	5.49	829	6.29	869	7.07	906	7.86	943	8.65	978	9.45	1012	10.27	1078	11.93	1142	13.66
8236	4200	772	5.34	817	6.19	858	7.03	897	7.85	933	8.67	969	9.50	1003	10.33	1036	11.18	1100	12.92	1162	14.69
8628	4400	805	6.05	847	6.94	888	7.82	925	8.69	961	9.55	995	10.41	1029	11.28	1061	12.16	1123	13.96	1183	15.79
9021	4600	837	6.82	879	7.76	918	8.68	954	9.59	989	10.49	1022	11.39	1055	12.30	1086	13.21	1147	15.07	1205	16.97
9413	4800	870	7.66	910	8.64	948	9.61	983	10.56	1017	11.50	1050	12.44	1081	13.39	1112	14.33	1171	16.25	1228	18.23
9805	5000	903	8.57	941	9.59	978	10.61	1013	11.60	1046	12.58	1078	13.56	1109	14.55	1139	15.53	1196	17.51	1252	19.55
10197	5200	936	9.56	973	10.62	1009	11.67	1043	12.72	1075	13.74	1106	14.76	1136	15.78	1165	16.80	1222	18.85	1276	20.94
10589	5400	969	10.62	1005	11.72	1040	12.81	1073	13.90	1104	14.98	1135	16.03	1164	17.09	1193	18.15	1248	20.27	1301	22.43
10982	5600	1002	11.76	1037	12.90	1071	14.03	1103	15.17	1134	16.28	1163	17.38	1192	18.48	1220	19.58	1274	21.78	1326	24.00
11374	5800	1035	12.98	1070	14.16	1102	15.34	1133	16.51	1164	17.67	1193	18.82	1221	19.95	1248	21.09	1301	23.36	1352	25.65

VOL. CFM	OUTLET VEL. FPM	7 S.P.		8 S.P.		9 S.P.		10 S.P.		11 S.P.		12 S.P.		13 S.P.		14 S.P.		15 S.P.		16 S.P.	
		RPM	BHP	RPM	BHP	RPM	BHP	RPM	BHP	RPM	BHP	RPM	BHP	RPM	BHP	RPM	BHP	RPM	BHP	RPM	BHP
4706	2400	1092	8.50	1160	9.75																
5099	2600	1102	9.23	1169	10.53	1232	11.86														
5491	2800	1114	10.00	1180	11.37	1242	12.76	1302	14.18	1360	15.65										
5883	3000	1128	10.82	1192	12.25	1253	13.71	1312	15.20	1368	16.71	1423	18.25								
6275	3200	1141	11.67	1205	13.18	1265	14.71	1323	16.26	1379	17.84	1432	19.44	1484	21.07	1535	22.73				
6667	3400	1156	12.55	1219	14.15	1278	15.76	1335	17.38	1390	19.02	1443	20.69	1494	22.38	1544	24.10	1593	25.84	1641	27.62
7060	3600	1171	13.48	1234	15.17	1292	16.85	1349	18.55	1403	20.27	1455	22.00	1505	23.76	1555	25.54	1602	27.34	1649	29.16
7452	3800	1187	14.44	1248	16.21	1307	17.99	1362	19.77	1416	21.57	1468	23.37	1517	25.19	1566	27.04	1613	28.91	1659	30.80
7844	4000	1204	15.46	1264	17.30	1321	19.15	1377	21.04	1430	22.90	1481	24.80	1531	26.69	1578	28.60	1625	30.54	1670	32.49
8236	4200	1222	16.53	1280	18.44	1337	20.37	1392	22.33	1445	24.31	1495	26.26	1544	28.25	1592	30.24	1638	32.24	1682	34.26
8628	4400	1241	17.68	1298	19.64	1353	21.64	1407	23.67	1459	25.72	1510	27.80	1558	29.84	1605	31.92	1651	34.01	1695	36.10
9021	4600	1262	18.91	1316	20.91	1371	22.97	1423	25.07	1475	27.20	1524	29.34	1573	31.53	1619	33.65	1665	35.82	1709	38.00
9413	4800	1283	20.22	1336	22.26	1389	24.37	1440	26.54	1491	28.74	1540	30.96	1587	33.19	1634	35.43	1679	37.68	1723	39.94
9805	5000	1306	21.61	1357	23.70	1408	25.86	1458	28.07	1508	30.33	1556	32.63	1603	34.94	1649	37.27	1693	39.60		
10197	5200	1329	23.08	1379	25.24	1429	27.43	1477	29.69	1525	32.00	1573	34.36	1619	36.75	1664	39.16	1709	41.57		
10589	5400	1352	24.63	1402	26.86	1450	29.11	1498	31.40	1544	33.76	1590	36.18	1636	38.63	1681	41.11	1724	43.61		
10982	5600	1376	26.25	1425	28.56	1472	30.87	1519	33.22	1564	35.62	1609	38.08	1654	40.58	1697	43.13				
11374	5800	1401	27.97	1449	30.34	1495	32.73	1541	35.13	1585	37.58	1629	40.08	1672	42.63	1715	45.23				
11766	6000	1426	29.78	1473	32.20	1519	34.67	1563	37.15	1607	39.65	1649	42.19	1692	44.78	1733	47.43				
12158	6200	1452	31.69	1498	34.17	1542	36.70	1586	39.25	1629	41.81	1671	44.41	1712	47.04						
12550	6400	1478	33.69	1523	36.24	1567	38.81	1610	41.44	1652	44.08	1693	46.74	1733	49.42						
12943	6600	1504	35.79	1548	38.40	1592	41.05	1634	43.73	1675	46.44	1715	49.17								

Data in **bold** indicates the quietest and most efficient performance.
 BHP does not include drive losses.
 Performance shown is for Industrial Fans with inlet and outlet ducts.



PEERLESS BLOWERS INDUSTRIAL FAN PERFORMANCE TABLE

A-21

OUTLET _____
2.41 SQ. FT. INSIDE AREA
21" x 17" OUTSIDE DIAMETER

WHEEL DIAMETER — 36 1/2"
TIP SPEED (FPM) = 9.56 X RPM

INLET _____
2.40 SQ. FT. INSIDE AREA
21 1/4" OUTSIDE DIAMETER

VOL. CFM	OUTLET VEL. FPM	.5 S.P.		1 S.P.		1.5 S.P.		2 S.P.		2.5 S.P.		3 S.P.		3.5 S.P.		4 S.P.		5 S.P.		6 S.P.	
		RPM	BHP	RPM	BHP	RPM	BHP	RPM	BHP	RPM	BHP	RPM	BHP	RPM	BHP	RPM	BHP	RPM	BHP	RPM	BHP
2410	1000	281	0.31	373	0.58																
2892	1200	298	0.40	383	0.71	456	1.04														
3374	1400	317	0.52	397	0.86	465	1.23	527	1.62												
3856	1600	338	0.65	412	1.04	477	1.45	536	1.87	591	2.32	641	2.78								
4338	1800	361	0.82	430	1.25	492	1.69	548	2.15	600	2.63	649	3.13	695	3.65						
4820	2000	385	1.01	450	1.49	509	1.97	562	2.47	612	2.99	659	3.51	703	4.06	746	4.63				
5302	2200	411	1.24	471	1.76	527	2.29	578	2.83	626	3.38	671	3.95	714	4.52	755	5.12	833	6.37		
5784	2400	437	1.51	493	2.07	546	2.64	595	3.22	641	3.82	685	4.42	726	5.04	766	5.66	841	6.97	912	8.34
6266	2600	464	1.82	517	2.42	567	3.03	614	3.66	658	4.29	700	4.94	740	5.59	779	6.26	852	7.62	920	9.05
6748	2800	492	2.18	541	2.81	588	3.47	634	4.14	676	4.81	717	5.50	756	6.20	793	6.90	864	8.34	930	9.82
7230	3000	520	2.58	566	3.25	611	3.95	654	4.66	695	5.38	734	6.11	772	6.85	808	7.59	877	9.11	942	10.67
7712	3200	549	3.04	592	3.74	635	4.48	676	5.24	715	6.00	753	6.78	790	7.55	825	8.34	892	9.94	955	11.57
8194	3400	577	3.55	619	4.29	659	5.07	698	5.87	736	6.68	773	7.49	808	8.31	842	9.14	907	10.82	969	12.53
9676	3600	607	4.13	646	4.90	684	5.71	722	6.55	758	7.40	794	8.27	828	9.13	861	10.00	924	11.76	984	13.56
9158	3800	636	4.77	674	5.57	710	6.41	746	7.30	781	8.19	815	9.10	848	10.01	880	10.92	942	12.77	1000	14.64
9640	4000	666	5.47	701	6.31	736	7.19	770	8.11	804	9.05	837	9.99	869	10.95	900	11.91	960	13.84	1017	15.79
10122	4200	695	6.25	729	7.12	763	8.03	795	8.98	828	9.97	859	10.96	890	11.95	921	12.96	979	14.98	1035	17.02
10604	4400	725	7.10	758	8.00	790	8.95	821	9.94	852	10.96	883	11.99	913	13.03	942	14.08	999	16.19	1053	18.31
11086	4600	756	8.04	786	8.96	817	9.95	848	10.97	877	12.02	907	13.10	936	14.18	964	15.27	1020	17.47	1073	19.68
11568	4800	786	9.05	815	10.00	845	11.03	874	12.08	903	13.16	931	14.28	959	15.41	987	16.54	1040	18.82	1092	21.13
12050	5000	816	10.15	844	11.13	873	12.19	901	13.28	929	14.39	956	15.54	983	16.72	1010	17.89	1062	20.26	1113	22.66
12532	5200			874	12.35	901	13.44	928	14.56	955	15.71	981	16.89	1008	18.10	1033	19.33	1084	21.78	1134	24.26
13014	5400			903	13.66	930	14.78	956	15.94	982	17.13	1007	18.34	1033	19.58	1058	20.85	1107	23.39	1155	25.96
13496	5600			933	15.06	958	16.21	984	17.41	1009	18.63	1034	19.88	1058	21.15	1082	22.46	1130	25.08	1177	27.74
13978	5800			963	16.57	987	17.75	1012	18.98	1036	20.23	1060	21.52	1084	22.82	1107	24.16	1154	26.88	1199	29.62

VOL. CFM	OUTLET VEL. FPM	7 S.P.		8 S.P.		9 S.P.		10 S.P.		11 S.P.		12 S.P.		13 S.P.		14 S.P.		15 S.P.		16 S.P.	
		RPM	BHP	RPM	BHP	RPM	BHP	RPM	BHP	RPM	BHP	RPM	BHP	RPM	BHP	RPM	BHP	RPM	BHP	RPM	BHP
6266	2600	985	10.54																		
6748	2800	994	11.37	1054	12.97	1111	14.61														
7230	3000	1003	12.27	1062	13.92	1119	15.63	1173	17.38												
7712	3200	1015	13.24	1072	14.95	1128	16.71	1181	18.53	1233	20.38	1282	22.27								
8194	3400	1028	14.27	1084	16.05	1138	17.87	1190	19.74	1241	21.66	1290	23.62	1337	25.61						
9676	3600	1042	15.38	1096	17.23	1149	19.11	1200	21.04	1250	23.02	1298	25.03	1345	27.09	1390	29.18	1434	31.30		
9158	3800	1056	16.55	1110	18.48	1162	20.43	1211	22.42	1260	24.45	1307	26.53	1353	28.65	1398	30.81	1442	33.00	1484	35.22
9640	4000	1072	17.78	1124	19.79	1175	21.83	1224	23.89	1271	25.98	1318	28.12	1363	30.29	1407	32.51	1450	34.76	1492	37.05
10122	4200	1088	19.08	1140	21.18	1190	23.30	1238	25.44	1284	27.60	1329	29.80	1374	32.03	1417	34.30	1459	36.61	1501	38.96
10604	4400	1105	20.46	1156	22.63	1205	24.83	1252	27.06	1298	29.30	1342	31.57	1385	33.86	1428	36.19	1469	38.56	1510	40.97
11086	4600	1124	21.91	1173	24.17	1220	26.45	1267	28.75	1312	31.08	1356	33.43	1398	35.80	1440	38.19	1481	40.62	1521	43.08
11568	4800	1142	23.45	1190	25.78	1237	28.14	1283	30.53	1327	32.94	1370	35.37	1412	37.82	1453	40.29	1493	42.78	1532	45.30
12050	5000	1162	25.06	1209	27.48	1254	29.93	1299	32.39	1342	34.88	1385	37.39	1426	39.93	1466	42.47	1506	45.04	1544	47.63
12532	5200	1181	26.76	1228	29.27	1273	31.80	1316	34.34	1359	36.91	1400	39.50	1441	42.12	1481	44.75	1520	47.40	1558	50.07
13014	5400	1202	28.55	1247	31.14	1291	33.75	1334	36.38	1376	39.03	1417	41.70	1457	44.40	1496	47.11	1534	49.85		
13496	5600	1223	30.42	1267	33.11	1310	35.80	1352	38.52	1393	41.25	1433	44.00	1473	46.77	1511	49.57	1549	52.39		
13978	5800	1244	32.37	1288	35.16	1330	37.95	1371	40.75	1412	43.56	1451	46.40	1489	49.25	1527	51.12	1565	55.02		
14460	6000	1266	34.44	1309	37.31	1350	40.19	1391	43.08	1430	45.98	1469	48.90	1507	51.83	1544	54.78				
14942	6200	1288	36.60	1330	39.55	1371	42.53	1411	45.51	1449	48.49	1488	51.50	1525	54.51	1561	57.55				
15424	6400	1311	38.87	1352	41.91	1392	44.96	1431	48.04	1469	51.11	1507	54.20	1543	57.31						
15906	6600	1334	41.24	1374	44.36	1413	47.51	1452	50.67	1489	53.84	1526	57.02	1562	60.21						

Data in **bold** indicates the quietest and most efficient performance.
 BHP does not include drive losses.
 Performance shown is for Industrial Fans with inlet and outlet ducts.



PEERLESS BLOWERS INDUSTRIAL FAN PERFORMANCE TABLE

A-23

OUTLET _____
2.891 SQ. FT. INSIDE AREA
23" x 18 5/8" OUTSIDE DIAMETER

WHEEL DIAMETER — 40"
TIP SPEED (FPM) = 10.47 X RPM

INLET _____
2.88 SQ. FT. INSIDE AREA
23 1/4" OUTSIDE DIAMETER

VOL. CFM	OUTLET VEL. FPM	.5 S.P.		1 S.P.		1.5 S.P.		2 S.P.		2.5 S.P.		3 S.P.		3.5 S.P.		4 S.P.		5 S.P.		6 S.P.	
		RPM	BHP	RPM	BHP	RPM	BHP	RPM	BHP	RPM	BHP	RPM	BHP	RPM	BHP	RPM	BHP	RPM	BHP	RPM	BHP
2891	1000	257	0.37	341	0.69																
3469	1200	272	0.48	350	0.85	416	1.25														
4047	1400	289	0.62	362	1.03	425	1.47	481	1.94												
4626	1600	309	0.79	377	1.25	436	1.73	490	2.24	539	2.78	585	3.34								
5204	1800	329	0.98	393	1.50	449	2.03	500	2.58	548	3.15	593	3.75	635	4.38						
5782	2000	352	1.22	411	1.79	464	2.37	513	2.97	559	3.58	602	4.22	642	4.87	681	5.56				
6360	2200	375	1.49	430	2.11	481	2.75	528	3.39	572	4.06	613	4.73	652	5.43	689	6.14	760	7.64		
6938	2400	399	1.81	450	2.48	499	3.17	543	3.87	586	4.58	625	5.30	663	6.04	699	6.79	768	8.36	832	10.00
7517	2600	424	2.18	472	2.90	518	3.64	560	4.39	601	5.15	639	5.92	676	6.71	711	7.51	778	9.14	840	10.86
8095	2800	449	2.61	494	3.37	537	4.16	578	4.96	617	5.78	654	6.60	690	7.43	724	8.28	789	10.00	849	11.79
8673	3000	475	3.10	517	3.89	558	4.74	597	5.59	635	6.46	671	7.33	705	8.21	738	9.11	801	10.93	860	12.79
9251	3200	501	3.65	541	4.48	579	5.38	617	6.28	653	7.20	688	8.13	721	9.06	753	10.00	814	11.92	872	13.88
9829	3400	527	4.26	565	5.14	602	6.08	638	7.04	672	8.01	706	8.99	738	9.97	769	10.96	828	12.98	885	15.04
10408	3600	554	4.95	590	5.87	625	6.85	659	7.86	692	8.88	725	9.92	756	10.95	786	12.00	844	14.11	899	16.26
10986	3800	581	5.72	615	6.68	648	7.69	681	8.76	713	9.83	744	10.91	774	12.01	804	13.10	860	15.32	913	17.56
11564	4000	608	6.56	640	7.57	672	8.62	703	9.73	734	10.85	764	11.99	793	13.13	822	14.28	877	16.60	929	18.95
12142	4200	635	7.50	666	8.54	697	9.64	726	10.78	756	11.96	785	13.14	813	14.34	841	15.54	894	17.97	945	20.41
12720	4400	662	8.52	692	9.60	721	10.74	750	11.92	778	13.14	806	14.38	833	15.63	860	16.89	912	19.42	962	21.97
13299	4600	690	9.64	718	10.75	746	11.94	774	13.16	801	14.42	828	15.71	854	17.01	880	18.32	931	20.96	979	23.61
13877	4800	718	10.86	744	12.00	772	13.23	798	14.49	824	15.79	850	17.13	876	18.48	901	19.84	950	22.58	997	25.35
14455	5000	745	12.17	771	13.35	797	14.62	823	15.93	848	17.27	873	18.64	898	20.05	922	21.46	970	24.30	1016	27.18
15033	5200			798	14.81	823	16.12	848	17.46	872	18.85	896	20.26	920	21.72	944	23.18	990	26.13	1035	29.10
15611	5400			825	16.38	849	17.73	873	19.12	897	20.54	920	22.00	943	23.49	966	25.01	1011	28.06	1055	31.14
16190	5600			852	18.07	875	19.45	898	20.89	921	22.35	944	23.84	966	25.37	988	26.94	1032	30.09	1075	33.28
16768	5800			879	19.87	901	21.29	924	22.77	946	24.27	968	25.81	990	27.38	1011	28.98	1053	32.25	1095	35.53

VOL. CFM	OUTLET VEL. FPM	7 S.P.		8 S.P.		9 S.P.		10 S.P.		11 S.P.		12 S.P.		13 S.P.		14 S.P.		15 S.P.		16 S.P.	
		RPM	BHP	RPM	BHP	RPM	BHP	RPM	BHP	RPM	BHP	RPM	BHP	RPM	BHP	RPM	BHP	RPM	BHP	RPM	BHP
7517	2600	899	12.64																		
8095	2800	907	13.64	962	15.55	1015	17.52														
8673	3000	916	14.71	970	16.70	1022	18.75	1071	20.85												
9251	3200	927	15.88	979	17.93	1030	20.05	1078	22.23	1125	24.45	1171	26.71								
9829	3400	938	17.12	989	19.25	1039	21.44	1087	23.68	1133	25.98	1177	28.33	1221	30.72						
10408	3600	951	18.45	1001	20.67	1049	22.93	1096	25.24	1141	27.61	1185	30.03	1228	32.50	1269	35.01	1309	37.55		
10986	3800	964	19.85	1013	22.16	1061	24.51	1106	26.90	1150	29.33	1194	31.82	1236	34.36	1277	36.95	1316	39.58	1355	42.24
11564	4000	979	21.33	1027	23.74	1073	26.18	1118	28.66	1161	31.17	1203	33.73	1244	36.33	1285	38.99	1324	41.70	1362	44.44
12142	4200	994	22.89	1041	25.40	1086	27.94	1130	30.51	1172	33.11	1214	35.74	1254	38.42	1294	41.14	1332	43.92	1370	46.74
12720	4400	1009	24.54	1055	27.15	1100	29.79	1143	32.46	1185	35.15	1225	37.87	1265	40.62	1304	43.42	1342	46.26	1379	49.14
13299	4600	1026	26.29	1071	28.99	1114	31.72	1157	34.49	1198	37.29	1238	40.10	1277	42.94	1315	45.81	1352	48.72	1388	51.68
13877	4800	1043	28.13	1087	30.93	1130	33.76	1171	36.62	1211	39.51	1251	42.43	1289	45.37	1326	48.33	1363	51.32	1399	54.34
14455	5000	1061	30.06	1104	32.97	1145	35.90	1186	38.85	1226	41.84	1264	44.86	1302	47.89	1339	50.95	1375	54.03	1410	57.14
15033	5200	1079	32.10	1121	35.11	1162	38.14	1202	41.19	1241	44.27	1279	47.38	1316	50.52	1352	53.68	1388	56.86	1422	60.06
15611	5400	1097	34.24	1139	37.36	1179	40.49	1218	43.64	1256	46.82	1293	50.02	1330	53.26	1366	56.52	1401	59.79		
16190	5600	1116	36.49	1157	39.71	1196	42.95	1235	46.20	1272	49.48	1309	52.78	1345	56.11	1380	59.46	1414	62.84		
16768	5800	1136	38.83	1176	42.18	1214	45.52	1252	48.88	1289	52.26	1325	55.66	1360	59.08	1395	62.52	1428	66.00		
17346	6000	1156	41.31	1195	44.75	1233	48.21	1270	51.67	1306	55.15	1341	58.65	1376	62.17	1410	65.71				
17924	6200	1176	43.90	1214	47.44	1252	51.01	1288	54.59	1323	58.17	1358	61.77	1392	65.39	1426	69.03				
18502	6400	1197	46.62	1234	50.27	1271	53.93	1307	57.62	1341	61.31	1376	65.02	1409	68.74						
19081	6600	1218	49.47	1255	53.22	1290	56.99	1325	60.78	1360	64.58	1393	68.39	1426	72.22						

Data in **bold** indicates the quietest and most efficient performance.
 BHP does not include drive losses.
 Performance shown is for Industrial Fans with inlet and outlet ducts.



PEERLESS BLOWERS INDUSTRIAL FAN PERFORMANCE TABLE

A-26

OUTLET _____
3.694 SQ. FT. INSIDE AREA
26" x 20 7/8" OUTSIDE DIAMETER

WHEEL DIAMETER — 45 1/8"
TIP SPEED (FPM) = 11.81 X RPM

INLET _____
3.69 SQ. FT. INSIDE AREA
26 1/4" OUTSIDE DIAMETER

VOL. CFM	OUTLET VEL. FPM	.5 S.P.		1 S.P.		1.5 S.P.		2 S.P.		2.5 S.P.		3 S.P.		3.5 S.P.		4 S.P.		5 S.P.		6 S.P.	
		RPM	BHP	RPM	BHP	RPM	BHP	RPM	BHP	RPM	BHP	RPM	BHP	RPM	BHP	RPM	BHP	RPM	BHP	RPM	BHP
3694	1000	227	0.47	301	0.89																
4433	1200	240	0.62	309	1.09	368	1.60														
5172	1400	256	0.79	320	1.32	376	1.88	426	2.48												
5910	1600	273	1.00	333	1.60	386	2.22	433	2.86	477	3.55	518	4.27								
6649	1800	291	1.26	348	1.92	397	2.60	443	3.30	485	4.03	524	4.80	561	5.59						
7388	2000	311	1.55	364	2.28	411	3.03	454	3.79	494	4.58	532	5.39	568	6.23	603	7.10				
8127	2200	332	1.90	380	2.70	425	3.51	467	4.34	506	5.18	542	6.05	577	6.94	610	7.85	673	9.76		
8866	2400	353	2.31	398	3.17	441	4.05	481	4.94	518	5.85	553	6.78	587	7.72	619	8.68	679	10.68	736	12.78
9604	2600	375	2.79	417	3.70	458	4.65	496	5.61	532	6.58	566	7.57	598	8.57	629	9.59	688	11.69	743	13.87
10343	2800	397	3.34	437	4.30	475	5.32	512	6.34	546	7.38	579	8.43	610	9.50	641	10.58	698	12.78	751	15.06
11082	3000	420	3.96	457	4.98	494	6.05	528	7.15	562	8.25	593	9.37	624	10.50	653	11.64	709	13.97	761	16.35
11821	3200	443	4.66	478	5.73	513	6.87	546	8.03	578	9.20	608	10.39	638	11.58	666	12.78	720	15.24	771	17.74
12560	3400	466	5.45	500	6.57	532	7.77	564	8.99	595	10.23	624	11.49	653	12.74	680	14.01	733	16.59	783	19.21
13298	3600	490	6.33	522	7.51	553	8.75	583	10.04	612	11.35	641	12.67	669	14.00	695	15.33	746	18.03	795	20.78
14037	3800	514	7.31	544	8.54	573	9.83	602	11.19	630	12.56	658	13.94	685	15.34	711	16.74	761	19.57	808	22.44
14776	4000	538	8.39	566	9.67	595	11.02	622	12.43	649	13.87	676	15.32	702	16.78	727	18.25	775	21.21	821	24.21
15515	4200	562	9.58	589	10.91	616	12.32	643	13.77	668	15.28	694	16.79	719	18.32	744	19.86	791	22.96	836	26.09
16254	4400	586	10.89	612	12.27	638	13.72	663	15.23	688	16.79	713	18.38	737	19.97	761	21.58	807	24.81	851	28.07
16992	4600	610	12.32	635	13.74	660	15.25	685	16.81	709	18.42	732	20.08	756	21.73	779	23.41	823	26.78	866	30.17
17731	4800	635	13.87	659	15.34	683	16.91	706	18.52	729	20.18	752	21.89	775	23.62	797	25.35	840	28.85	882	32.39
18470	5000	659	15.56	682	17.06	705	18.69	728	20.35	750	22.06	772	23.83	794	25.62	816	27.42	858	31.06	899	34.73
19209	5200			706	18.93	728	20.60	750	22.32	772	24.09	793	25.90	814	27.75	835	29.63	876	33.39	916	37.19
19948	5400			730	20.93	751	22.65	772	24.23	793	26.25	814	28.11	834	30.02	854	31.96	894	35.85	933	39.79
20686	5600			753	23.09	774	24.85	795	26.69	815	28.56	835	30.70	855	32.42	874	34.42	913	38.45	951	42.52
21425	5800			778	25.39	797	27.20	817	29.10	837	31.01	856	32.99	875	34.99	894	37.04	932	41.21	969	45.40

VOL. CFM	OUTLET VEL. FPM	7 S.P.		8 S.P.		9 S.P.		10 S.P.		11 S.P.		12 S.P.		13 S.P.		14 S.P.		15 S.P.		16 S.P.	
		RPM	BHP	RPM	BHP	RPM	BHP	RPM	BHP	RPM	BHP	RPM	BHP	RPM	BHP	RPM	BHP	RPM	BHP	RPM	BHP
9604	2600	796	16.15																		
10343	2800	802	17.43	851	19.88	898	22.39														
11082	3000	810	18.80	858	21.34	904	23.96	948	26.64												
11821	3200	820	20.29	866	22.92	911	25.62	954	28.40	996	31.24	1035	34.13								
12560	3400	830	21.88	875	24.60	919	27.40	961	30.27	1002	33.20	1042	36.20	1080	39.25						
13298	3600	841	23.58	885	26.41	928	29.30	969	32.25	1009	35.28	1048	38.37	1086	41.53	1123	44.74	1158	47.98		
14037	3800	853	25.36	897	28.32	938	31.32	979	34.37	1018	37.48	1056	40.67	1093	43.91	1129	47.22	1165	50.58	1199	53.98
14776	4000	866	27.25	908	30.34	949	33.46	989	36.62	1027	39.83	1064	43.10	1101	46.43	1136	49.83	1171	53.28	1205	56.79
15515	4200	879	29.25	921	32.46	961	35.71	1000	38.99	1037	42.31	1074	45.67	1109	49.09	1144	52.58	1179	56.12	1212	59.72
16254	4400	893	31.36	934	34.69	973	38.07	1011	41.48	1048	44.92	1084	48.39	1119	51.91	1153	55.48	1187	59.11	1220	62.80
16992	4600	907	33.59	947	37.05	986	40.54	1023	44.08	1060	47.65	1095	51.24	1129	54.87	1163	58.54	1196	62.26	1228	66.04
17731	4800	923	35.94	961	39.52	999	43.14	1036	46.80	1072	50.49	1106	54.22	1140	57.97	1173	61.75	1206	65.58	1237	69.44
18470	5000	938	38.42	976	42.13	1013	45.87	1049	49.65	1084	53.47	1119	57.32	1152	61.20	1184	65.11	1216	69.04	1247	73.02
19209	5200	954	41.02	992	44.87	1028	48.74	1063	52.64	1097	56.58	1131	60.55	1164	64.56	1196	68.60	1227	72.66	1258	76.75
19948	5400	971	43.76	1007	47.74	1043	51.74	1077	55.77	1111	59.83	1144	63.92	1176	68.06	1208	72.22	1239	76.41	1269	80.62
20686	5600	988	46.62	1023	50.75	1058	54.88	1092	59.04	1125	63.23	1158	67.45	1189	71.70	1221	75.98	1251	80.30		
21425	5800	1005	49.62	1040	53.90	1074	58.17	1108	62.46	1140	66.78	1172	71.12	1203	75.49	1234	79.90	1264	84.34		
22164	6000	1022	52.79	1057	57.19	1091	61.61	1123	66.03	1155	70.48	1186	74.95	1217	79.45	1247	83.97				
22903	6200	1040	56.10	1074	60.62	1107	65.19	1139	69.75	1171	74.33	1201	78.94	1232	83.56	1261	88.21				
23642	6400	1059	59.58	1092	64.24	1124	68.92	1156	73.64	1187	78.35	1217	83.09	1247	87.84						
24380	6600	1078	63.21	1110	68.00	1141	72.82	1172	77.67	1203	82.53	1233	87.40	1262	92.29						

Data in **bold** indicates the quietest and most efficient performance.
 BHP does not include drive losses.
 Performance shown is for Industrial Fans with inlet and outlet ducts.



PEERLESS BLOWERS INDUSTRIAL FAN PERFORMANCE TABLE

A-29

OUTLET _____
4.596 SQ. FT. INSIDE AREA
29" x 23 1/4" OUTSIDE DIAMETER

WHEEL DIAMETER — 50 1/2"
TIP SPEED (FPM) = 13.22 X RPM

INLET _____
4.59 SQ. FT. INSIDE AREA
29 1/4" OUTSIDE DIAMETER

VOL. CFM	OUTLET VEL. FPM	.5 S.P.		1 S.P.		1.5 S.P.		2 S.P.		2.5 S.P.		3 S.P.		3.5 S.P.		4 S.P.		5 S.P.		6 S.P.	
		RPM	BHP	RPM	BHP	RPM	BHP	RPM	BHP	RPM	BHP	RPM	BHP	RPM	BHP	RPM	BHP	RPM	BHP	RPM	BHP
4596	1000	204	0.59	270	1.10																
5515	1200	216	0.77	277	1.35	330	1.99														
6434	1400	229	0.99	287	1.65	337	2.34	382	3.09												
7354	1600	245	1.25	299	1.99	346	2.76	388	3.56	428	4.42	464	5.31								
8273	1800	261	1.56	312	2.38	356	3.23	397	4.11	435	5.02	470	5.97	503	6.96						
9192	2000	279	1.93	326	2.84	368	3.76	407	4.72	443	5.69	477	6.70	509	7.75	540	8.83				
10111	2200	297	2.37	341	3.36	381	4.37	418	5.39	453	6.45	486	7.53	517	8.63	547	9.77	603	12.14		
11030	2400	317	2.88	357	3.94	396	5.04	431	6.15	464	7.28	496	8.43	526	9.60	555	10.80	609	13.29	660	15.90
11950	2600	336	3.47	374	4.61	410	5.78	444	6.98	477	8.19	507	9.42	536	10.67	564	11.93	617	14.54	666	17.26
12869	2800	356	4.15	392	5.35	426	6.61	459	7.89	490	9.18	519	10.49	547	11.82	574	13.16	625	15.90	674	18.74
13788	3000	377	4.92	410	6.19	443	7.53	474	8.89	504	10.27	532	11.66	559	13.06	585	14.48	635	17.38	682	20.34
14707	3200	397	5.80	429	7.13	460	8.55	489	9.99	518	11.45	545	12.92	572	14.40	597	15.90	646	18.95	692	22.06
15626	3400	418	6.78	448	8.18	477	9.66	506	11.19	533	12.73	560	14.29	585	15.85	610	17.43	657	20.63	702	23.90
16546	3600	439	7.87	468	9.34	495	10.89	523	12.50	549	14.12	575	15.76	599	17.41	623	19.07	669	22.43	713	25.85
17465	3800	461	9.09	488	10.62	514	12.23	540	13.92	565	15.62	590	17.35	614	19.09	637	20.83	682	24.35	724	27.92
18384	4000	482	10.44	508	12.03	533	13.71	558	15.46	582	17.25	606	19.06	629	20.88	652	22.71	695	26.39	736	30.12
19303	4200	504	11.92	528	13.58	552	15.32	576	17.13	599	19.01	622	20.89	645	22.79	667	24.71	709	28.56	749	32.45
20222	4400	525	13.55	549	15.26	572	17.07	595	18.95	617	20.89	639	22.87	661	24.85	682	26.84	723	30.87	763	34.92
21142	4600	547	15.32	569	17.09	592	18.98	614	20.92	635	22.92	656	24.98	677	27.04	698	29.12	738	33.32	777	37.54
22061	4800	569	17.26	590	19.08	612	21.03	633	23.04	654	25.10	674	27.23	694	29.38	714	31.54	753	35.90	791	40.00
22980	5000	591	19.35	611	21.23	632	23.25	653	25.32	673	27.45	692	29.64	712	31.88	731	34.11	769	38.64	806	43.21
23899	5200			633	23.55	653	25.63	672	27.76	692	29.97	711	32.22	730	34.53	748	36.86	785	41.54	821	46.27
24818	5400			654	26.04	673	28.18	692	30.40	711	32.66	729	34.97	748	37.34	766	39.76	802	44.60	836	49.50
25738	5600			676	28.72	694	30.92	712	33.20	731	35.53	749	37.91	766	40.34	784	42.83	818	47.84	852	52.90
26657	5800			697	31.59	715	33.84	733	36.20	750	38.58	768	41.04	785	43.53	802	46.08	835	51.27	869	56.48

VOL. CFM	OUTLET VEL. FPM	7 S.P.		8 S.P.		9 S.P.		10 S.P.		11 S.P.		12 S.P.		13 S.P.		14 S.P.		15 S.P.		16 S.P.	
		RPM	BHP	RPM	BHP	RPM	BHP	RPM	BHP	RPM	BHP	RPM	BHP	RPM	BHP	RPM	BHP	RPM	BHP	RPM	BHP
11950	2600	713	20.09																		
12869	2800	719	21.68	763	24.73	805	27.85														
13788	3000	727	23.39	769	26.55	810	29.81	850	33.14												
14707	3200	735	25.24	777	28.51	817	31.88	855	35.33	893	38.87	928	42.46								
15626	3400	744	27.22	785	30.61	824	34.08	862	37.65	898	41.31	934	54.04	968	48.84						
16546	3600	754	29.33	794	32.86	832	36.45	869	40.12	905	43.89	940	47.74	974	51.67	1007	55.65	1039	59.70		
17465	3800	765	31.56	804	35.24	841	38.97	877	42.76	912	46.63	947	50.59	980	54.63	1012	58.75	1044	62.93	1075	67.16
18384	4000	776	33.90	814	37.75	851	41.63	886	45.56	921	49.55	954	53.62	987	57.76	1019	61.99	1050	66.29	1080	70.65
19303	4200	788	36.39	825	40.38	861	44.43	896	48.51	930	52.63	963	56.82	995	61.08	1026	66.41	1057	70.82	1087	74.30
20222	4400	801	39.02	837	43.16	872	47.36	907	51.60	940	55.88	972	60.20	1003	64.58	1034	69.02	1064	73.54	1093	78.13
21142	4600	814	41.79	849	46.09	884	50.44	917	54.84	950	59.28	982	63.75	1013	68.26	1043	72.83	1072	77.46	1101	82.16
22061	4800	827	44.72	862	49.17	896	53.67	929	58.22	961	62.82	992	67.45	1022	72.12	1052	76.83	1081	81.58	1109	86.40
22980	5000	841	47.79	875	52.41	908	57.07	941	61.77	972	66.52	1003	71.31	1033	76.14	1062	81.00	1090	85.90	1118	90.84
23899	5200	856	51.03	889	55.82	921	60.64	953	65.49	984	70.39	1014	75.33	1043	80.32	1072	85.34	1100	90.39	1128	95.48
24818	5400	870	54.44	903	59.39	935	64.37	966	69.38	996	74.43	1026	79.53	1055	84.67	1083	89.85	1111	95.06		
25738	5600	885	58.00	918	63.13	949	68.28	979	73.46	1009	78.66	1038	83.91	1066	89.20	1094	94.53	1122	99.90		
26657	5800	901	61.74	932	67.05	963	72.37	993	77.71	1022	83.08	1051	88.48	1079	93.92	1106	99.40	1133	104.93		
27576	6000	917	65.68	948	71.15	978	76.64	1007	82.15	1036	87.68	1064	93.25	1091	98.84	1118	104.47				
28495	6200	933	69.80	963	75.42	993	81.10	1021	86.78	1050	92.48	1077	98.21	1104	103.96	1131	109.75				
29414	6400	949	74.12	979	79.92	1008	85.74	1036	91.61	1064	97.47	1091	103.37	1118	109.28						
30334	6600	966	78.64	995	84.60	1023	90.60	1051	96.63	1078	102.68	1105	108.73	1131	114.81						

Data in **bold** indicates the quietest and most efficient performance.
 BHP does not include drive losses.
 Performance shown is for Industrial Fans with inlet and outlet ducts.



PEERLESS BLOWERS INDUSTRIAL FAN PERFORMANCE TABLE

A-33

OUTLET _____
5.951 SQ. FT. INSIDE AREA
33" x 26 1/2" OUTSIDE DIAMETER

WHEEL DIAMETER — 57 1/2"
TIP SPEED (FPM) = 15.05 X RPM

INLET _____
5.94 SQ. FT. INSIDE AREA
33 3/8" OUTSIDE DIAMETER

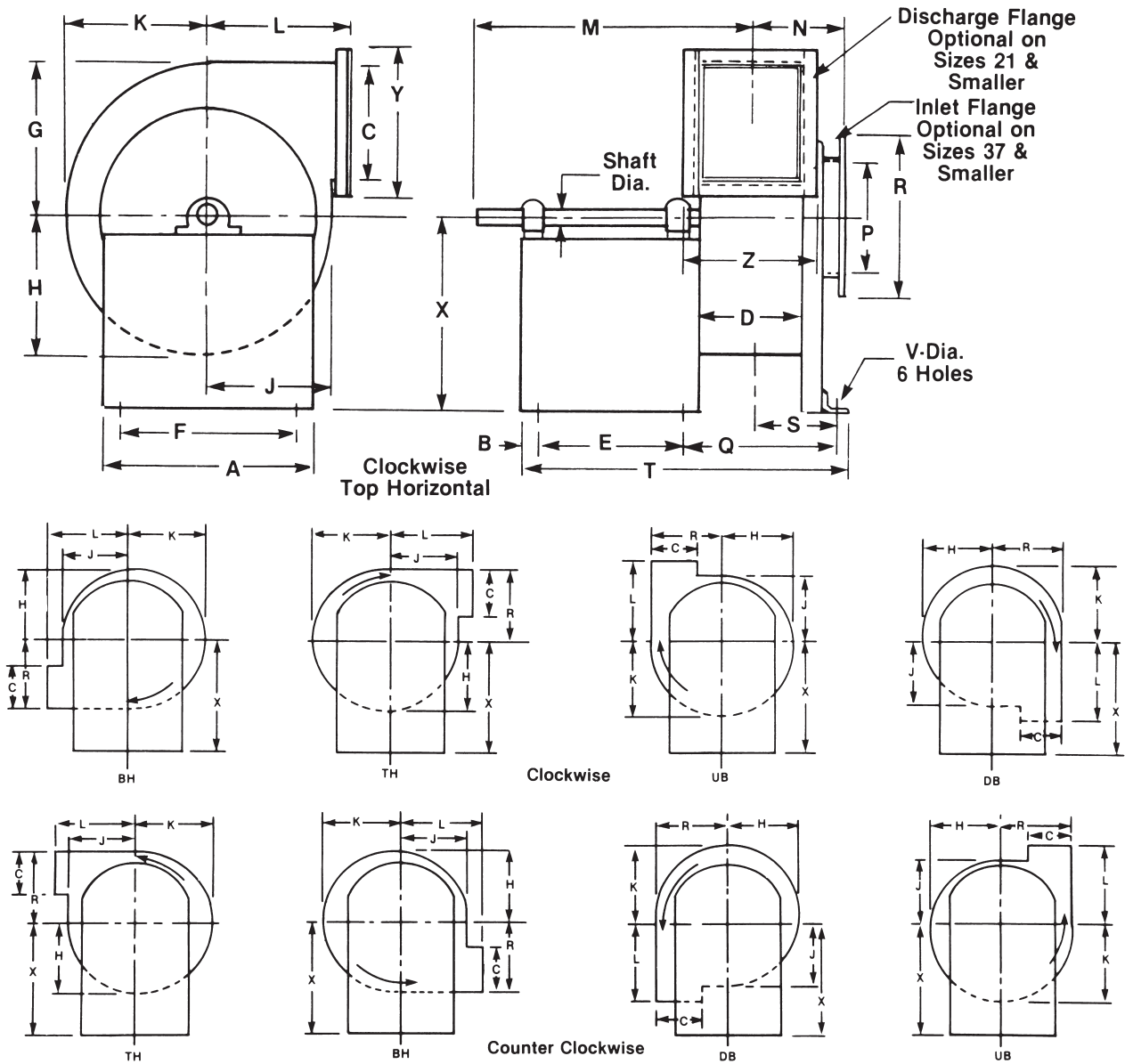
VOL. CFM	OUTLET VEL. FPM	.5 S.P.		1 S.P.		1.5 S.P.		2 S.P.		2.5 S.P.		3 S.P.		3.5 S.P.		4 S.P.		5 S.P.		6 S.P.	
		RPM	BHP	RPM	BHP	RPM	BHP	RPM	BHP	RPM	BHP	RPM	BHP	RPM	BHP	RPM	BHP	RPM	BHP	RPM	BHP
5951	1000	179	0.76	237	1.43																
7141	1200	189	0.99	244	1.75	290	2.57														
8331	1400	202	1.28	252	2.13	296	3.03	335	4.00												
9522	1600	215	1.62	262	2.57	304	3.57	341	4.61	376	5.72	408	6.87								
10712	1800	230	2.02	274	3.09	313	4.18	349	5.32	382	6.49	413	7.73	442	9.01						
11902	2000	245	2.50	286	3.68	324	4.88	358	6.11	389	7.37	419	8.68	448	10.03	475	11.44				
13092	2200	261	3.07	300	4.35	335	5.65	368	6.99	398	8.35	427	9.74	454	11.17	480	12.65	530	15.72		
14282	2400	278	3.73	314	5.11	348	6.52	379	7.96	408	9.42	436	10.92	462	12.44	487	13.98	535	17.21	580	20.58
15473	2600	295	4.49	329	5.97	361	7.49	391	9.03	419	10.60	446	12.19	471	13.81	496	15.45	542	18.82	586	22.35
16663	2800	313	5.37	344	6.93	374	8.56	403	10.22	430	11.89	456	13.58	481	15.30	505	17.04	550	20.59	592	24.26
17853	3000	331	6.37	360	8.02	389	9.75	416	11.52	442	13.30	467	15.09	491	16.91	514	18.75	558	22.50	599	26.34
19043	3200	349	7.50	377	9.23	404	11.07	430	12.94	455	14.83	479	16.73	503	18.65	525	20.59	568	24.54	608	28.57
20233	3400	367	8.77	394	10.59	419	12.51	444	14.49	469	16.48	492	18.50	514	20.53	536	22.57	577	26.72	617	30.95
21424	3600	386	10.19	411	12.09	435	14.10	459	16.18	482	18.29	505	20.41	527	22.55	548	24.70	588	29.04	626	34.48
22614	3800	405	11.77	429	13.76	452	15.84	474	18.02	497	20.23	518	22.46	540	24.72	560	26.97	599	31.53	636	36.15
23804	4000	424	13.51	446	15.58	469	17.75	490	20.02	512	22.34	532	24.68	553	27.03	573	29.41	611	34.17	647	39.00
24994	4200	443	15.43	464	17.58	486	19.84	506	22.19	527	24.61	547	27.05	567	29.52	586	32.00	623	36.99	659	42.02
26184	4400	462	17.54	482	19.76	503	22.11	523	24.54	542	27.06	562	29.61	581	32.17	600	34.76	636	39.97	670	45.22
27375	4600	481	19.84	500	22.13	520	24.57	539	27.08	558	29.68	577	32.34	595	35.01	614	37.71	649	43.14	683	48.60
28565	4800	500	22.35	519	24.70	538	27.23	556	29.83	575	32.50	592	35.26	610	38.05	628	40.84	662	46.48	695	52.18
29755	5000	520	25.06	537	27.49	556	30.10	574	32.79	591	35.54	608	38.38	626	41.28	643	44.17	676	50.03	708	55.95
30945	5200			556	30.49	574	33.18	591	35.95	608	38.80	625	41.72	641	44.71	658	47.73	690	53.79	721	59.92
32135	5400			575	33.72	592	36.49	608	39.36	625	42.49	641	45.28	657	48.35	673	51.48	704	57.75	735	64.10
33326	5600			594	37.19	610	40.04	626	43.00	642	46.01	658	49.09	673	52.23	689	55.46	719	61.94	749	68.50
34516	5800			613	40.91	628	43.82	644	46.87	659	49.96	675	53.14	690	56.36	705	59.66	734	66.38	763	73.14

VOL. CFM	OUTLET VEL. FPM	7 S.P.		8 S.P.		9 S.P.		10 S.P.		11 S.P.		12 S.P.		13 S.P.		14 S.P.		15 S.P.		16 S.P.	
		RPM	BHP	RPM	BHP	RPM	BHP	RPM	BHP	RPM	BHP	RPM	BHP	RPM	BHP	RPM	BHP	RPM	BHP	RPM	BHP
15473	2600	627	26.02																		
16663	2800	632	28.07	671	32.02	707	36.07														
17853	3000	639	30.29	676	34.38	712	38.60	747	42.91												
19043	3200	646	32.68	682	36.91	718	41.27	752	45.75	784	50.33	816	54.98								
20233	3400	654	35.25	690	39.64	724	44.14	757	48.76	790	53.49	821	58.32	851	63.24						
21424	3600	663	37.98	698	42.54	731	47.20	764	51.96	795	56.83	826	61.82	856	66.90	885	72.07	913	77.30		
22614	3800	672	40.86	706	45.63	739	50.46	771	55.37	802	60.39	832	65.51	861	70.74	890	76.07	918	81.48	945	86.97
23804	4000	682	43.90	716	48.88	748	53.90	779	58.99	809	64.16	839	69.43	867	74.80	895	80.27	923	85.84	950	91.49
24994	4200	692	47.12	725	52.29	757	57.53	788	62.81	817	68.16	846	73.58	874	79.09	902	84.70	929	90.41	955	96.21
26184	4400	703	50.52	736	55.89	767	61.32	797	66.82	826	72.36	854	77.95	882	83.62	909	89.38	935	95.23	961	101.17
27375	4600	715	54.12	746	59.68	777	65.31	806	71.01	835	76.76	863	82.55	890	88.39	916	94.31	942	100.30	968	106.39
28565	4800	727	57.90	758	63.67	787	69.50	816	75.39	844	81.34	872	87.34	898	93.39	924	99.48	950	105.64	975	111.87
29755	5000	739	61.89	769	67.87	798	73.90	827	79.98	854	86.13	881	92.34	908	98.59	933	104.89	958	111.23	983	117.62
30945	5200	752	66.08	781	72.28	810	78.52	838	84.80	865	91.14	891	97.55	917	104.00	942	110.51	967	117.05	991	123.63
32135	5400	765	70.49	794	76.90	822	83.35	849	89.84	875	96.38	901	102.98	927	109.64	952	116.34	976	123.09		
33326	5600	778	75.11	806	81.75	834	88.41	861	95.12	887	101.86	912	108.65	937	115.50	962	122.41	986	129.36		
34516	5800	792	79.94	819	86.83	846	93.71	873	100.62	898	107.58	923	114.57	948	121.61	972	128.71	996	135.87		
35706	6000	806	85.05	833	92.13	859	99.24	885	106.37	910	113.54	935	120.74	959	127.99	983	135.28				
36896	6200	820	90.38	846	97.65	872	105.02	898	112.37	922	119.75	947	127.17	970	134.62	994	142.11				
38086	6400	834	95.97	860	103.48	886	111.03	911	118.62	935	126.22	959	133.85	982	141.51						
39277	6600	849	101.83	874	109.55	899	117.32	924	125.13	948	132.95	971	140.79	994	148.67						

Data in **bold** indicates the quietest and most efficient performance.
 BHP does not include drive losses.
 Performance shown is for Industrial Fans with inlet and outlet ducts.

PEERLESS BLOWERS INDUSTRIAL FANS

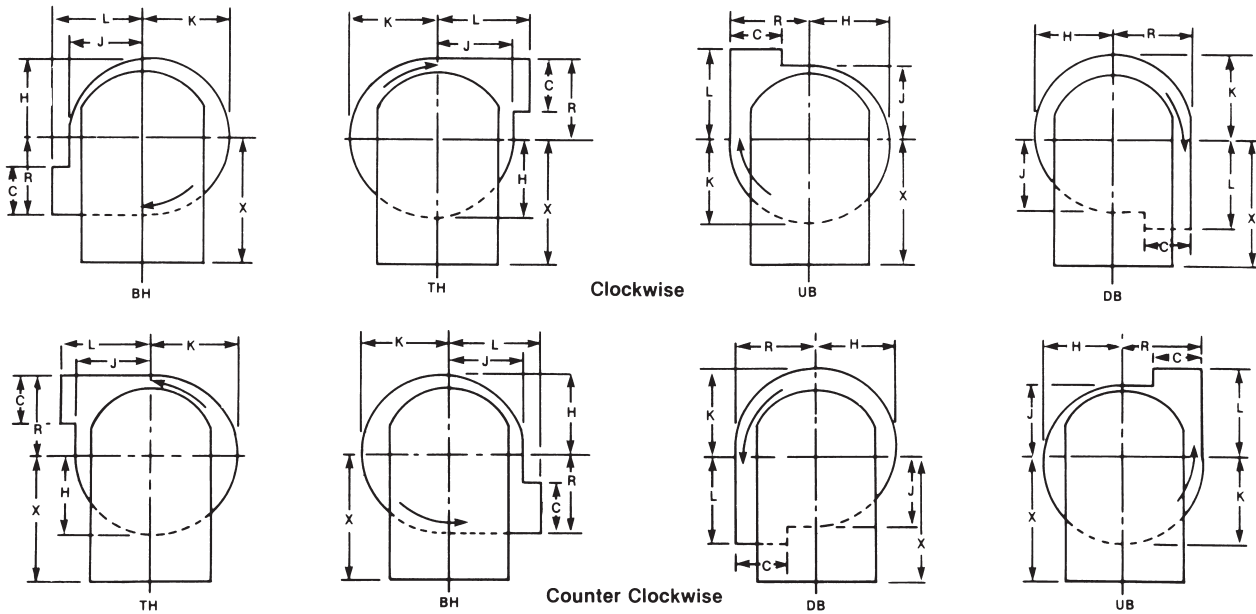
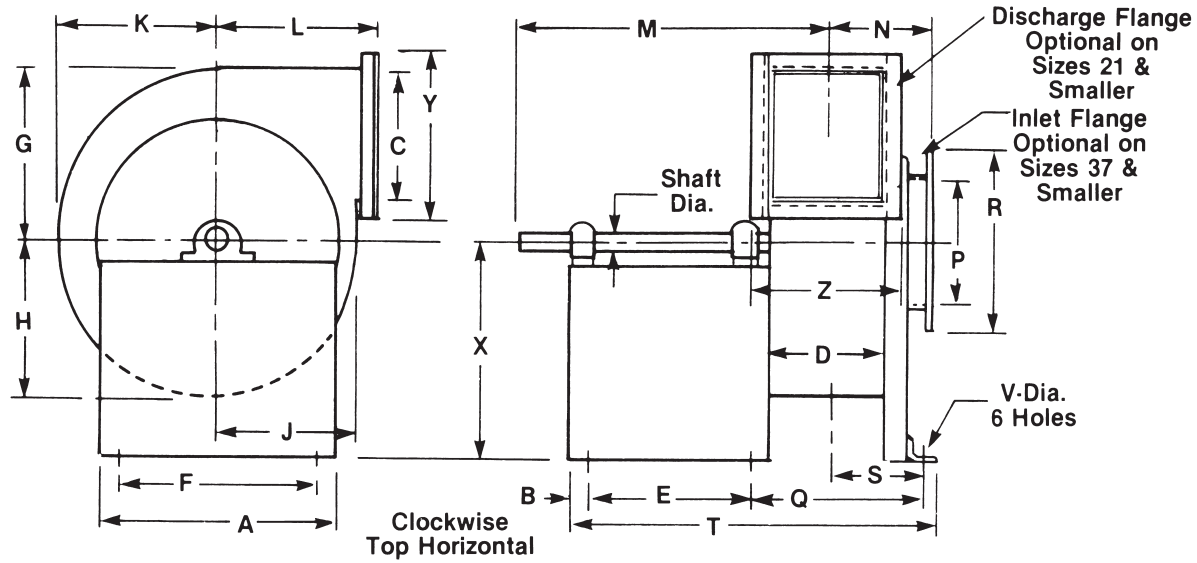
Standard Duty Construction — Arrangement #1



SIZE	WHEEL DIA.	SHAFT DIA.	KEYWAY	A	B	C	D	E	F	G	H	J	K	L	M	N	P	Q	R	S	T	V	X	Y	Z
7	12 ¹ / ₈	1 ³ / ₁₆	1/4 X 1/8 X 3	18	1	7	6	13	16 ¹ / ₄	10 ⁵ / ₈	8 ⁹ / ₁₆	7 ⁵ / ₈	9 ⁵ / ₈	9 ⁵ / ₈	21 ³ / ₄	6 ¹ / ₈	7 ¹ / ₄	8 ³ / ₈	10 ¹ / ₄	4 ³ / ₁₆	23 ³ / ₈	9 ⁹ / ₁₆	16	10	9
9	15 ⁵ / ₈	1 ³ / ₁₆	1/4 X 1/8 X 3	17 ¹ / ₂	1 ¹ / ₈	9	7 ¹ / ₂	17 ⁵ / ₈	14 ¹ / ₂	13 ⁵ / ₁₆	11 ¹ / ₁₆	9 ¹¹ / ₁₆	12 ³ / ₁₆	11 ¹¹ / ₁₆	28 ¹ / ₂	6 ⁷ / ₈	9 ¹ / ₄	9 ⁷ / ₈	12 ¹ / ₄	4 ¹⁵ / ₁₆	29 ⁵ / ₈	9 ⁹ / ₁₆	18 ⁷ / ₈	12	10 ¹ / ₂
11	19 ¹ / ₈	1 ⁷ / ₁₆	3/8 X 3/16 X 5	22	1 ⁹ / ₁₆	11	9 ¹ / ₁₆	17	19 ³ / ₄	16 ¹ / ₂	13 ¹ / ₄	11 ³ / ₄	14 ⁷ / ₈	13 ³ / ₄	30	7 ⁵ / ₈	11 ¹ / ₄	11 ⁵ / ₈	14 ¹ / ₄	5 ¹¹ / ₁₆	31 ³ / ₁₆	9 ⁹ / ₁₆	22 ¹ / ₂	14	12 ¹ / ₁₆
13	22 ⁵ / ₈	1 ¹¹ / ₁₆	3/8 X 3/16 X 5	22	1 ⁹ / ₁₆	13	10 ¹ / ₂	17	19 ³ / ₄	19 ¹ / ₂	15 ⁵ / ₈	13 ⁷ / ₈	17 ⁹ / ₁₆	15 ⁷ / ₈	31	8 ³ / ₈	13 ¹ / ₄	13 ¹ / ₈	17 ¹ / ₄	6 ⁷ / ₁₆	32 ¹¹ / ₁₆	9 ⁹ / ₁₆	22 ¹ / ₁₆	17	14 ¹ / ₂
15	26 ¹ / ₈	1 ¹⁵ / ₁₆	1/2 X 1/4 X 5	25 ¹ / ₂	1 ¹ / ₈	15	12 ¹ / ₈	22 ¹ / ₂	23 ¹ / ₄	22 ¹ / ₂	18 ¹ / ₈	16 ¹ / ₁₆	20 ⁵ / ₁₆	19 ¹ / ₁₆	36 ³ / ₁₆	9 ³ / ₁₆	15 ¹ / ₄	16 ¹ / ₄	19 ¹ / ₄	9 ³ / ₈	40 ⁷ / ₈	1 ¹ / ₁₆	25	19	16 ¹ / ₈
17	29 ⁵ / ₈	1 ¹⁵ / ₁₆	1/2 X 1/4 X 5	27	1 ¹ / ₈	17	13 ³ / ₄	22 ¹ / ₂	24 ³ / ₄	25 ¹ / ₂	20 ⁵ / ₈	18 ⁵ / ₁₆	23 ¹ / ₁₆	21 ³ / ₈	37	11 ¹ / ₁₆	17 ¹ / ₄	17 ⁷ / ₈	21 ¹ / ₄	10 ³ / ₁₆	42 ³ / ₈	1 ¹ / ₁₆	28	21	17 ³ / ₄
19	33	2 ³ / ₁₆	1/2 X 1/4 X 6	29	1 ¹ / ₈	19	15 ³ / ₈	24 ¹ / ₂	26 ³ / ₄	28 ¹ / ₂	22 ⁷ / ₈	20 ⁵ / ₁₆	25 ¹¹ / ₁₆	23 ³ / ₈	41 ³ / ₈	11 ¹³ / ₁₆	19 ¹ / ₄	20 ¹ / ₂	24 ¹ / ₄	11 ¹ / ₂	47	1 ¹ / ₁₆	31	24	20 ³ / ₈
21	36 ¹ / ₂	2 ⁷ / ₁₆	5/8 X 5/16 X 6	31 ¹ / ₂	1 ¹ / ₈	21	17	24 ¹ / ₂	29 ¹ / ₄	31 ¹ / ₂	25 ⁵ / ₈	22 ¹ / ₂	28 ⁷ / ₁₆	25 ⁹ / ₁₆	42 ³ / ₁₆	12 ⁵ / ₈	21 ¹ / ₄	22 ¹ / ₈	26 ¹ / ₄	12 ⁵ / ₁₆	48 ⁵ / ₈	1 ¹ / ₁₆	34	26	22
23	40	2 ¹¹ / ₁₆	5/8 X 5/16 X 7	36	1 ¹ / ₈	23	18 ⁵ / ₈	28 ¹ / ₂	33 ³ / ₄	34 ¹ / ₂	27 ³ / ₄	24 ⁵ / ₈	31 ¹ / ₈	28 ¹¹ / ₁₆	48	13 ¹⁵ / ₁₆	23 ¹ / ₄	24	27 ¹ / ₄	13 ³ / ₈	54 ³ / ₄	1 ¹ / ₁₆	37	28	23 ⁵ / ₈
26	45 ¹ / ₈	2 ¹¹ / ₁₆	5/8 X 5/16 X 7	42 ¹ / ₂	1 ¹ / ₈	26	20 ⁷ / ₈	28 ¹ / ₂	40 ¹ / ₄	39	31 ³ / ₈	27 ⁹ / ₄	35 ³ / ₁₆	31 ³ / ₄	49 ¹ / ₈	15 ¹ / ₈	26 ¹ / ₄	26 ¹ / ₄	30 ¹ / ₄	14 ¹ / ₂	57	1 ¹ / ₁₆	41 ¹ / ₂	31	25 ⁷ / ₈
29	50 ¹ / ₂	2 ¹⁵ / ₁₆	3/4 X 3/8 X 7	49 ³ / ₄	1 ¹ / ₂	29	23 ¹ / ₄	31 ³ / ₄	44 ³ / ₄	43 ¹ / ₂	35	31	39 ¹ / ₄	35 ¹ / ₈	54 ⁷ / ₈	16 ⁵ / ₈	29 ¹ / ₄	30 ¹ / ₄	35 ¹ / ₄	16 ¹⁵ / ₁₆	64 ³ / ₈	1 ³ / ₁₆	46 ¹ / ₂	35	29 ¹ / ₄
33	57 ¹ / ₂	3 ⁷ / ₁₆	7/8 X 7/16 X 9	55 ¹ / ₂	1 ¹ / ₂	33	26 ¹ / ₂	31 ³ / ₄	51	49 ¹ / ₂	40 ³ / ₈	35 ³ / ₁₆	44 ¹⁵ / ₁₆	39 ¹³ / ₁₆	58 ¹ / ₂	18 ¹ / ₄	33 ³ / ₈	34	39 ³ / ₈	19	68 ³ / ₄	1 ³ / ₁₆	53	39	32 ¹ / ₂

PEERLESS BLOWERS INDUSTRIAL FANS

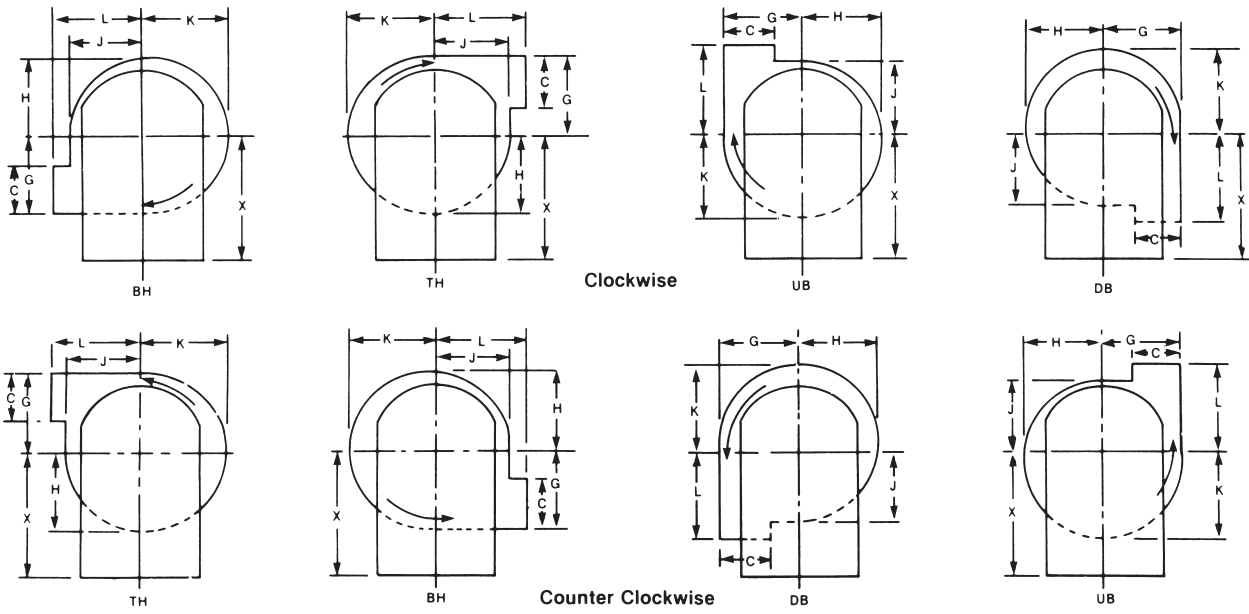
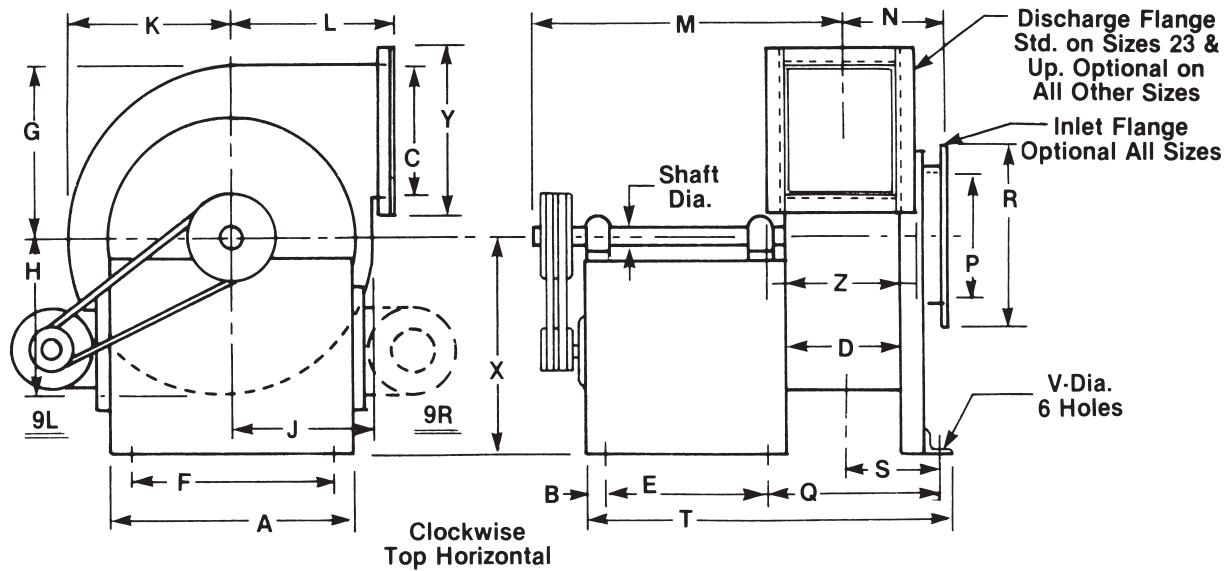
Heavy Duty Construction — Arrangement #1



SIZE	WHEEL DIA.	SHAFT DIA.	KEYWAY	A	B	C	D	E	F	G	H	J	K	L	M	N	P	Q	R	S	T	V	X	Y	Z
9	15 ⁵ / ₈	1 ⁷ / ₁₆	3/8 X 3/16 X 3	17 ¹ / ₂	1 ¹ / ₈	9	7 ¹ / ₂	17 ⁵ / ₈	14 ¹ / ₂	13 ⁵ / ₁₆	11 ¹ / ₁₆	9 ¹¹ / ₁₆	12 ³ / ₁₆	11 ¹¹ / ₁₆	28 ¹ / ₂	6 ⁷ / ₈	9 ¹ / ₄	9 ⁷ / ₈	12 ¹ / ₄	4 ¹⁵ / ₁₆	29 ⁵ / ₈	9 ⁹ / ₁₆	18 ⁷ / ₈	12	10 ¹ / ₂
11	19 ¹ / ₈	1 ¹¹ / ₁₆	3/8 X 3/16 X 5	22	1 ⁹ / ₁₆	11	9 ¹ / ₁₆	17	19 ³ / ₄	16 ¹ / ₂	13 ¹ / ₄	11 ³ / ₄	14 ⁷ / ₈	13 ³ / ₄	30	7 ⁵ / ₈	11 ¹ / ₄	11 ⁵ / ₈	14 ¹ / ₄	5 ¹¹ / ₁₆	31 ³ / ₁₆	9 ⁹ / ₁₆	22 ¹ / ₂	14	12 ¹ / ₁₆
13	22 ⁵ / ₈	1 ¹⁵ / ₁₆	1/2 X 1/4 X 5	22	1 ⁹ / ₁₆	13	10 ¹ / ₂	17	19 ³ / ₄	19 ¹ / ₂	15 ⁵ / ₈	13 ⁷ / ₈	17 ⁹ / ₁₆	15 ⁷ / ₈	31	8 ³ / ₈	13 ¹ / ₄	13 ¹ / ₈	17 ¹ / ₄	6 ⁷ / ₁₆	32 ¹¹ / ₁₆	9 ⁹ / ₁₆	22 ¹ / ₁₆	17	14 ¹ / ₂
15	26 ¹ / ₈	1 ¹⁵ / ₁₆	1/2 X 1/4 X 5	25 ¹ / ₂	1 ¹ / ₈	15	12 ¹ / ₈	22 ¹ / ₂	23 ¹ / ₄	22 ¹ / ₂	18 ¹ / ₈	16 ¹ / ₁₆	20 ⁵ / ₁₆	19 ¹ / ₁₆	36 ³ / ₁₆	9 ⁹ / ₁₆	15 ¹ / ₄	16 ¹ / ₄	19 ¹ / ₄	9 ⁹ / ₈	40 ⁷ / ₈	1 ¹ / ₁₆	25	19	16 ¹ / ₈
17	29 ⁵ / ₈	2 ³ / ₁₆	1/2 X 1/4 X 5	27	1 ¹ / ₈	17	13 ³ / ₄	22 ¹ / ₂	24 ³ / ₄	25 ¹ / ₂	20 ⁵ / ₈	18 ⁵ / ₁₆	23 ¹ / ₁₆	21 ³ / ₈	37	11 ¹ / ₁₆	17 ¹ / ₄	17 ⁷ / ₈	21 ¹ / ₄	10 ³ / ₁₆	42 ³ / ₈	1 ¹ / ₁₆	28	21	17 ³ / ₄
19	33	2 ⁷ / ₁₆	5/8 X 5/16 X 6	29	1 ¹ / ₈	19	15 ³ / ₈	24 ¹ / ₂	26 ³ / ₄	28 ¹ / ₂	22 ⁷ / ₈	20 ⁵ / ₁₆	25 ¹¹ / ₁₆	23 ³ / ₈	41 ³ / ₈	11 ¹³ / ₁₆	19 ¹ / ₄	20 ¹ / ₂	24 ¹ / ₄	11 ¹ / ₂	47	1 ¹ / ₁₆	31	24	20 ³ / ₈
21	36 ¹ / ₂	2 ¹¹ / ₁₆	5/8 X 5/16 X 6	31 ¹ / ₂	1 ¹ / ₈	21	17	24 ¹ / ₂	29 ¹ / ₄	31 ¹ / ₂	25 ³ / ₈	22 ¹ / ₂	28 ⁷ / ₁₆	25 ⁹ / ₁₆	42 ³ / ₁₆	12 ⁵ / ₈	21 ¹ / ₄	22 ¹ / ₈	26 ¹ / ₄	12 ⁵ / ₁₆	48 ⁵ / ₈	1 ¹ / ₁₆	34	26	22
23	40	2 ¹⁵ / ₁₆	3/4 X 3/8 X 7	36	1 ¹ / ₈	23	18 ⁵ / ₈	28 ¹ / ₂	33 ³ / ₄	34 ¹ / ₂	27 ³ / ₄	24 ⁵ / ₈	31 ¹ / ₈	28 ¹¹ / ₁₆	48	13 ¹⁵ / ₁₆	23 ¹ / ₄	24	27 ¹ / ₄	13 ³ / ₈	54 ³ / ₄	1 ¹ / ₁₆	37	28	23 ³ / ₈
26	45 ¹ / ₈	3 ⁷ / ₁₆	7/8 X 7/16 X 7	42 ¹ / ₂	1 ¹ / ₈	26	20 ⁷ / ₈	28 ¹ / ₂	40 ¹ / ₄	39	31 ³ / ₈	27 ³ / ₄	35 ³ / ₁₆	31 ³ / ₄	49 ¹ / ₈	15 ¹ / ₈	26 ¹ / ₄	26 ¹ / ₄	30 ¹ / ₄	14 ¹ / ₂	57	1 ¹ / ₁₆	41 ¹ / ₂	31	25 ⁷ / ₈
29	50 ¹ / ₂	3 ⁷ / ₁₆	7/8 X 7/16 X 7	49 ³ / ₄	1 ¹ / ₂	29	23 ¹ / ₄	31 ³ / ₄	44 ³ / ₄	43 ¹ / ₂	35	31	39 ¹ / ₄	35 ¹ / ₈	54 ⁷ / ₈	16 ⁵ / ₈	29 ¹ / ₄	30 ¹ / ₄	35 ¹ / ₄	16 ¹⁵ / ₁₆	64 ³ / ₈	1 ³ / ₁₆	46 ¹ / ₂	35	29 ¹ / ₄
33	57 ¹ / ₂	3 ¹⁵ / ₁₆	1 X 1/2 X 9	55 ¹ / ₂	1 ¹ / ₂	33	26 ¹ / ₂	31 ³ / ₄	51	49 ¹ / ₂	40 ³ / ₈	35 ¹³ / ₁₆	44 ¹⁵ / ₁₆	39 ¹³ / ₁₆	58 ¹ / ₂	18 ¹ / ₄	33 ³ / ₈	34	39 ³ / ₈	19	68 ³ / ₄	1 ¹³ / ₁₆	53	39	32 ¹ / ₂

PEERLESS BLOWERS INDUSTRIAL FANS

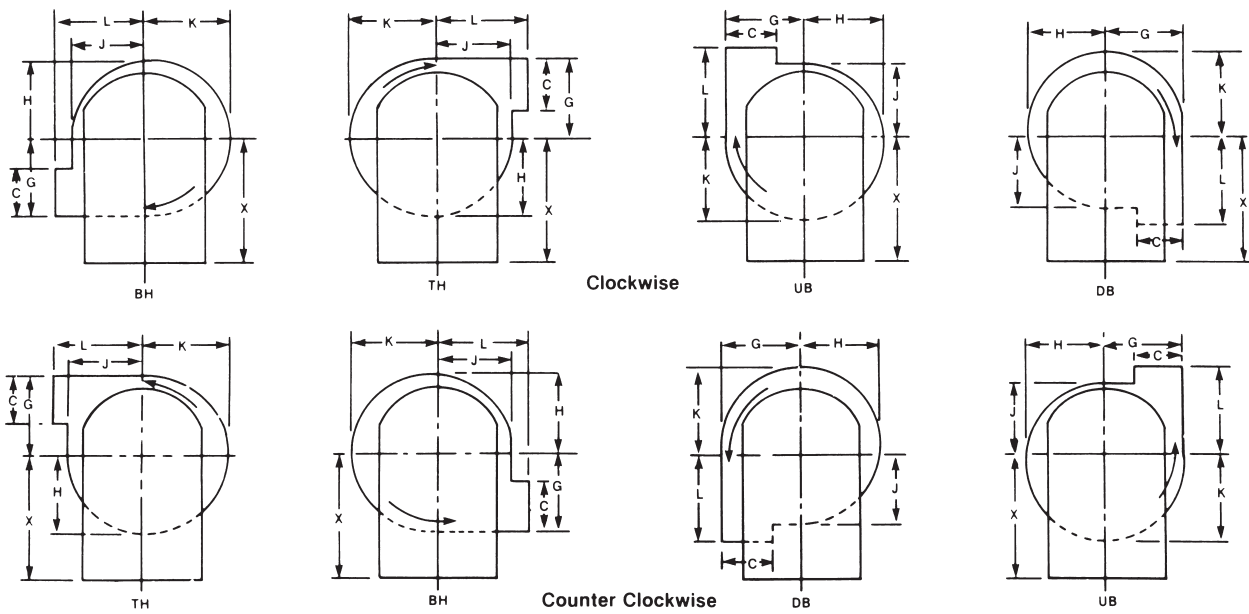
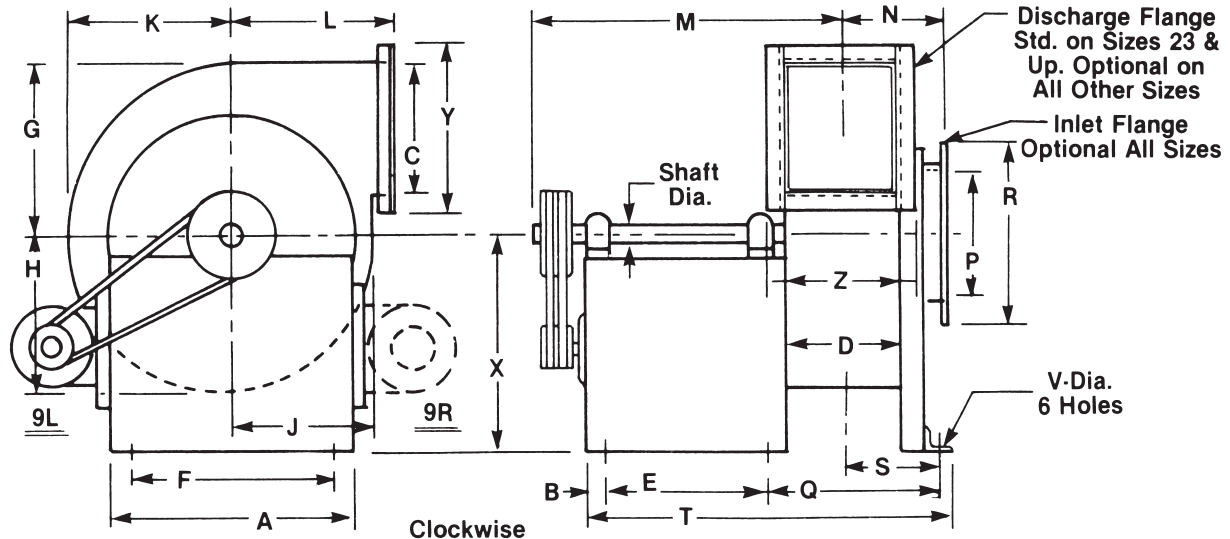
Standard Duty Construction — Arrangement #9



SIZE	WHEEL DIA.	SHAFT DIA.	KEYWAY	A	B	C	D	E	F	G	H	J	K	L	M	N	P	Q	R	S	T	V	X	Y	Z	MAX. MOTOR FRAME
7	12 ¹ / ₈	1 ³ / ₁₆	1/4 X 1/8 X 3	18	1	7	6	13	16 ¹ / ₄	10 ⁵ / ₈	8 ⁹ / ₁₆	7 ⁵ / ₈	9 ⁵ / ₈	9 ⁵ / ₈	21 ³ / ₄	6 ¹ / ₈	7 ¹ / ₄	8 ³ / ₈	10 ¹ / ₄	4 ³ / ₁₆	23 ³ / ₈	9 ⁹ / ₁₆	16	10	9	184T
9	15 ⁵ / ₈	1 ³ / ₁₆	1/4 X 1/8 X 3 ¹ / ₂	17 ¹ / ₂	1 ¹ / ₈	9	7 ¹ / ₂	17 ⁵ / ₈	14 ¹ / ₂	13 ⁵ / ₁₆	11 ¹ / ₁₆	9 ¹ / ₁₆	12 ³ / ₁₆	11 ¹ / ₁₆	28 ¹ / ₂	6 ⁷ / ₈	9 ¹ / ₄	9 ⁷ / ₈	12 ¹ / ₄	4 ¹⁵ / ₁₆	29 ⁵ / ₈	9 ⁹ / ₁₆	18 ⁷ / ₈	12	10 ¹ / ₂	215T
11	19 ¹ / ₈	1 ⁷ / ₁₆	3/8 X 3/16 X 5	22	1 ⁹ / ₁₆	11	9 ¹ / ₁₆	17	19 ³ / ₄	16 ¹ / ₂	13 ¹ / ₄	11 ³ / ₄	14 ⁷ / ₈	13 ³ / ₄	30	7 ⁵ / ₈	11 ¹ / ₄	11 ⁵ / ₈	14 ¹ / ₄	5 ¹ / ₁₆	31 ³ / ₁₆	9 ⁹ / ₁₆	22 ¹ / ₂	14	12 ¹ / ₁₆	254T
13	22 ⁵ / ₈	1 ¹¹ / ₁₆	3/8 X 3/16 X 5	22	1 ⁹ / ₁₆	13	10 ¹ / ₂	17	19 ³ / ₄	19 ¹ / ₂	15 ⁵ / ₈	13 ⁷ / ₈	17 ⁹ / ₁₆	15 ⁷ / ₈	31	8 ³ / ₈	13 ¹ / ₄	13 ¹ / ₈	17 ¹ / ₄	6 ⁷ / ₁₆	32 ¹ / ₁₆	9 ⁹ / ₁₆	22 ¹ / ₁₆	17	14 ¹ / ₂	254T
15	26 ¹ / ₈	1 ¹⁵ / ₁₆	1/2 X 1/2 X 5	25 ¹ / ₂	1 ¹ / ₈	15	12 ¹ / ₈	22 ¹ / ₂	23 ¹ / ₄	22 ¹ / ₂	18 ¹ / ₈	16 ¹ / ₁₆	20 ⁵ / ₁₆	19 ¹ / ₁₆	36 ³ / ₁₆	9 ⁹ / ₁₆	15 ¹ / ₄	16 ¹ / ₄	19 ¹ / ₄	9 ⁹ / ₈	40 ⁷ / ₈	1 ¹ / ₁₆	25	19	16 ¹ / ₈	286T
17	29 ⁵ / ₈	1 ¹⁵ / ₁₆	1/2 X 1/4 X 5	27	1 ¹ / ₈	17	13 ³ / ₄	22 ¹ / ₂	24 ³ / ₄	25 ¹ / ₂	20 ⁵ / ₈	18 ⁵ / ₁₆	23 ¹ / ₁₆	21 ³ / ₈	37	11 ¹ / ₁₆	17 ¹ / ₄	17 ⁷ / ₈	21 ¹ / ₄	10 ³ / ₁₆	42 ³ / ₈	1 ¹ / ₁₆	28	21	17 ³ / ₄	324T
19	33	2 ³ / ₁₆	1/2 X 1/4 X 6	29	1 ¹ / ₈	19	15 ³ / ₈	24 ¹ / ₂	26 ³ / ₄	28 ¹ / ₂	22 ⁷ / ₈	20 ⁵ / ₁₆	25 ¹ / ₁₆	23 ³ / ₈	41 ³ / ₈	11 ¹³ / ₁₆	19 ¹ / ₄	20 ¹ / ₂	24 ¹ / ₄	11 ¹ / ₂	47	1 ¹ / ₁₆	31	24	20 ³ / ₈	365T
21	36 ¹ / ₂	2 ⁷ / ₁₆	5/8 X 5/16 X 6	31 ¹ / ₂	1 ¹ / ₈	21	17	24 ¹ / ₂	29 ¹ / ₄	31 ¹ / ₂	25 ³ / ₈	22 ¹ / ₂	28 ⁷ / ₁₆	25 ⁹ / ₁₆	42 ³ / ₁₆	12 ⁹ / ₈	21 ¹ / ₄	22 ¹ / ₈	26 ¹ / ₄	12 ⁵ / ₁₆	48 ⁵ / ₈	1 ¹ / ₁₆	34	26	22	365T
23	40	2 ¹¹ / ₁₆	5/8 X 5/16 X 7	36	1 ¹ / ₈	23	18 ⁵ / ₈	28 ¹ / ₂	33 ³ / ₄	34 ¹ / ₂	27 ³ / ₄	24 ⁵ / ₈	31 ¹ / ₈	28 ¹ / ₁₆	48	13 ¹⁵ / ₁₆	23 ¹ / ₄	24	27 ¹ / ₄	13 ³ / ₈	54 ³ / ₄	1 ¹ / ₁₆	37	28	23 ⁵ / ₈	405T
26	45 ¹ / ₈	2 ¹¹ / ₁₆	5/8 X 5/16 X 7	42 ¹ / ₂	1 ¹ / ₈	26	20 ⁷ / ₈	28 ¹ / ₂	40 ¹ / ₄	39	31 ³ / ₈	27 ³ / ₄	35 ³ / ₁₆	31 ³ / ₄	49 ¹ / ₈	15 ¹ / ₈	26 ¹ / ₄	26 ¹ / ₄	30 ¹ / ₄	14 ¹ / ₂	57	1 ¹ / ₁₆	41 ¹ / ₂	31	25 ⁷ / ₈	405T
29	50 ¹ / ₂	2 ¹⁵ / ₁₆	3/4 X 3/8 X 7	49 ³ / ₄	1 ¹ / ₂	29	23 ¹ / ₄	31 ³ / ₄	44 ³ / ₄	43 ¹ / ₂	35	31	39 ¹ / ₄	35 ¹ / ₈	54 ⁷ / ₈	16 ⁵ / ₈	29 ¹ / ₄	30 ¹ / ₄	35 ¹ / ₄	16 ¹⁵ / ₁₆	64 ³ / ₈	1 ³ / ₁₆	46 ¹ / ₂	35	29 ¹ / ₄	405T

PEERLESS BLOWERS INDUSTRIAL FANS

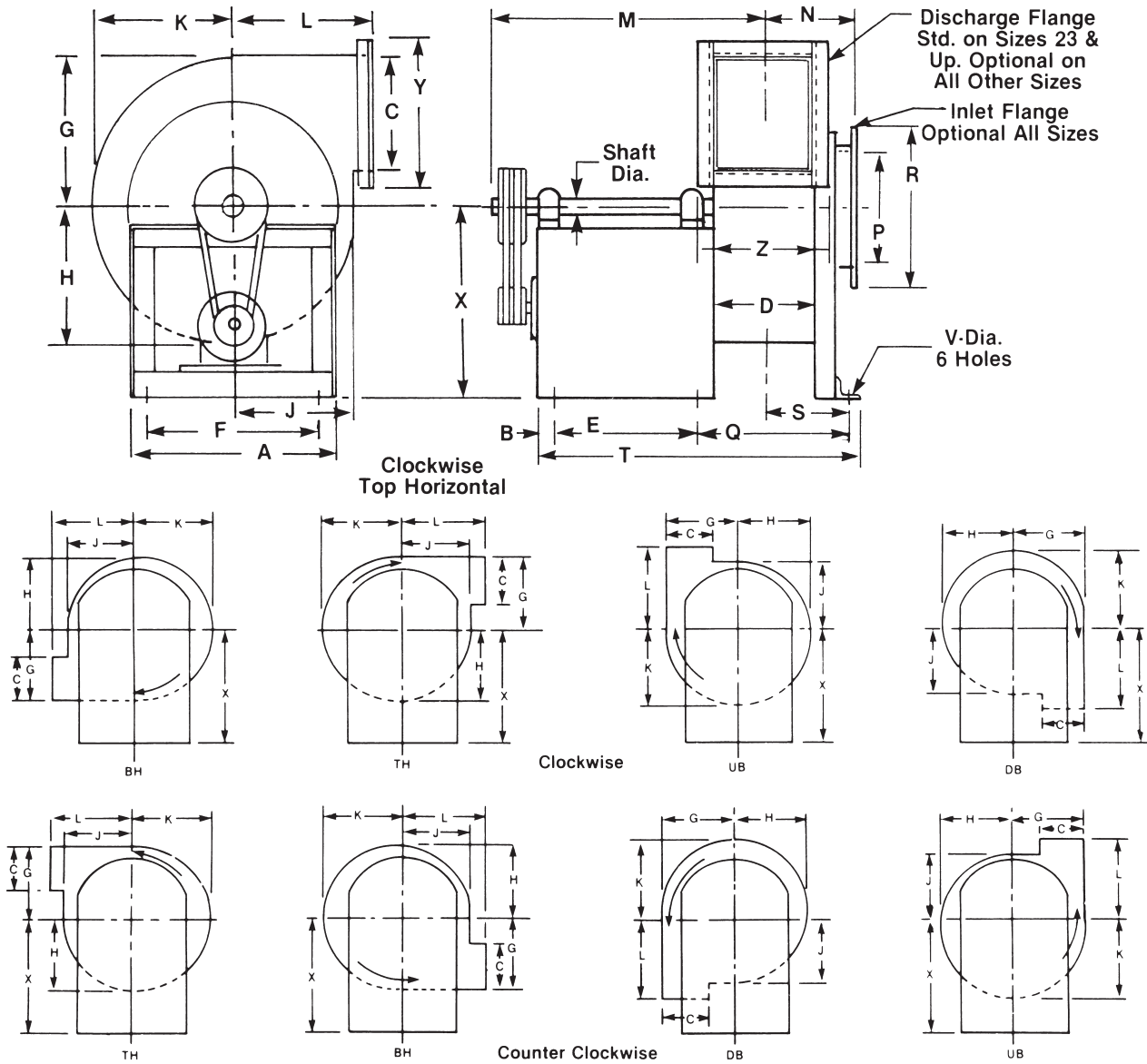
Heavy Duty Construction — Arrangement #9



SIZE	WHEEL DIA.	SHAFT DIA.	KEYWAY	A	B	C	D	E	F	G	H	J	K	L	M	N	P	Q	R	S	T	V	X	Y	Z	MAX. MOTOR FRAME
7	12 ¹ / ₈	17 ¹ / ₁₆	3/8 X 3/16 X 3	18	1	7	6	13	16 ¹ / ₄	10 ⁵ / ₈	8 ⁹ / ₁₆	7 ⁵ / ₈	9 ⁵ / ₈	9 ⁵ / ₈	21 ³ / ₄	6 ¹ / ₈	7 ¹ / ₄	8 ³ / ₈	10 ¹ / ₄	4 ³ / ₁₆	23 ³ / ₈	9 ⁹ / ₁₆	16	10	9	184T
9	15 ⁵ / ₈	17 ¹ / ₁₆	3/8 X 3/16 X 3	17 ¹ / ₂	1 ¹ / ₈	9	7 ¹ / ₂	17 ⁵ / ₈	14 ¹ / ₂	13 ⁵ / ₁₆	11 ¹ / ₁₆	9 ¹ / ₁₆	12 ³ / ₈	11 ¹ / ₁₆	28 ¹ / ₂	6 ⁷ / ₈	9 ¹ / ₄	9 ⁷ / ₈	12 ¹ / ₄	4 ¹⁵ / ₁₆	29 ⁵ / ₈	9 ⁹ / ₁₆	18 ⁷ / ₈	12	10 ¹ / ₂	215T
11	19 ¹ / ₈	1 ¹¹ / ₁₆	3/8 X 3/16 X 5	22	1 ⁹ / ₁₆	11	9 ¹ / ₁₆	17	19 ³ / ₄	16 ¹ / ₂	13 ¹ / ₄	11 ³ / ₄	14 ⁷ / ₈	13 ³ / ₄	30	7 ⁵ / ₈	11 ¹ / ₄	11 ⁵ / ₈	14 ¹ / ₄	5 ¹¹ / ₁₆	31 ³ / ₁₆	9 ⁹ / ₁₆	22 ¹ / ₂	14	12 ¹ / ₁₆	254T
13	22 ⁵ / ₈	1 ¹⁵ / ₁₆	1/2 X 1/4 X 5	22	1 ⁹ / ₁₆	13	10 ¹ / ₂	17	19 ³ / ₄	19 ¹ / ₂	15 ⁵ / ₈	13 ⁷ / ₈	17 ⁹ / ₁₆	15 ⁷ / ₈	31	8 ³ / ₈	13 ¹ / ₄	13 ¹ / ₈	17 ¹ / ₄	6 ⁷ / ₁₆	32 ¹ / ₁₆	9 ⁹ / ₁₆	22 ¹ / ₁₆	17	14 ¹ / ₂	254T
15	26 ¹ / ₈	2 ³ / ₁₆	1/2 X 1/4 X 5	25 ¹ / ₂	1 ¹ / ₈	15	12 ¹ / ₈	22 ¹ / ₂	23 ¹ / ₄	22 ¹ / ₂	18 ¹ / ₈	16 ¹ / ₁₆	20 ⁵ / ₁₆	19 ¹ / ₁₆	36 ³ / ₁₆	9 ⁹ / ₁₆	15 ¹ / ₄	16 ¹ / ₄	19 ¹ / ₄	9 ³ / ₈	40 ⁷ / ₈	1 ¹ / ₁₆	25	19	16 ¹ / ₈	286T
17	29 ⁵ / ₈	2 ³ / ₁₆	1/2 X 1/4 X 5	27	1 ¹ / ₈	17	13 ³ / ₄	22 ¹ / ₂	24 ³ / ₄	25 ¹ / ₂	20 ⁵ / ₈	18 ⁵ / ₁₆	23 ¹ / ₁₆	21 ³ / ₈	37	11 ¹ / ₁₆	17 ¹ / ₄	17 ⁷ / ₈	21 ¹ / ₄	10 ⁹ / ₁₆	42 ³ / ₈	1 ¹ / ₁₆	28	21	17 ³ / ₄	324T
19	33	2 ⁷ / ₁₆	5/8 X 5/16 X 6	29	1 ¹ / ₈	19	15 ³ / ₈	24 ¹ / ₂	26 ³ / ₄	28 ¹ / ₂	22 ⁷ / ₈	20 ⁵ / ₁₆	25 ¹ / ₁₆	23 ³ / ₈	41 ³ / ₈	11 ¹³ / ₁₆	19 ¹ / ₄	20 ¹ / ₂	24 ¹ / ₄	11 ¹ / ₂	47	1 ¹ / ₁₆	31	24	20 ³ / ₈	365T
21	36 ¹ / ₂	2 ¹¹ / ₁₆	5/8 X 5/16 X 6	31 ¹ / ₂	1 ¹ / ₈	21	17	24 ¹ / ₂	29 ¹ / ₄	31 ¹ / ₂	25 ³ / ₈	22 ¹ / ₂	28 ⁷ / ₁₆	25 ⁹ / ₁₆	42 ³ / ₁₆	12 ⁵ / ₈	21 ¹ / ₄	22 ¹ / ₈	26 ¹ / ₄	12 ⁵ / ₁₆	48 ⁵ / ₈	1 ¹ / ₁₆	34	26	22	365T
23	40	2 ¹⁵ / ₁₆	3/4 X 3/8 X 7	36	1 ¹ / ₈	23	18 ⁵ / ₈	28 ¹ / ₂	33 ³ / ₄	34 ¹ / ₂	27 ³ / ₄	24 ⁵ / ₈	31 ¹ / ₈	28 ¹¹ / ₁₆	48	13 ¹⁵ / ₁₆	23 ¹ / ₄	24	27 ¹ / ₄	13 ³ / ₈	54 ³ / ₄	1 ¹ / ₁₆	37	28	23 ⁵ / ₈	405T
26	45 ¹ / ₈	2 ¹⁵ / ₁₆	3/4 X 3/8 X 7	42 ¹ / ₂	1 ¹ / ₈	26	20 ⁷ / ₈	28 ¹ / ₂	40 ¹ / ₄	39	31 ³ / ₈	27 ³ / ₄	35 ³ / ₈	31 ³ / ₄	49 ¹ / ₈	15 ¹ / ₈	26 ¹ / ₄	26 ¹ / ₄	30 ¹ / ₄	14 ¹ / ₂	57	1 ¹ / ₁₆	41 ¹ / ₂	31	25 ⁷ / ₈	405T
29	50 ¹ / ₂	3 ⁷ / ₁₆	7/8 X 7/16 X 7	49 ³ / ₄	1 ¹ / ₂	29	23 ¹ / ₄	31 ³ / ₄	44 ³ / ₄	43 ¹ / ₂	35	31	39 ¹ / ₄	35 ¹ / ₈	54 ⁷ / ₈	16 ⁵ / ₈	29 ¹ / ₄	30 ¹ / ₄	35 ¹ / ₄	16 ¹⁵ / ₁₆	64 ³ / ₈	1 ³ / ₁₆	46 ¹ / ₂	35	29 ¹ / ₄	405T

PEERLESS BLOWERS INDUSTRIAL FANS

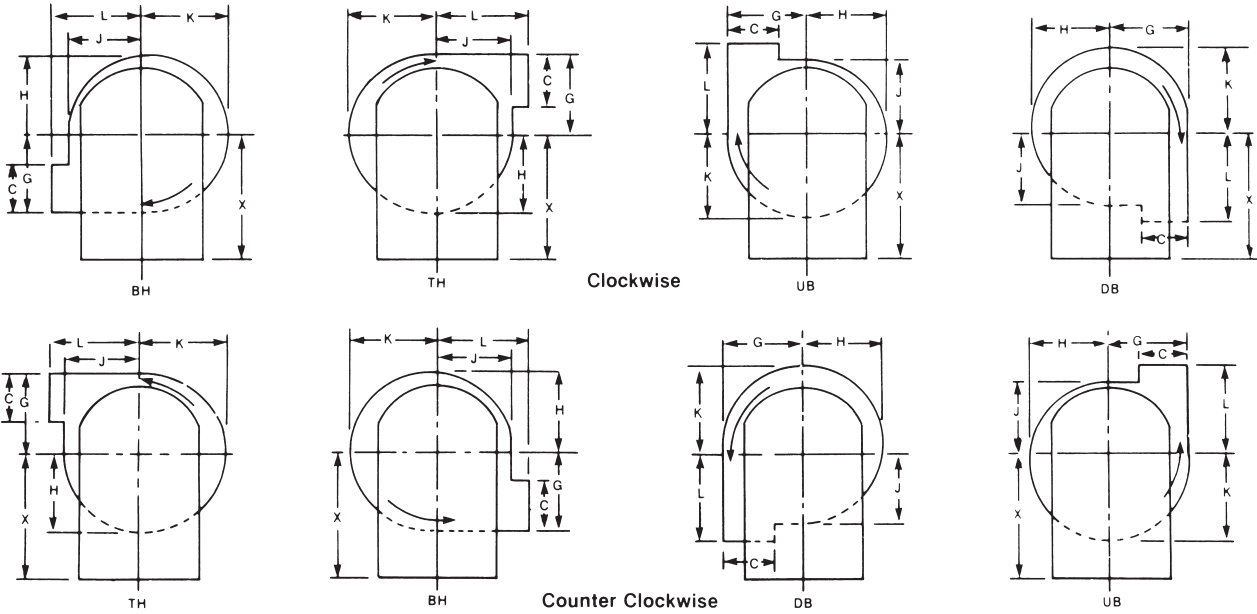
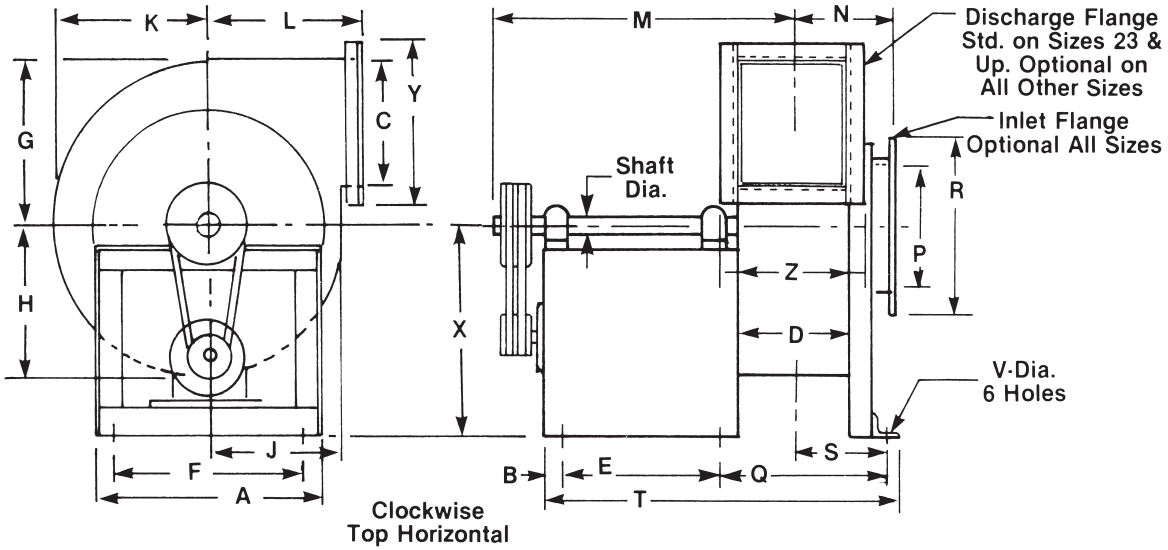
Standard Duty Construction — Arrangement #10



SIZE	WHEEL DIA.	SHAFT DIA.	KEYWAY	A	B	C	D	E	F	G	H	J	K	L	M	N	P	Q	R	S	T	V	X	Y	Z	MAX. MOTOR FRAME
7	12 ¹ / ₈	13 ¹ / ₁₆	1/4 X 1/8 X 3	18	1	7	6	13	16 ¹ / ₄	10 ⁵ / ₈	8 ⁹ / ₁₆	7 ⁵ / ₈	9 ⁵ / ₈	9 ⁵ / ₈	21 ³ / ₄	6 ¹ / ₈	7 ¹ / ₄	8 ³ / ₈	10 ¹ / ₄	4 ³ / ₁₆	23 ³ / ₈	9 ⁹ / ₁₆	16	10	9	184T
9	15 ⁵ / ₈	13 ⁹ / ₁₆	1/4 X 1/8 X 3 1/2	17 1/4	1	9	7 1/2	17 5/8	14 1/2	13 ⁵ / ₁₆	11 ¹ / ₁₆	9 ¹ / ₁₆	12 ³ / ₁₆	11 ¹ / ₁₆	28 1/2	6 ⁷ / ₈	9 1/4	9 ⁷ / ₈	12 1/4	4 ¹⁵ / ₁₆	29 1/2	9 ⁹ / ₁₆	18 ⁷ / ₈	12	10 1/2	215T
11	19 1/8	17 ¹ / ₁₆	3/8 X 3/16 X 5	21 5/8	1 3/8	11	9 1/16	17	19 3/4	16 1/2	13 1/4	11 3/4	14 7/8	13 3/4	30	7 5/8	11 1/4	11 5/8	14 1/4	5 ¹ / ₁₆	31	9 ⁹ / ₁₆	22 1/2	14	12 1/16	254T
13	22 5/8	11 ¹ / ₁₆	3/8 X 3/16 X 5	21 5/8	1 3/8	13	10 1/2	17	19 3/4	19 1/2	15 5/8	13 ⁷ / ₈	17 ⁹ / ₁₆	15 ⁷ / ₈	31	8 ³ / ₈	13 1/4	13 1/8	17 1/4	6 ⁷ / ₁₆	32 1/2	9 ⁹ / ₁₆	22 1/16	17	14 1/2	256T
15	26 1/8	1 ¹⁵ / ₁₆	1/2 X 1/2 X 5	25 1/2	7/8	15	12 1/8	22 1/2	23 1/4	22 1/2	18 1/8	16 1/16	20 ⁵ / ₁₆	19 1/16	36 ³ / ₁₆	9 ³ / ₈	15 1/4	16 1/4	19 1/4	9 ³ / ₈	40 1/2	11 ¹ / ₁₆	25	19	16 1/8	286T
17	29 5/8	1 ¹⁵ / ₁₆	1/2 X 1/4 X 5	27	7/8	17	13 3/4	22 1/2	24 3/4	25 1/2	20 5/8	18 5/16	23 1/16	21 3/8	37	11 1/16	17 1/4	17 7/8	21 1/4	10 ³ / ₁₆	42 1/8	11 ¹ / ₁₆	28	21	17 3/4	286T
19	33	2 ³ / ₁₆	1/2 X 1/4 X 6	29	7/8	19	15 3/8	24 1/2	26 3/4	28 1/2	22 ⁷ / ₈	20 ⁵ / ₁₆	25 1/16	23 ³ / ₈	41 3/8	11 ¹³ / ₁₆	19 1/4	20 1/2	24 1/4	11 1/2	46 3/4	11 ¹ / ₁₆	31	24	20 3/8	286T
21	36 1/2	2 ⁷ / ₁₆	5/8 X 5/16 X 6	31 1/2	7/8	21	17	24 1/2	29 1/4	31 1/2	25 3/8	22 1/2	28 7/16	25 9/16	42 3/16	12 ⁵ / ₈	21 1/4	22 1/8	26 1/4	12 ⁵ / ₁₆	48 3/8	11 ¹ / ₁₆	34	26	22	286T
23	40	2 ¹ / ₁₆	5/8 X 5/16 X 7	36	7/8	23	18 5/8	28 1/2	33 3/4	34 1/2	27 3/4	24 5/8	31 1/8	28 11/16	48	13 ¹⁵ / ₁₆	23 1/4	24	27 1/4	13 ³ / ₈	54 1/2	11 ¹ / ₁₆	37	28	23 5/8	365T
26	45 1/8	2 ¹ / ₁₆	5/8 X 5/16 X 7	42 1/2	7/8	26	20 7/8	28 1/2	40 1/4	39	31 3/8	27 3/4	35 5/16	31 3/4	49 1/8	15 1/8	26 1/4	26 1/4	30 1/4	14 1/2	56 3/4	11 ¹ / ₁₆	41 1/2	31	25 7/8	365T

PEERLESS BLOWERS INDUSTRIAL FANS

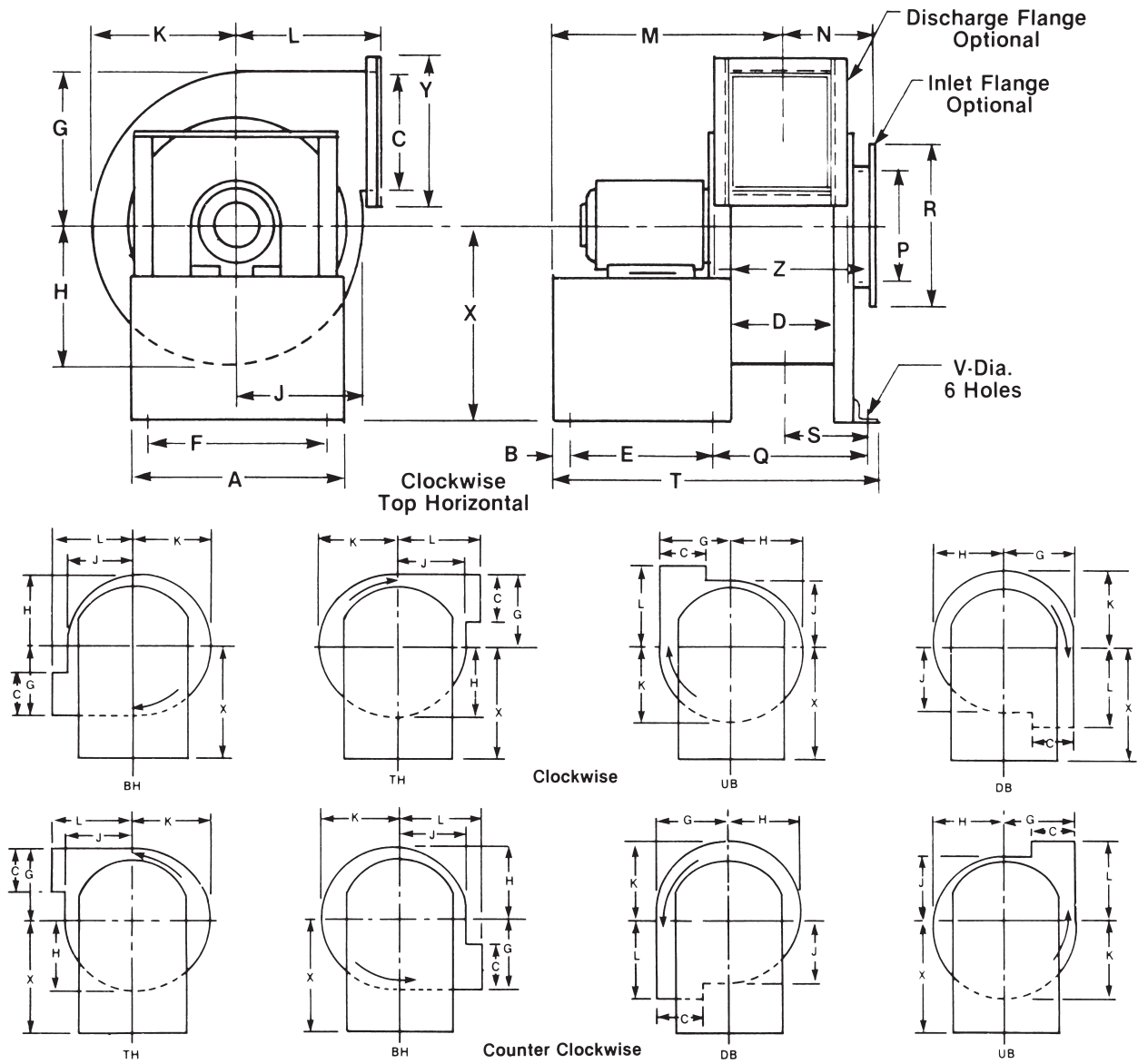
Heavy Duty Construction — Arrangement #10



SIZE	WHEEL DIA.	SHAFT DIA.	KEYWAY	A	B	C	D	E	F	G	H	J	K	L	M	N	P	Q	R	S	T	V	X	Y	Z	MAX. MOTOR FRAME
9	15 ⁵ / ₈	17 ¹ / ₁₆	3/8 X 3/16 X 3	17 ¹ / ₄	1	9	7 ¹ / ₂	17 ⁵ / ₈	14 ¹ / ₂	13 ⁵ / ₁₆	11 ¹ / ₁₆	9 ¹ / ₁₆	12 ³ / ₁₆	11 ¹ / ₁₆	28 ¹ / ₂	67 ⁷ / ₈	9 ¹ / ₄	97 ⁷ / ₈	12 ¹ / ₄	4 ⁵ / ₁₆	29 ¹ / ₂	9 ⁹ / ₁₆	187 ⁷ / ₈	12	10 ¹ / ₂	215T
11	19 ¹ / ₈	11 ¹ / ₁₆	3/8 X 3/16 X 5	21 ⁵ / ₈	1 ³ / ₈	11	9 ⁹ / ₁₆	17	19 ³ / ₄	16 ¹ / ₂	13 ¹ / ₄	11 ³ / ₄	147 ⁷ / ₈	13 ³ / ₄	30	7 ⁵ / ₈	11 ¹ / ₄	11 ⁵ / ₈	14 ¹ / ₄	5 ¹ / ₁₆	31	9 ⁹ / ₁₆	22 ¹ / ₂	14	12 ¹ / ₁₆	254T
13	22 ⁵ / ₈	1 ¹⁵ / ₁₆	1/2 X 1/4 X 5	21 ⁵ / ₈	1 ³ / ₈	13	10 ¹ / ₂	17	19 ³ / ₄	19 ¹ / ₂	15 ⁵ / ₈	13 ⁷ / ₈	17 ⁹ / ₁₆	15 ⁷ / ₈	31	8 ³ / ₈	13 ¹ / ₄	13 ¹ / ₈	17 ¹ / ₄	6 ⁷ / ₁₆	32 ¹ / ₂	9 ⁹ / ₁₆	22 ¹ / ₁₆	17	14 ¹ / ₂	256T
15	26 ¹ / ₈	2 ³ / ₁₆	1/2 X 1/4 X 5	25 ¹ / ₂	7 ⁷ / ₈	15	12 ¹ / ₈	22 ¹ / ₂	23 ¹ / ₄	22 ¹ / ₂	18 ¹ / ₈	16 ¹ / ₁₆	20 ⁵ / ₁₆	19 ¹ / ₁₆	36 ³ / ₁₆	9 ⁹ / ₁₆	15 ¹ / ₄	16 ¹ / ₄	19 ¹ / ₄	9 ³ / ₈	40 ¹ / ₂	11 ¹ / ₁₆	25	19	16 ¹ / ₈	286T
17	29 ⁵ / ₈	2 ³ / ₁₆	1/2 X 1/4 X 5	27	7 ⁷ / ₈	17	13 ³ / ₄	22 ¹ / ₂	24 ³ / ₄	25 ¹ / ₂	20 ⁵ / ₈	18 ⁵ / ₁₆	23 ¹ / ₁₆	21 ³ / ₈	37	11 ¹ / ₁₆	17 ¹ / ₄	177 ⁷ / ₈	21 ¹ / ₄	10 ³ / ₁₆	42 ¹ / ₈	11 ¹ / ₁₆	28	21	17 ³ / ₄	286T
19	33	2 ⁷ / ₁₆	5/8 X 5/16 X 6	29	7 ⁷ / ₈	19	15 ³ / ₈	24 ¹ / ₂	26 ³ / ₄	28 ¹ / ₂	22 ⁷ / ₈	20 ⁵ / ₁₆	25 ¹ / ₁₆	23 ³ / ₈	41 ³ / ₈	11 ¹³ / ₁₆	19 ¹ / ₄	20 ¹ / ₂	24 ¹ / ₄	11 ¹ / ₂	46 ³ / ₄	11 ¹ / ₁₆	31	24	20 ³ / ₈	286T
21	36 ¹ / ₂	2 ¹¹ / ₁₆	5/8 X 5/16 X 6	31 ¹ / ₂	7 ⁷ / ₈	21	17	24 ¹ / ₂	29 ¹ / ₄	31 ¹ / ₂	25 ³ / ₈	22 ¹ / ₂	28 ⁷ / ₁₆	25 ⁹ / ₁₆	42 ³ / ₁₆	12 ⁵ / ₈	21 ¹ / ₄	22 ¹ / ₈	26 ¹ / ₄	12 ⁵ / ₁₆	48 ³ / ₈	11 ¹ / ₁₆	34	26	22	286T
23	40	2 ¹⁵ / ₁₆	3/4 X 3/8 X 7	36	7 ⁷ / ₈	23	18 ⁵ / ₈	28 ¹ / ₂	33 ³ / ₄	34 ¹ / ₂	27 ³ / ₄	24 ⁵ / ₈	31 ¹ / ₈	28 ¹¹ / ₁₆	48	13 ¹⁵ / ₁₆	23 ¹ / ₄	24	27 ¹ / ₄	13 ³ / ₈	54 ¹ / ₂	11 ¹ / ₁₆	37	28	23 ⁵ / ₈	365T
26	45 ¹ / ₈	3 ⁷ / ₁₆	7/8 X 7/16 X 7	42 ¹ / ₂	7 ⁷ / ₈	26	20 ⁷ / ₈	28 ¹ / ₂	40 ¹ / ₄	39	31 ³ / ₈	27 ³ / ₄	35 ³ / ₁₆	31 ³ / ₄	49 ¹ / ₈	15 ¹ / ₈	26 ¹ / ₄	26 ¹ / ₄	30 ¹ / ₄	14 ¹ / ₂	56 ³ / ₄	11 ¹ / ₁₆	41 ¹ / ₂	31	25 ⁷ / ₈	365T

PEERLESS BLOWERS INDUSTRIAL FANS

Standard Duty Construction — Arrangement #4



SIZE	WHEEL DIA.	MOTOR FRAME SIZE		A	B	C	D	E	F	G	H	J	K	L	M	N	P	Q	R	S	T	V	X	Y	Z
		MAX.	MIN.																						
7	12 ¹ / ₈	184T	48	18	1	7	6	13	16 ¹ / ₄	10 ⁵ / ₈	8 ⁹ / ₁₆	7 ⁵ / ₈	9 ⁵ / ₈	9 ⁵ / ₈	18 ³ / ₁₆	6 ¹ / ₈	7 ¹ / ₄	8 ³ / ₈	10 ¹ / ₄	4 ³ / ₁₆	23 ³ / ₈	9 ¹ / ₁₆	12 ³ / ₄	10	9
9	15 ⁵ / ₈	184T	48	16 ¹ / ₂	1 ⁵ / ₁₆	9	7 ¹ / ₂	12 ¹ / ₄	14 ¹ / ₂	13 ⁵ / ₁₆	11 ¹ / ₁₆	9 ¹¹ / ₁₆	12 ³ / ₈	11 ¹¹ / ₁₆	18 ¹ / ₈	6 ⁷ / ₈	9 ¹ / ₄	11 ⁵ / ₈	12 ¹ / ₄	7 ¹ / ₁₆	26 ¹ / ₁₆	9 ⁹ / ₁₆	15 ³ / ₄	12	10 ¹ / ₂
11	19 ¹ / ₈	215T	48	18 ¹ / ₂	1 ⁵ / ₁₆	11	9 ¹ / ₁₆	16 ¹ / ₄	16 ¹ / ₂	16 ¹ / ₂	13 ¹ / ₄	11 ³ / ₄	14 ⁷ / ₈	13 ³ / ₄	22 ¹⁵ / ₁₆	7 ⁵ / ₈	11 ¹ / ₄	13 ¹ / ₄	14 ¹ / ₄	7 ⁷ / ₈	31 ⁵ / ₈	9 ⁹ / ₁₆	19	14	12 ¹ / ₁₆
13	22 ⁵ / ₈	256T	56	19 ¹ / ₄	1 ⁵ / ₁₆	13	10 ¹ / ₂	18 ¹ / ₄	17 ¹ / ₄	19 ¹ / ₂	15 ⁵ / ₈	13 ⁷ / ₈	17 ⁹ / ₁₆	15 ⁷ / ₈	25 ⁵ / ₈	8 ³ / ₈	13 ¹ / ₄	14 ⁵ / ₈	17 ¹ / ₄	8 ⁹ / ₁₆	35 ¹ / ₁₆	9 ⁹ / ₁₆	22	17	14 ¹ / ₂
15	26 ¹ / ₈	256T	143T	25 ¹ / ₂	1 ³ / ₈	15	12 ¹ / ₈	20 ¹ / ₄	23 ¹ / ₄	22 ¹ / ₂	18 ¹ / ₈	16 ¹ / ₁₆	20 ⁵ / ₁₆	19 ¹ / ₁₆	28 ¹ / ₂	9 ³ / ₁₆	15 ¹ / ₄	16 ¹ / ₄	19 ¹ / ₄	9 ³ / ₈	38 ³ / ₄	11 ¹ / ₁₆	25	19	16 ¹ / ₈
17	29 ⁵ / ₈	284T	182T	27	1 ¹ / ₈	17	13 ³ / ₄	22 ¹ / ₂	24 ³ / ₄	25 ¹ / ₂	20 ⁵ / ₈	18 ⁵ / ₁₆	23 ¹ / ₁₆	21 ³ / ₈	30 ¹¹ / ₁₆	11 ¹ / ₁₆	17 ¹ / ₄	17 ⁷ / ₈	21 ¹ / ₄	10 ³ / ₁₆	42 ³ / ₈	11 ¹ / ₁₆	28	21	17 ³ / ₄
19	33	286T	213T	29	1 ³ / ₈	19	15 ⁵ / ₈	22 ³ / ₄	26 ³ / ₄	28 ¹ / ₂	22 ⁷ / ₈	20 ⁵ / ₁₆	25 ¹¹ / ₁₆	23 ³ / ₈	35 ¹ / ₈	11 ¹³ / ₁₆	19 ¹ / ₄	20 ¹ / ₂	24 ¹ / ₄	11 ¹ / ₂	45 ¹ / ₂	11 ¹ / ₁₆	31	24	20 ³ / ₈
21	36 ¹ / ₂	286T	213T	31 ¹ / ₂	1 ¹ / ₈	21	17	22 ³ / ₄	29 ¹ / ₄	31 ¹ / ₂	25 ³ / ₈	22 ¹ / ₂	28 ⁷ / ₁₆	25 ⁹ / ₁₆	35 ¹⁵ / ₁₆	12 ⁵ / ₈	21 ¹ / ₄	22 ¹ / ₈	26 ¹ / ₄	12 ⁵ / ₁₆	47 ¹ / ₈	11 ¹ / ₁₆	34	26	22

MATERIAL SPECIFICATIONS

Standard Duty Construction

MODEL NUMBER	WHEEL DIAMETER	STD. SHAFT & BRGS. DIAMETER	HOUSING GAUGE		WHEEL GAUGE			
			BAND	FACE	BACKPLATE	BLADE	SHROUD	REIN. RING
					A, M & L	A, M & L	A & M	A
7	12 ¹ / ₈	1 ³ / ₁₆	12	12	7	7	—	—
9	15 ⁵ / ₈	1 ³ / ₁₆	12	12	7	7	10	10
11	19 ¹ / ₈	1 ⁷ / ₁₆	12	12	7	7	10	10
13	22 ⁵ / ₈	1 ¹¹ / ₁₆	12	12	7	7	10	10
15	26 ¹ / ₈	1 ¹⁵ / ₁₆	12	12	7	7	10	10
17	29 ⁵ / ₈	1 ¹⁵ / ₁₆	12	10	1/4	7	7	10
19	33	2 ³ / ₁₆	12	10	1/4	7	7	7
21	36 ¹ / ₂	2 ⁷ / ₁₆	12	10	5/16	7	7	7
23	40	2 ¹¹ / ₁₆	10	10	5/16	7	7	7
26	45 ¹ / ₈	2 ¹¹ / ₁₆	10	7	3/8	1/4	7	7
29	50 ¹ / ₂	2 ¹⁵ / ₁₆	10	7	3/8	1/4	7	1/4
33	57 ¹ / ₂	3 ⁷ / ₁₆	7	7	1/2	5/16	7	1/4

Heavy Duty Construction

MODEL NUMBER	WHEEL DIAMETER	SHAFT & BRGS. DIAMETER	HOUSING GAUGE		WHEEL GAUGE		
			BAND	FACE	BACKPLATE	BLADE	SHROUD
					M	M	M
9	15 ⁵ / ₈	1 ⁷ / ₁₆	10	10	7	7	10
11	19 ¹ / ₈	1 ¹¹ / ₁₆	10	10	7	7	10
13	22 ⁵ / ₈	1 ¹⁵ / ₁₆	10	10	1/4	7	10
15	26 ¹ / ₈	2 ³ / ₁₆	10	10	1/4	7	10
17	29 ⁵ / ₈	2 ³ / ₁₆	10	7	5/16	1/4	7
19	33	2 ⁷ / ₁₆	10	7	5/16	1/4	7
21	36 ¹ / ₂	2 ¹¹ / ₁₆	10	7	3/8	1/4	7
23	40	2 ¹⁵ / ₁₆	7	7	3/8	1/4	7
26	45 ¹ / ₈	3 ⁷ / ₁₆	7	1/4	1/2	5/16	1/4
29	50 ¹ / ₂	3 ⁷ / ₁₆	7	1/4	1/2	5/16	1/4
33	57 ¹ / ₂	3 ¹⁵ / ₁₆	1/4	1/4	5/8	3/8	1/4

Rotatable Discharge

Size 07 through Size 33 are bolted side plate to bearing support, and may be rotated in the field to any one of the standard discharge positions. Increments of rotation are as follows:

Size 07	Through 17	—	22 ¹ / ₂ °
Size 19	Through 23	—	15°
Size 26	Through 33	—	11 ¹ / ₄ °

Wheel Weights with WR² in Lbs. Ft² for Wheel and Shaft

TYPE		9	11	13	15	17	19	21	23	26	29	33
"M"	WEIGHT	20	44	58	69	112	152	213	280	395	508	800
	WR ²	6.4	13.7	25.3	40	84	141	241	381	537	1102	2250
"A"	WEIGHT	39	57	69	93	142	176	265	302	439	562	926
	WR ²	12.4	17.7	30	54	106	199	300	411	597	1219	2604

SAMPLE SPECIFICATION INDUSTRIAL FANS

Fans to be Peerless Blower Model (A,L, or M), belt drive, of the arrangement indicated. Fans to be constructed of heavy gauge steel and coated with a baked polyester coating over phosphatize-cleaned steel. The finish color to be gray. All fans to be checked for balance by a portable electronic balancing unit, while operating at the specified fan RPM.

Wheels and Housings

The housings to have inlet diameters and outlet areas in accordance with the latest AMCA standards for Industrial Fans. All housings to be constructed of prime steel plate, continuous welded, and rigidly braced.

The wheel types shall be:

Type M – Heavy plate steel, all welded and dynamically balanced. Suitable for efficient handling of air containing granular materials, sawdust, grain, dust and particle-laden industrial process air or gas.

Type L – Constructed the same as the Type M wheel, but with no front plate. Heavy plate steel, all welded and dynamically balanced. Suitable for wood shavings, paper strips, textile scraps, wood and ensilage.

Type A – Heavy plate steel, all welded and dynamically balanced. Suitable for higher efficiency air handling of fumes, gases, or air containing fine particles.

Bearings

The bearings are to have a L-50 life of 100,000 average life hours and are to be either single row ball bearings, double roller spherical roller one-piece and two-piece housings. All bearings to have grease fittings for re-lubrication.

Motor and Drives

Motors shall be T-frame, 1800 or 3600 RPM, Open Drip Proof (ODP) Total Enclosed Fan Cooled (TEFC), or Explosion Proof (EXP). All drive belts and sheaves shall be sized for a service factor of 1.5.

Accessories

Accessories include weather covers, belt guards, access doors, drain, inlet flange, outlet flange, companion flanges, screens, spark resistant construction, dampers, and vibration isolation.

Serving Your Industrial Fans Needs...

PEERLESS BLOWERS...Your Clean Air Source!



Useful Conveying Data

MATERIAL	AVG. CONVEYING VELOCITY, F.P.M.	APPROX. DENSITY LBS. PER CU. FT	SUCTION PICKUP INCHES WATER
BARLEY	5500	38	3.5
BEANS	5000	28	3.0
BRAN	3200	16	2.0
CEMENT	7000	100	5.0
CINDERS	6000	45	4.0
COAL DUST	4000	55	3.0
COFFEE BEANS	4500	26	3.0
CORK GROUND	3000	14	1.5
CORN COBS	5500	25	2.5
CORN SHELLED	5500	45	3.5
COTTON	3500	5	2.0
FEATHERS	3000	5	1.5
FRUIT DRIED	4000	30	3.0
GRINDING DUST	4500	30	2.0
HAIR	3000	5	1.5
LIME	5500	30	3.0
LINT	2000	5	1.0
MALT	4500	35	3.0
PAPER, SHREDED	5000	20	3.0
RAGS	4000	30	2.5
RUBBER DUST	4000	30	3.0
SAND	7000	105	5.0
SANDBLAST DUST	5000	45	3.5
SAWDUST	3500	12	2.5
TANBARK	3500	20	2.5
WHEAT	6000	46	4.0
WOOD SHAVINGS	3500	15	3.0
WOOL	4000	5	2.0

Areas and Circumferences of Circles

DIA. IN.	AREA		CIRCUMFERENCE		DIA. IN.	AREA		CIRCUMFERENCE	
	SQ. IN.	SQ. FT.	IN.	FT.		SQ. IN.	SQ. FT.	IN.	FT.
1	0.78	0.005	3.14	0.262	51	2043	14.19	160.2	13.35
2	3.14	0.002	6.28	0.524	52	2124	14.75	163.4	13.61
3	7.07	0.049	9.42	0.785	53	2206	15.32	166.5	13.88
4	12.57	0.087	12.57	1.047	54	2290	15.90	169.6	14.14
5	19.63	0.136	15.71	1.309	55	2376	16.50	172.8	14.40
6	28.27	0.196	18.85	1.571	56	2463	17.10	175.9	14.66
7	38.48	0.267	21.99	1.833	57	2552	17.72	179.1	14.92
8	50.27	0.349	25.13	2.094	58	2642	18.35	182.2	15.18
9	63.62	0.442	28.27	2.356	59	2734	18.99	185.4	15.45
10	78.54	0.545	31.42	2.618	60	2827	19.63	188.5	15.71
11	95.03	0.660	34.56	2.880	61	2922	20.29	191.6	15.97
12	113.10	0.785	37.70	3.142	62	3019	20.97	194.8	16.23
13	132.73	0.922	40.84	3.403	63	3117	21.65	197.9	16.49
14	153.94	1.069	43.98	3.665	64	3217	22.34	201.1	16.76
15	176.71	1.227	47.12	3.927	65	3318	23.04	204.2	17.02
16	201.06	1.396	50.26	4.189	66	3421	23.76	207.3	17.28
17	226.98	1.576	53.41	4.451	67	3526	24.48	210.5	17.54
18	254.47	1.767	56.55	4.712	68	3632	25.22	213.6	17.80
19	283.53	1.969	59.69	4.974	69	3739	25.97	216.8	18.06
20	314.16	2.182	62.83	5.236	70	3848	26.73	219.9	18.33
21	346.36	2.405	65.97	5.498	71	3959	27.49	223.1	18.59
22	380.13	2.640	69.11	5.760	72	4070	28.27	226.2	18.85
23	415.48	2.885	72.26	6.021	73	4185	29.07	229.3	19.11
24	452.39	3.142	75.40	6.283	74	4301	29.87	232.5	19.37
25	490.87	3.409	78.54	6.545	75	4418	30.68	235.6	19.63
26	530.90	3.690	81.70	6.810	76	4536	31.50	238.8	19.90
27	572.60	3.980	84.80	7.077	77	4657	32.34	241.9	20.16
28	615.70	4.280	88.00	7.330	78	4778	33.18	245.0	20.42
29	660.50	4.590	91.10	7.590	79	4902	34.04	248.2	20.68
30	706.90	4.910	94.20	7.850	80	5026	34.91	251.3	20.94
31	754.80	5.240	97.40	8.120	81	5153	35.78	254.5	21.21
32	804.20	5.580	100.50	8.380	82	5281	36.67	257.6	21.47
33	855.30	5.940	103.70	8.640	83	5411	37.57	260.8	21.73
34	907.90	6.300	106.90	8.900	84	5542	38.48	263.9	21.99
35	962.10	6.680	110.00	9.160	85	5674	39.41	267.0	22.25
36	1017.90	7.070	113.10	9.420	86	5809	40.34	270.2	22.51
37	1075.20	7.470	116.20	9.690	87	5954	41.28	273.3	22.78
38	1134.10	7.880	119.40	9.950	88	6082	42.24	276.5	23.04
39	1194.60	8.300	122.50	10.210	89	6221	43.20	279.6	23.30
40	1256.60	8.730	125.70	10.470	90	6362	44.18	282.7	23.56
41	1320.30	9.170	128.80	10.730	91	6504	45.17	285.9	23.82
42	1385.40	9.620	131.90	10.990	92	6648	46.16	289.0	24.09
43	1452.20	10.080	135.10	11.260	93	6793	47.17	292.2	24.35
44	1520.50	10.560	138.20	11.520	94	6940	48.19	295.3	24.61
45	1590.40	11.040	141.40	11.780	95	7088	49.22	298.5	24.87
46	1661.90	11.540	144.50	12.040	96	7238	50.27	301.6	25.13
47	1734.90	12.050	147.70	12.300	97	7390	51.32	304.7	25.39
48	1809.60	12.570	150.80	12.570	98	7543	52.38	307.9	25.66
49	1885.70	13.100	153.90	12.830	99	7698	53.46	311.0	25.92
50	1963.50	13.610	157.10	13.090	100	7854	54.54	314.2	26.18

Friction Loss in Inches of Water Per 100 Feet Round Duct

PIPE DIA.	4"		5"		6"		7"		8"		10"		12"		14"		16"		18"		20"		22"		24"		30"	
	CFM	FL	CFM	FL	CFM	FL	CFM	FL	CFM	FL	CFM	FL	CFM	FL	CFM	FL	CFM	FL	CFM	FL	CFM	FL	CFM	FL	CFM	FL	CFM	FL
2000	175	1.8	273	1.4	393	1.1	535	0.9	698	0.77	1092	0.58	1571	0.47	2140	0.38	2790	0.33	3540	0.28	4370	0.25	5280	0.22	6280	0.20	9818	0.15
2200	192	2.2	300	1.6	432	1.3	588	1.1	768	0.93	1200	0.70	1728	0.56	2350	0.46	3070	0.38	3890	0.33	4810	0.30	5810	0.27	6920	0.24	10810	0.18
2400	209	2.6	327	1.9	472	1.6	642	1.3	838	1.10	1310	0.82	1885	0.65	2565	0.54	3350	0.46	4240	0.40	5230	0.35	6330	0.32	7550	0.28	11800	0.22
2600	227	3.0	355	2.3	511	1.8	695	1.5	909	1.30	1420	0.96	2040	0.77	2780	0.64	3630	0.54	4600	0.47	5680	0.41	6870	0.37	8180	0.33	12780	0.25
2800	245	3.4	382	2.7	550	2.1	748	1.7	977	1.50	1530	1.10	2200	0.87	2990	0.73	3910	0.63	4950	0.54	6110	0.47	7390	0.43	8800	0.38	13760	0.29
3000	262	3.9	409	3.0	588	2.4	802	2.0	1048	1.70	1638	1.30	2355	1.10	3210	0.84	4180	0.71	5310	0.63	6550	0.54	7920	0.48	9430	0.44	14720	0.33
3200	279	4.5	437	3.3	628	2.7	855	2.3	1118	1.90	1748	1.40	2510	1.20	3420	0.95	4470	0.82	5660	0.70	6980	0.62	8450	0.55	10060	0.49	15710	0.37
3400	297	5.0	464	3.8	668	3.1	910	2.6	1188	2.20	1855	1.60	2670	1.30	3630	1.10	4750	0.92	6020	0.78	7430	0.69	8970	0.62	10700	0.56	16700	0.42
3600	314	5.6	492	4.3	707	3.4	962	2.8	1258	2.40	1965	1.80	2825	1.40	3840	1.20	5025	1.00	6370	0.87	7860	0.77	9500	0.68	11320	0.62	17700	0.47
3800	332	6.2	518	4.8	746	3.8	1018	3.2	1327	2.70	2070	2.00	2985	1.60	4060	1.30	5300	1.10	6720	0.97	8300	0.86	10050	0.76	11950	0.68	18680	0.53
4000	350	6.9	546	5.3	786	4.3	1070	3.5	1396	2.90	2184	2.20	3142	1.80	4280	1.50	5580	1.30	7080	1.10	8740	0.95	10560	0.84	12560	0.76	19640	0.58
4200	367	7.8	573	5.8	825	4.8	1125	3.9	1467	3.20	2290	2.50	3300	2.00	4400	1.60	5870	1.40	7430	1.20	9170	1.10	11100	0.96	13210	0.88	20620	0.66
4400	384	8.8	600	6.4	864	5.4	1176	4.4	1536	3.70	2400	2.80	3456	2.20	4700	1.80	6140	1.50	7780	1.30	9620	1.20	11620	1.10	13840	0.96	21620	0.72
4800	418	10.0	654	7.6	944	6.4	1284	5.2	1676	4.40	2620	3.30	3770	2.60	5130	2.20	6700	1.80	8480	1.60	10460	1.40	12660	1.30	15100	1.10	23600	0.88
5200	454	12.0	710	9.2	1022	7.2	1390	6.0	1818	5.20	2840	3.80	4080	3.10	5560	2.60	7260	2.20	9200	1.90	11360	1.60	13740	1.50	16360	1.30	25560	1.00
5600	490	14.0	764	11.0	1100	8.4	1496	6.8	1954	6.00	3060	4.40	4400	3.50	5980	2.90	7820	2.50	9900	2.20	12220	1.90	14780	1.70	17600	1.50	27520	1.20
6000	524	16.0	818	13.0	1176	9.6	1604	8.0	2096	6.80	3276	4.90	4710	3.80	6420	3.20	8360	2.70	10620	2.30	13100	2.10	15820	1.80	18860	1.70	29440	1.30
7000	611	21.0	955	17.0	1375	13.0	1873	11.0	2445	8.60	3820	6.60	5500	5.30	7470	4.40	9770	3.70	12380	3.20	15300	2.80	18480	2.50	22000	2.30	34400	1.70

ENGINEERING DATA

Gauges of Sheet Metal

DUCT DIAMETER INCHES	SYSTEMS CARRYING DUST	SYSTEMS CARRYING NON-CORROSIVE GASES AND VAPORS
	U.S. STANDARD GAUGE	
8 AND UNDER	20	24
9 TO 18	18	22
19 TO 30	16	20
31 AND OVER	14	18

Equivalent Pressures

OZ. PER SQ. IN.	LBS. PER SQ. IN.	IN. OF WATER	IN. OF MERCURY	OZ. PER SQ. IN.	LBS. PER SQ. IN.	IN. OF WATER	IN. OF MERCURY
1	0.0625	1.7320	0.1276	12	0.7500	20.7842	1.5306
2	0.1250	3.4640	0.2551	13	0.8125	22.5162	1.6582
3	0.1875	5.1960	0.3827	14	0.8750	24.2483	1.7857
4	0.2500	6.9280	0.5102	15	0.9375	25.9803	1.9133
5	0.3125	8.6600	0.6378	16	1.0000	27.7123	2.0408
6	0.3750	10.3921	0.7653	18	1.1250	31.1763	2.2959
7	0.4375	12.1241	0.8929	20	1.2500	34.6404	2.5510
8	0.5000	13.8561	1.0204	24	1.5000	41.5684	3.0612
9	0.5625	15.5882	1.1480	28	1.7500	48.4965	3.5714
10	0.6250	17.3202	1.2755	32	2.0000	55.4246	4.0816
11	0.6875	19.0522	1.4030				

U.S. AND METRIC UNITS USED IN FAN APPLICATIONS

PRESSURE						
U.S. SYSTEM			METRIC			
psi	"WG	"Hg	N/m ² *	mmWG	mmHg	atm
1	27.736	2.036	6894.7	704.49	51.714	0.06805
0.03605	1	0.07341	248.36	25.4	1.8628	0.00245
0.49116	13.623	1	3386.4	346.02	25.4	0.03342
0.000145	0.00403	0.000295	1	0.10219	0.0075	0.0000098
0.00142	0.03937	0.00289	9.7863	1	0.07341	0.00009661
0.01934	0.53632	0.03937	133.32	13.623	1	0.001316
14.696	407.61	29.92	101325	10353	760	1

WG at 70°F or 21.11°C

Hg at 32°F or 0° C

*1 Pascals = 1 N/m²

VOLUME FLOW			
U.S. SYSTEM		METRIC	
cfm	m ³ /sec	m ³ /min	m ³ /hr
1	0.000472	0.02832	1.699
2118.9	1	60	3600
35.314	0.01667	1	60
0.58858	0.0002887	0.01667	1

VELOCITY		POWER			TEMPERATURE
U.S. SYSTEM	METRIC	U.S. SYSTEM	METRIC		
fpm	m/sec	hp	W	kW	
1	0.00508	1	745.70	.7457	°F = (9/5°C + 32°) °C = 5/9 (°F - 32°)
196.85	1	0.00134	1	0.001	
		1.341	1000	1	

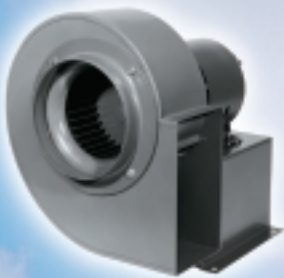
SYMBOL	DEFINITION
atm	atmospheres
°C	degrees Celsius
cfm	cubic feet per minute
°F	degrees Fahrenheit
fpm	feet per minute
Hg	mercury

SYMBOL	DEFINITION
hp	horsepower
hr	hours
kW	kilowatts
m	meters
mm	millimeters
min	minutes

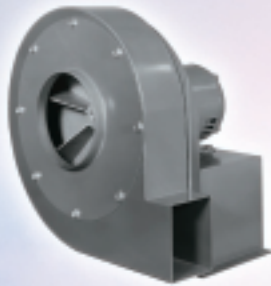
SYMBOL	DEFINITION
N	newtons
psi	pounds per square inch
sec	seconds
W	watts
WG	water gauge

PEERLESS BLOWERS... Your Clean Air Source!

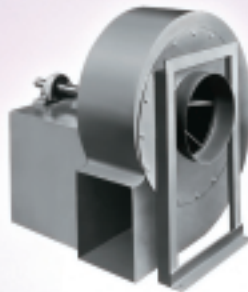
Supplier of Quality Products for Industry:



Direct Drive Fans



Pressure Blowers



Industrial Fans



Direct Drive Exhaust Fans



In-Line Centrifugal Fans



Backward Inclined Belt Drive Blowers



Belt Drive Propeller Fans



Powerfoil Fans



Plug-Pak Fans



Forward Curve Belt Drive Fans



PEERLESS BLOWERS

One Madison Avenue, P.O. Box 187
Hot Springs, NC 28743-0187
828/622-7500 • 1-800/613-4766 • Fax: 828/622-3309

www.peerlessblowers.com

E-Mail: sales@peerlessblowers.com



Registered
to ISO 9001